

The Caple logo, consisting of a red stylized 'C' icon followed by the word 'caple' in a lowercase, sans-serif font.

KITCHEN APPLIANCE
COLLECTION 2016





CONTENTS

- 004 Introducing Caple
- 010 Sense Premium Range
- 014 Sense Range
- 018 Classic Range

2

COOKING

3

- 026 Ovens
- 052 Steam Ovens
- 058 Microwaves
- 066 Coffee Machines
- 072 Companion Products
- 074 Warming and Storage Drawers
- 080 Range Cookers
- 086 Hobs
- 118 Extraction
- 180 Splashbacks

COOLING

- 192 Freestanding Refrigeration
- 208 Integrated Refrigeration
- 218 Wine Cabinets

WASHING

- 248 Dishwashers
- 258 Washing Machines
- 260 Washer Dryers
- 262 Tumble Dryers

- 264 Food Waste Disposal
- 266 Venting
- 268 Installation Diagrams
- 298 Guarantee Information

MAKING FUNCTIONALITY FASHIONABLE

Beautiful, functional and technically advanced, Caple appliances are central to the concept of a contemporary kitchen. From super sleek induction hobs to discretely effective cooker hoods, whisper quiet dishwashers and smart [in every sense] wine cabinets, they cater for every lifestyle.

Chef, entertainer, home maker? Whatever your passion Caple provides the inspiration to carry it off with exceptional style. Our range offers the depth and versatility to seamlessly slot into your kitchen, whatever its design or layout. Discover exciting new ways to cook, cool or wash, but above all, bring out the beating heart of your home.



STAND OUT OR BLEND IN. IT'S YOUR CHOICE



Freestanding appliances for focal points or integrated ones for that seamless, minimalist look? Whichever meets your design brief Caple can offer you an array of options.

FREESTANDING

For a more spontaneous look, our freestanding ranges can be used to stunning effect. Mix and match appliances like our spacious 'A+' rated French door fridge freezers or elegant range cookers. Our freestanding dishwashers are also high on performance and striking in looks.

FULLY-INTEGRATED

Our integrated appliances blend in beautifully and are immensely practical. From concealed refrigerators and dishwashers to washing machines and dryers, they can be hidden away when you don't need them, but are instantly on-hand when you do.



1. French Door Fridge Freezer, CAFF30 [p.194]

2. Dual Fuel Double Cavity Range Cooker, CR9209 [p.83]



6

7

INTRODUCING CAPLE

PERFORMANCE. GUARANTEED.




FREE YEAR 2

GUARANTEE
PARTS & LABOUR

Naturally, every Caple product is designed with performance and reliability built in. However, for your complete peace of mind, we offer a free two-year guarantee on parts and labour. Read more about our extended guarantees on p.298.

SAVE ENERGY. PROTECT THE ENVIRONMENT

We use advanced technology to make our appliances highly energy efficient, reducing harmful emissions and cutting your bills in the process. Our  icon, denotes our A, A+, A++ or A+++ energy rated appliances.

Energy ratings, as shown here, make it easy to compare different electric products. Watch out for double ovens, as ovens of different sizes will each have different energy ratings. Washing machines have extra ratings so you can compare wash performance and spin efficiency. Dishwashers also have separate ratings for washing and drying performance.



ALL QUIET IN THE KITCHEN

We take special care to make sure our appliances never intrude on your peace in the kitchen. In fact, we have a range dedicated to low-noise and high-performance. It includes dishwashers, large side-by-side fridge freezers and whisper-quiet wine cabinets.



SENSE PREMIUM RANGE

10

11

As its name suggests, our Sense Premium range **SP** is for those who demand the finest cooking experience – both in terms of performance and style.

Every Sense Premium product has been manufactured to the finest tolerances, using cutting-edge technology and ingenious ideas. The result is a range of appliances that are effortless to use and simply sensational to look at.

SENSE PREMIUM RANGE



A STYLISH FINISHING TOUCH.

With two stunning finishes – classic stainless steel and ultra contemporary white glass – Sense Premium has a look that will match your kitchen beautifully.

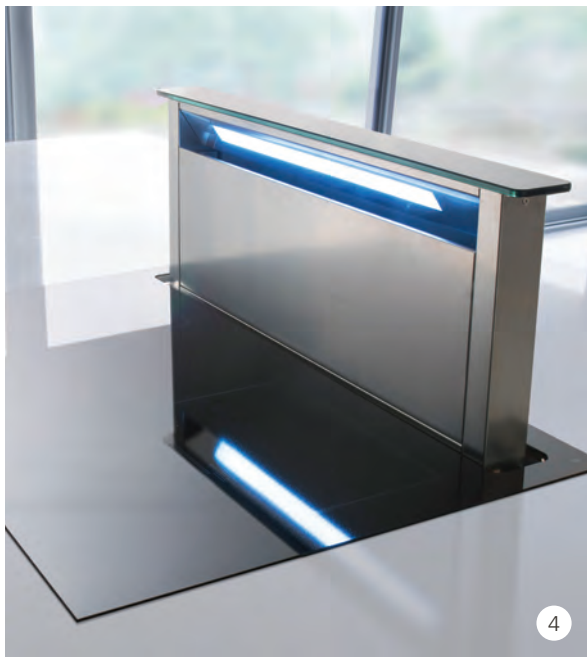
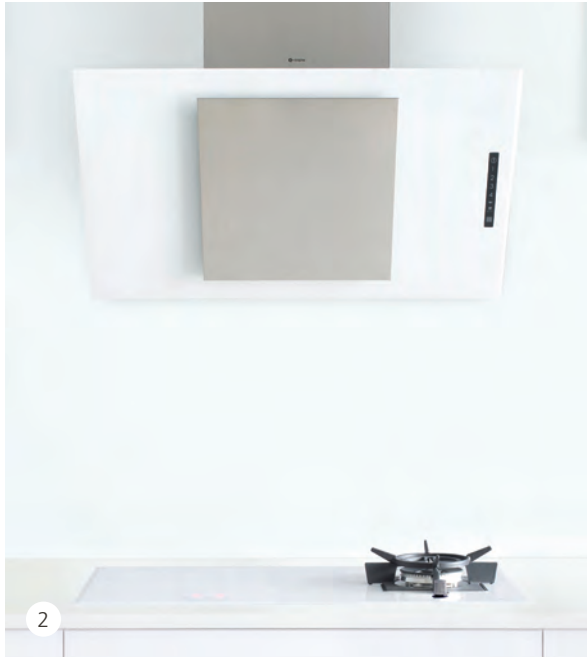
All our finishes add high style to the unparalleled performance of our collection. For discerning cooks our ovens offer professional standard functionality, while our built-in coffee machines, wine cabinets and television are the ultimate expression of a must-have lifestyle.

Even though Caple have designed and produced three extensive ranges of appliances they all carry the same Caple “Design ethos”. This means that you don’t have to adhere to just one of the ranges when planning your kitchen. You can readily match across the product ranges bringing together Classic with Sense and Sense Premium to create a unique kitchen that perfectly reflects your taste.



1





PRACTICALLY PERFECT, PERFECTLY PRACTICAL.

The Sense Premium range is pushing the boundaries of kitchen appliance design to create beautiful, highly functional products.

Skilled engineering, ingenious touches, breath-taking looks, cutting-edge technology... you can enjoy them all with this class-leading range.

1. Electric Single Oven, C2160 [p.44]
2. Wall Chimney Hood, ZZ901WH [p.161]
3. Coffee Machine, CM471WH [p.70]
4. Induction Downdraft Hood, DD931BK [p.126]
5. Built-In Stainless Steel TV, TV471 [p.73]



12

13

SENSE PREMIUM RANGE





14

15

SENSE RANGE

SENSE RANGE

Designed to work seamlessly together, the Sense range of appliances give you sleek design, the latest technology, as well as effortless performance and control.

With dramatic black glass, sharp lines and precision-crafted stainless steel, they turn heads in any kitchen. At the same time, smart thinking and intelligent solutions deliver the ultimate in easy functionality.

WORKING HARDER SO YOU DON'T HAVE TO.



1. Wine Cabinet, WF1549 [p.239]
2. Built-in Microwave and Grill, CM2400 [p.63],
Electric Pyrolytic Single Oven, C2472 [p.46]
3. Induction Hob, C900i [p.93]
4. Storage Drawer, SD1356 [p.78]

In our Sense range beauty runs more than skin deep. It's apparent in the smart touches and ideas that make using our appliances such a joy.

You'll find fingertip touch controls for crisp styling and ease of use. An advanced cooling system in our wine cabinets helps you store any drink at the perfect temperature. Our steam ovens use steam injection to give you precise temperature consistency. While our warming drawers store your tableware so it's neither too hot nor too cold.

Performance, functionality, control.
It all makes perfect Sense.



A SEAMLESS FIT

Every aspect of the Sense range has been designed with precision. From the modular system that allows different appliances to fit neatly side by side, to steam ovens with electronic programming and coffee machines that remember exactly how you like your drink. It all comes together beautifully.



CLASSIC RANGE

Whether cooking, washing or cooling, our Classic range marries hard working functionality with an understated style.

This collection focuses on making your life easier, providing superb all-round performance, high build quality and a smart, minimal design. Complementing any kitchen, it provides a no frills approach yet still puts seriously clever technology into the heart of your home.





18

19

CLASSIC RANGE



1

Offering a host of appliances, our range meets your every need with products that are beautifully complementary.

From range cookers built to feed the hungriest families, to the most versatile microwaves and heavy-duty dishwashers, we can provide you with high performance appliances that you can feel at home with.

A PROVEN CLASSIC.



IT'S ALL IN THE DETAIL

With Classic you'll appreciate the finer details as much as the overall picture.

For instance, warming drawers and wine cabinets that regulate their own temperatures; double glazed oven doors for safety and energy efficiency; and extractor fans that disappear at the touch of a button.

Like any Classic you can keep on enjoying our range year after year.

20

21

CLASSIC RANGE



1. Built-in Microwave and Grill, CM123 [p.65]
Electric Pyrolytic Single Oven, C2238 [p.48]
2. Wall Chimney Hood, CGC910SS [p.173]
3. Gas Hob, C866G [p.111]





COOKING

- 026 Ovens
- 052 Steam Ovens
- 058 Microwaves
- 066 Coffee Machines
- 072 Companion Products
- 074 Warming and Storage Drawers
- 080 Range Cookers
- 086 Hobs
- 118 Extraction
- 180 Splashbacks





TRULY REFINED ENTERTAINING

Whatever your taste, Caple has everything you need to create the kitchen to suit. Each cooking appliance has been designed not just to be easy on the eye, but also easy to master.

Whether you need a snack to be cooked in a flash, or a five-course meal to be lovingly crafted, it can be carried out simply, seamlessly and with stunning results. Caple make cooking a natural process, putting everything completely under your control, so you can enjoy the fruits of your labour no matter how long they take to make.

OUR RANGE. WHAT'S ON THE MENU?

Our comprehensive range covers everything from steam ovens to splashbacks, all designed to meet the highest requirements of form and function.

Cookers of every size, from solid stand alone ranges to integrated single ovens. Sophisticated microwaves with browning and fan technology. Hobs in electric, gas, induction and ceramic – or even a combination of modular hobs to suit your exact specification. Not to mention coffee machines, cooker hoods and warming/storage drawers - the icing on the cake.

OVENS

There's a Caple oven for every kind of kitchen and every type of lifestyle. Choose from our flagship Sense Premium collection, the sleek and elegant Sense range and our exceptionally versatile Classic.





COOKING THE WAY YOU WANT

Our cooking range features the following functions:

CONVENTIONAL HEAT/ CONVENTIONAL ECO HEAT

Top and bottom elements

- Cooking consistently through to the middle
- Best results, use one shelf only



PERFECT FOR

Baking

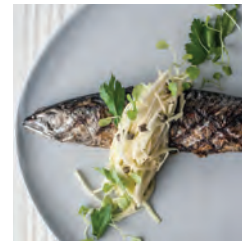
FULL GRILL

Full width grill

- Even and consistent grilling

PERFECT FOR

Large pieces of steak or fish



TOP HEAT

Top element only

- Gentle heat to brown the top of a dish

PERFECT FOR

Pasta or potato dishes



ECO GRILL

Half width grill

- Energy saving inner grill section only

PERFECT FOR

Small portions of food, such as bacon or toast



BASE HEAT

Bottom element only

- Re-heating cooked food or for keeping food warm

PERFECT FOR

All food types



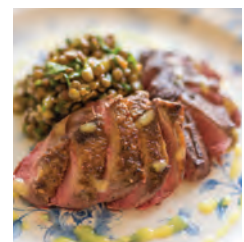
ROTISSERIE CONVENTIONAL HEAT/ ROTISSERIE GRILL

*Top element only**

- Turns meat automatically as it cooks, so that it bastes itself

PERFECT FOR

Succulent roasting and even browning



FAN HEAT/FAN HEAT PLUS

Fan element/fan, top and bottom elements

- Fast and highly efficient
- Fan Heat Plus uses the top and bottom elements as well, to deliver the right temperature even faster



PERFECT FOR

Juicy roasts, no pre-heat required – crisp the outside and keep the inside soft

TURBO CONVENTIONAL HEAT

Fan assisted top and bottom elements

- Fast and even heat distribution
- Ideal for cooking more than one food type without transferring smells or tastes



PERFECT FOR

Light and delicate baking, such as pastry or bread

TOP PLUS FAN HEAT

Fan assisted top element

- Heat from both rear and upper elements



PERFECT FOR

Finishing off a cooked dish, or melt a cheese topping without the worry of overcooking

TURBO BASE HEAT

Fan assisted bottom element

- Designed for delicate and slow cooking



PERFECT FOR

Casseroles or stews

BASE PLUS FAN HEAT

Fan element and bottom element

- Circulated heat from two directions



PERFECT FOR

Crispy pizza bases, or for finishing pastry bases

TURBO GRILL/TURBO ECO GRILL

Fan assisted full or half grill

- Quick browning



PERFECT FOR

Cooking meat whilst keeping all the juices

TURBO DEFROST

Fan only no elements

- No heat, fan only
- Uses fan power at room temperature to cut defrosting time in half



GRILL PLUS BASE HEAT

Full grill and bottom element

- Maintains consistent temp

PERFECT FOR

Giving a nice crisp outside - great for pies



RECOMMENDED COMBINATIONS

All our compact appliances are designed to work with a matching oven. So when thinking about your kitchen design it is important to find the right combination for your needs. For a contemporary look, opt for a linear design with clean, well-defined edges to showcase your appliances.

Our appliances can be arranged in many different formats to suit your cooking requirements and to use space effectively. You can see here some examples of appliances that complement one another. The linear appliance arrangement below will accommodate any of the ovens shown here on the top level. You will get the layout you want for your kitchen without compromising on the appliance you need.

SENSE PREMIUM - LINEAR



C2160 Oven

C2150SS Oven



*CM209SS Microwave
WMD1356 Warming Drawer*

*SO209SS Steam Oven
WMD1356 Warming Drawer*

*CM471SS Coffee Machine
WMD1356 Warming Drawer*

TV471 Television
WMD1356 Warming Drawer*

*WC470 Wine Cabinet
WMD1356 Warming Drawer*

SENSE PREMIUM - STACKED



*CM209SS Microwave
C2480 Pyrolytic Oven
WMD1356 Warming Drawer*

*CM471WH Microwave
C2150WH Oven
WMD1355WH Warming Drawer*

SENSE PREMIUM - QUAD



CM209SS Microwave
C2150SS Oven
WMD1356 Warming Drawer

SO209SS Steam Oven
C2150SS Oven
WMD1356 Warming Drawer



CM471WH Coffee Machine
C2150WH Oven
WMD1355WH Warming Drawer

SO209WH Steam Oven
C2150WH Oven
WMD1355WH Warming Drawer

SENSE - LINEAR



C2100 Oven



CM109 Microwave
WMD1356 Warming Drawer



SO109 Steam Oven
WMD1356 Warming Drawer



CM461 Coffee Machine
SD1356 Storage Drawer



C2361 Oven



CM109 Microwave
WMD1356 Warming Drawer



SO109 Steam Oven
WMD1356 Warming Drawer



CM461 Coffee Machine
SD1356 Storage Drawer

*PLEASE NOTE: TV should not be positioned above an oven.

We recommend that when installing a stack or quad of products, a pair of our installation brackets [OVEN/BRACKETS] are purchased to support the upper product ensuring a seamless fit.

RECOMMENDED COMBINATIONS

For a contemporary look, opt for a linear design with clean, well-defined edges to showcase your appliances. If space is an issue, select two products sitting one on top of the other in a simple stack. Or why not choose your own 'quad', with a snug-fitting combination of four appliances plus warming drawers?

SENSE - STACKED



CM109 Microwave
C2100 Oven
WMD1356 Warming Drawer



SO109 Steam Oven
C2361 Oven
WMD1356 Warming Drawer



CM2400 Microwave
C2472 Oven
WMD1356 Warming Drawer

SENSE - QUAD



SO109 Steam Oven
C2361 Oven



CM109 Microwave
CM461 Coffee Machine
WMD1356 Warming Drawer



SO109 Steam Oven
C2100 Oven



CM109 Microwave
CM461 Coffee Machine
WMD1356 Warming Drawer

SENSE - QUAD



CM109 Microwave
C2100 Oven
WMD1356 Warming Drawer

SO109 Steam Oven
C2100 Oven
WMD1356 Warming Drawer



CM109 Microwave
C2100 Oven
WMD1356 Warming Drawer

CM461 Coffee Machine
C2100 Oven
WMD1356 Warming Drawer

SENSE - QUAD



CM109 Microwave
C2361 Oven
WMD1356 Warming Drawer

SO109 Steam Oven
C2361 Oven
SD1356 Storage Drawer

CLASSIC - STACKED



CM123 Microwave
C2233 Oven
WMD1354 Warming Drawer

CM119 Microwave
C2219 Oven
WMD1354 Warming Drawer

We recommend that when installing a stack or quad of products, a pair of our installation brackets [OVENBRACKETS] are purchased to support the upper product ensuring a seamless fit.

SENSE PREMIUM OVENS

Our collection of Sense Premium ovens boasts elegant design and class leading functionality, putting uncompromising control at your fingertips.

Stunning grey interiors bring style to your cooking. Sleek LED-lit touch controls and programming allow you to rise to the occasion and effortlessly set your oven to work.



THE AUTO FUNCTION

Select from 36 preset recipes, from cooking a simple chicken breast to stuffed roast veal. Select the food type, enter the weight and let the oven do the rest. If you prefer your food cooked a certain way, you can personalise the recipes and store them, getting perfect results every time. [1]

TELESCOPIC SHELVES

Most models have telescopic shelves, making it easier to check food as it cooks. [2]



SELF-CLEANING TECHNOLOGY

Pyrolytic technology [C2480 only] works by heating the oven to 475°C, causing even hidden-away and baked-on grime to carbonise into a fine ash. It saves you vast amounts of elbow grease, and actually improves oven efficiency over time too. [3]

CLEAN AND BOOST

A clever clean function returns your oven to a fresh and spotless condition in just 60 minutes, taking advantage of special enamel with a micro-porous structure to oxidise residues at 250°C. And a Boost function, which preheats the oven in super quick time, making sure it reaches just the right temperature for whatever food you're preparing. [4]

TOUCH CONTROL

All models have full touch control. [5]

SENSE OVENS

A style led range of ovens with 'A' energy-rated performance, Sense control technology, and near-obsessive attention to detail.

Featuring innovative touch control technology, every Sense oven delivers outstanding results, whatever the cooking task.

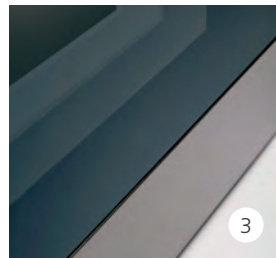
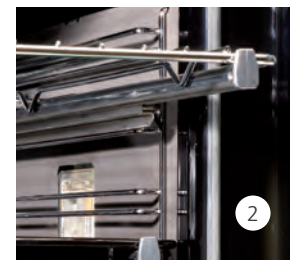
14 FUNCTIONS... AND MORE

As well as a range of versatile cooking functions our 14 function ovens offer some great time and labour-saving features too.

A clever Clean function returns your oven to a spotless condition in just 60 minutes and a Boost function preheats the oven in super quick time, helping you get dinner on the go even quicker.

TOUCH CONTROL

All models have fully-programmable touch control timers, and some models have full touch control. [1]



TELESCOPIC SHELVES, CATALYTIC LINERS AND LARGE SIDE LIGHTS

Most models have telescopic shelves [fixed to chrome side racks], which make it easier to check food as it cooks. Fitted or optional catalytic liners make oven cleaning easier, and premium models have enhanced lighting with super-bright and over-sized side lights. [2]

SOPHISTICATED DOORS

Sealed cool-touch doors are fitted with high quality hinges and quadruple or triple layer full-width glass. [3]

PUSH-PULL KNOBS

Some models feature ergonomic positive response push-pull dials. [4]

CLASSIC OVENS

Our high-performance Classic range comes with a host of standard and optional features, designed to make cooking even more satisfying.

These ovens are classically designed, as the name suggests, in stainless steel and sheer black glass. You'll find fully programmable electronic timers, cool-touch doors that are as good as their name suggests plus pyrolytic self-cleaning models. The push-pull knobs become flush to the fascia when not in use as well, for clean and smooth lines.



PROGRAMMABLE ELECTRONIC TIMERS

You can preset cooking start and stop times. [1]

SHELF TYPES

Electric models have chrome side racks, some have telescopic shelving, while the gas model has moulded shelf slots. [2]

COOL-TOUCH DOORS

The C2238 has quadruple glazing doors while other models have full-width triple glazing doors with heat-reflective glass and a tangential cooling fan. [3]

LARGE VIEWING WINDOW WITH A LARGE CAPACITY TO MATCH

For more efficient cooking you can keep an eye on exactly what you're cooking without having to open the door and lose heat. Some single ovens also have a capacity as large as 69 litres, perfect for a hungriest of households. [4]

FULL WIDTH GLASS DOOR

Most Caple classic single ovens feature full width removable inner glass to make cleaning your oven a little bit less of a chore.



DOUBLE OVENS

When mass catering is on the cards, Caple comes up trumps. Our Classic and Sense ranges offer the capacity and the functions you need to satisfy the largest appetites.



Sense Electric Double Oven



C3370

PRODUCT CODE

C3370

DIMENSIONS

← w:600mm

PERFORMANCE

ⓔ Top Oven A
Bottom Oven A

FINISH AVAILABLE

● Black Glass with
Stainless Steel

FUNCTIONS

5 Top Oven
- Light
- Base heat
- Conventional heat
- Eco grill
- Full grill

14 Bottom Oven

- Lights
- Conventional heat
- Top heat
- Base heat
- Eco grill
- Full grill
- Turbo grill
- Turbo conventional heat
- Fan heat
- Base plus fan heat
- Turbo defrost
- Grill plus base heat
- Boost
- Clean

OVEN FEATURES

Top Oven

- 40 Litre capacity
- Touch control programmable electronic timer
- Double glazed door with heat reflective glass

Bottom Oven

- 65 Litre capacity
- Touch control programmable electronic timer
- Triple glazed door with heat reflective glass
- **General**
- Stainless steel, black-spot feature bar handles
- Full width sealed inner door glass
- Closed door grilling
- Tangential cooling fan
- 2 side interior lights in bottom oven, 1 light in rear of top oven
- White spotted easy-to-clean enamel interior
- Smooth and flat oven sides with chrome shelf racks

ACCESSORIES

- 1 Safety-stop shelf in top oven
- 2 Safety-stop shelves in bottom oven
- 1 Grill pan with handle
- 1 Enamelled baking tray

OPTIONAL EXTRAS

- Catalytic liner set for top and bottom ovens CAPCAT13
- Multiple position telescopic shelving racks for top and bottom ovens CAPRACK2

Visit caple.co.uk for full range

INSTALLATION

- *Diagram [p.268]*
- *Rated load 5.35kW*
- *Fuse rating 30A*

Classic Electric Double Oven



C3244

PRODUCT CODE

C3244

DIMENSIONS

↔ w:600mm

PERFORMANCE

⊖ Top Oven A
⊖ Bottom Oven A

FINISH AVAILABLE

● Stainless Steel with Black Glass

FUNCTIONS

- 4 Top Oven
 - Light
 - Base heat
 - Conventional heat
 - Full grill
- 4 Bottom Oven
 - Light
 - Fan heat
 - Full grill
 - Turbo defrost

OVEN FEATURES

Top Oven

- 40 Litre capacity

Bottom Oven

- 65 Litre capacity
- Programmable electronic timer

General

- Stainless steel, black-spot feature bar handles
- Double glazed doors with heat reflective glass
- Closed door grilling
- Tangential cooling fan
- Top interior lights
- Smooth and flat oven sides with chrome shelf racks

ACCESSORIES

- 1 Safety-stop shelf in top oven
- 2 Safety-stop shelves in bottom oven
- 1 Grill pan with handle in top oven
- 1 Enamelled baking tray

OPTIONAL EXTRAS

- Catalytic liner set for top and bottom ovens CAPCAT5
- Multiple position telescopic shelving racks for bottom oven CAPRACK2

Visit cagle.co.uk for full range

INSTALLATION

- Diagram [p.268]
- Rated load 4.25kW
- Fuse rating 20A

Classic Electric Double Oven



C3242

PRODUCT CODE

C3242

DIMENSIONS

↔ w:600mm

PERFORMANCE

⊖ Top Oven A
⊖ Bottom Oven A

FINISH AVAILABLE

● Stainless Steel with Black Glass

FUNCTIONS

- 3 Top Oven
 - Light
 - Conventional heat
 - Full grill
- 3 Bottom Oven
 - Light
 - Fan heat
 - Turbo defrost

OVEN FEATURES

Top Oven

- 40 Litre capacity

Bottom Oven

- 65 Litre capacity
- Programmable electronic timer

General

- Curved handles
- Double glazed doors with heat reflective glass
- Open door grilling
- Tangential cooling fan
- Top interior lights
- Smooth and flat oven sides with chrome shelf racks

ACCESSORIES

- 2 Safety-stop shelves in bottom oven
- 1 Grill pan with handle in top oven
- 1 Enamelled baking tray

OPTIONAL EXTRAS

- Catalytic liner set for top and bottom ovens CAPCAT5
- Multiple position telescopic shelving racks for bottom oven CAPRACK2

Visit cagle.co.uk for full range

INSTALLATION

- Diagram [p.268]
- Rated load 4.25kW
- Fuse rating 20A

BUILT-UNDER OVENS

Neat, versatile and with a host of clever design features, our built-under ovens fit seamlessly with your kitchen design. In a range of sizes and with uncompromising performance they are a style-conscious cook's best friend.



Sense Electric Built-Under Oven



C4360

PRODUCT CODE

C4360

DIMENSIONS

← w:600mm

PERFORMANCE

ⓔ Top Oven A
Bottom Oven A

FINISH AVAILABLE

● Black Glass with
Stainless Steel

FUNCTIONS

4 Top Oven
- Light
- Base heat
- Conventional heat
- Full grill

7 Bottom Oven

- Light
- Conventional heat
- Turbo conventional heat
- Fan heat
- Turbo base heat
- Eco grill
- Turbo grill

OVEN FEATURES

Top Oven

- 40 Litre capacity
- Double glazed door with heat reflective glass

Bottom Oven

- 50 Litre capacity
- Touch control programmable electronic timer
- Triple glazed door with heat reflective glass

General

- Stainless steel, black-spot feature bar handles
- Full width sealed inner door glass
- Push-pull knobs
- Closed door grilling
- Tangential cooling fan
- 1 Interior light in each oven cavity
- White spotted easy-to-clean black enamel interior
- Smooth and flat oven sides with chrome shelf racks

ACCESSORIES

- 1 Safety-stop shelf in top oven
- 1 Safety-stop shelf in bottom oven
- 1 Grill pan with handle
- 1 Enamelled baking tray

OPTIONAL EXTRAS

- Catalytic liner set for both ovens CAPCAT7
 - Dual position telescopic shelving racks for bottom oven CAPRACK2
- Visit cuple.co.uk for full range

INSTALLATION

- *Diagram [p.268]*
- *Rated load 3.65kW*
- *Fuse rating 20A*

Classic Electric Built-Under Oven



C4244

PRODUCT CODE
C4244

DIMENSIONS
w:600mm

PERFORMANCE
Top Oven A
Bottom Oven A

FINISH AVAILABLE
Stainless Steel
with Black Glass

FUNCTIONS
4 Top Oven
- Light
- Base heat
- Conventional heat
- Full grill

4 Bottom Oven
- Light
- Fan heat
- Full grill
- Turbo defrost

OVEN FEATURES

Top Oven

- 40 Litre capacity

Bottom Oven

- 50 Litre capacity
- Programmable electronic timer

General

- Stainless steel, black-spot feature bar handles
- Double glazed doors with heat reflective glass
- Closed door grilling
- Tangential cooling fan
- Rear interior lights
- Smooth and flat oven sides with chrome shelf racks

ACCESSORIES

- 1 Safety-stop shelf in top oven
- 1 Safety-stop shelves in bottom oven
- 1 Grill pan with handle
- 1 Enamelled baking tray

OPTIONAL EXTRAS

- Catalytic liner set for both ovens CAPCAT7
- Dual position telescopic shelving racks for bottom oven CAPRACK2

Visit cagle.co.uk for full range

INSTALLATION

- *Diagram [p.268]*
- *Rated load 3.75kW*
- *Fuse rating 20A*

Classic Electric Built-Under Oven



C4242

PRODUCT CODE
C4242

DIMENSIONS
w:600mm

PERFORMANCE
Top Oven A
Bottom Oven A

FINISH AVAILABLE
Stainless Steel
with Black Glass

FUNCTIONS
3 Top Oven
- Light
- Conventional heat
- Full grill

3 Bottom Oven
- Light
- Fan heat
- Turbo defrost

OVEN FEATURES

Top Oven

- 40 Litre capacity

Bottom Oven

- 50 Litre capacity
- Programmable electronic timer

General

- Curved handles
- Double glazed doors with heat reflective glass
- Open door grilling
- Tangential cooling fan
- Rear interior lights
- Smooth and flat oven sides with chrome shelf racks

ACCESSORIES

- 1 Safety-stop shelf in top oven
- 1 Safety-stop shelf in bottom oven
- 1 Grill pan with handle
- 1 Enamelled baking tray

OPTIONAL EXTRAS

- Catalytic liner set for both ovens CAPCAT7
- Dual position telescopic shelving racks for bottom oven CAPRACK2

Visit cagle.co.uk for full range

INSTALLATION

- *Diagram [p.268]*
- *Rated load 3.75kW*
- *Fuse rating 20A*

SINGLE OVENS

With handy features like side opening doors and push-pull knobs our range is big on looks and practicality. The perfect solution when space is at a premium.



Sense Electric Single Oven



C2900

PRODUCT CODE

C2900

DIMENSIONS

← w:900mm

PERFORMANCE

ⓔ Energy Class A

FINISH AVAILABLE

● Black Glass with Stainless Steel

FUNCTIONS

14 Functions

- Lights
- Conventional heat
- Top heat
- Base heat
- Eco grill
- Full grill
- Turbo grill
- Turbo conventional heat
- Fan heat
- Base plus fan heat
- Turbo defrost
- Turbo grill plus base heat
- Boost
- Clean

OVEN FEATURES

- 89 Litre capacity
- Touch control programmable electronic timer
- Stainless steel, black-spot feature bar handle
- Triple glazed door with heat reflective glass
- Full width sealed inner door glass
- Rotisserie
- Self-cleaning catalytic liners
- Closed door grilling
- Tangential cooling fan
- 2 Side interior lights
- White spotted easy-to-clean black enamel interior
- Smooth and flat oven sides with chrome shelf racks

ACCESSORIES

- 1 Safety-stop shelf
- 1 Grill pan with handle
- 1 Enamelled baking tray
- Multiple position telescopic shelving

INSTALLATION

- *Diagram [p.268]*
- *Rated load 3.5kW*
- *Fuse rating 20A*



Sense Premium Electric Pyrolytic Single Oven



C2480

PRODUCT CODE

SP C2480

DIMENSIONS

↔ w:600mm

PERFORMANCE

e Energy Class A

FINISH AVAILABLE

● Stainless Steel

FUNCTIONS

17 Functions

- Light
- Conventional heat
- Eco conventional heat
- Base heat
- Turbo base heat
- Full grill
- Turbo grill
- Turbo conventional heat
- Fan heat
- Base plus fan heat
- Turbo defrost
- Grill plus base heat
- Turbo grill plus base heat
- Boost
- Pyrolytic self-cleaning
- Eco pyrolytic self-cleaning
- Rotisserie

OVEN FEATURES

- 52 Litre capacity
- Touch control programmable electronic timer
- Stainless steel, black-spot feature bar handle
- Quadruple glazed door with heat reflective glass
- Door safety lock during pyrolytic function
- Closed door grilling
- Twin speed tangential cooling fan
- Interior halogen light
- Grey nickel free easy-to-clean enamel interior

ACCESSORIES

- 1 Safety-stop shelf
- 1 Grill pan with handle
- 1 Telescopic shelf
- 1 Rotisserie rack

INSTALLATION

- *Diagram [p.269]*
- *Rated load 2.5kW*
- *Fuse rating 13A*

Sense Premium Electric Side Opening Single Oven



C2160

PRODUCT CODE

SP C2160

DIMENSIONS

↔ w:600mm

PERFORMANCE

e Energy Class A

FINISH AVAILABLE

● Stainless Steel

FUNCTIONS

13 Functions

- Lights
- Conventional heat
- Top heat
- Eco grill
- Full grill
- Turbo grill
- Turbo conventional heat
- Fan heat
- Base plus fan heat
- Turbo defrost
- Auto
- Boost
- Clean

OVEN FEATURES

- 65 Litre capacity
- Touch control programmable electronic timer
- Stainless steel, black-spot feature bar handle

- Triple glazed door with heat reflective glass
- Full width sealed inner door glass
- Reversible door
- 36 Preset cooking recipes that can be customized
- Auto cooking function
- Meat probe
- Self-cleaning catalytic liners
- Closed door grilling
- Tangential cooling fan
- 2 Side interior halogen lights
- Grey nickel free easy-to-clean enamel interior
- Smooth and flat oven sides with chrome shelf racks

ACCESSORIES

- 1 Safety-stop shelf
- 1 Grill pan with handle
- 1 Enamelled baking tray
- Dual position telescopic shelving

OPTIONAL EXTRAS

- Tempered glass tray [GTRAY/SO]

Visit caple.co.uk for full range

INSTALLATION

- *Diagram [p.269]*
- *Rated load 3.5kW*
- *Fuse rating 20A*

Sense Premium Electric Single Ovens



C2150SS



C2150WH

PRODUCT CODE

- SP Stainless Steel
C2150SS
- SP White Glass
C2150WH

DIMENSIONS

- ↔ w:600mm

PERFORMANCE

- e Energy Class A

FINISH AVAILABLE

- Stainless Steel
- White Glass

FUNCTIONS

- 13 Functions
 - Lights
 - Conventional heat
 - Base heat
 - Eco grill
 - Full grill
 - Turbo grill
 - Turbo conventional heat
 - Fan heat
 - Base plus fan heat
 - Turbo defrost
 - Auto
 - Boost
 - Clean

OVEN FEATURES

- 65 Litre capacity
- Touch control programmable electronic timer

- Stainless steel, black-spot feature bar handle
- Triple glazed door with heat reflective glass
- Full width sealed inner door glass
- 36 Preset cooking recipes that can be customized
- Auto cooking function
- Meat probe
- Self-cleaning catalytic liners
- Closed door grilling
- Tangential cooling fan
- 2 Side interior halogen lights
- Grey nickel free easy-to-clean enamel interior
- Smooth and flat oven sides with chrome shelf racks

ACCESSORIES

- 1 Safety-stop shelf
- 1 Grill pan with handle
- 1 Enamelled baking tray
- Dual position telescopic shelving

OPTIONAL EXTRAS

- Tempered glass tray [GTRAY/SO]

Visit cagle.co.uk for full range

INSTALLATION

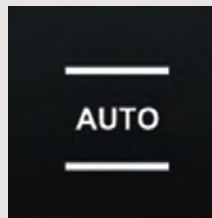
- *Diagram [p.269]*
- *Rated load 3.5kW*
- *Fuse rating 20A*

FEATURES



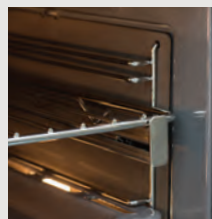
LED TOUCH CONTROL

The intuitive control panel lets you swiftly access all functions, the electronic timer, minute minder and clock. You can also see the current cooking time and temperature.



AUTO SETTING

Choose from 36 preset recipes on the LCD panel. Includes food weight and temperature for optimum results. You can also create your own programmes.



CLEAN

The nickel free, micro-porous enamel allows the oven to reach up to 250° C oxidising residue, making it easy to clean.

Sense Electric Single Oven



C2100

PRODUCT CODE

C2100

DIMENSIONS

w:600mm

PERFORMANCE

Energy Class A

FINISH AVAILABLE

Black Glass with Stainless Steel

FUNCTIONS

14 Functions

- Lights
- Conventional heat
- Top heat
- Base heat
- Eco grill
- Full grill
- Turbo grill
- Turbo conventional heat
- Fan heat
- Base plus fan heat
- Turbo defrost
- Grill plus base heat
- Boost
- Clean

OVEN FEATURES

- 65 Litre capacity
- Touch control programmable electronic timer
- Stainless steel, black-spot feature bar handle
- Triple glazed door with heat reflective glass
- Full width sealed inner door glass
- Self-cleaning catalytic liners
- Closed door grilling
- Tangential cooling fan
- 2 Side interior lights
- White spotted easy-to-clean black enamel interior
- Smooth and flat oven sides with chrome shelf racks

ACCESSORIES

- 1 Safety-stop shelf
- 1 Grill pan with handle
- 1 Enamelled baking tray
- Dual position telescopic shelving

INSTALLATION

- Diagram [p.270]
- Rated load 3.5kW
- Fuse rating 20A

Sense Electric Pyrolytic Single Oven



C2472

PRODUCT CODE

C2472

DIMENSIONS

w:600mm

PERFORMANCE

Energy Class A

FINISH AVAILABLE

Black Glass with Stainless Steel

FUNCTIONS

10 Functions

- Light
- Conventional heat
- Fan heat
- Base heat
- Eco grill
- Full grill
- Turbo grill
- Turbo conventional heat
- Turbo defrost
- Pyrolytic self-cleaning

OVEN FEATURES

- 70 Litre capacity
- White LED display with push-pull knobs
- Electronic clock
- Digital minute minder
- Stainless steel, black-spot feature bar handle
- Quadruple glazed door with heat reflective glass
- Full width inner door glass
- Door safety lock during pyrolytic function
- Closed door grilling
- Interior light
- Grey enamel interior
- Smooth and flat oven sides with chrome shelf racks

ACCESSORIES

- 1 Shelf
- 1 Grill pan and handle
- 2 Sets of telescopic runners

INSTALLATION

- Diagram [p.270]
- Rated load 3.2kW
- Fuse rating 15A

Sense Electric Single Oven



C2361

PRODUCT CODE

C2361

DIMENSIONS

↔ w:600mm

PERFORMANCE

ⓔ Energy Class A

FINISH AVAILABLE

● Black Glass with Stainless Steel

FUNCTIONS

- 9 Functions
- Lights
 - Conventional heat
 - Turbo conventional heat
 - Fan heat
 - Base heat
 - Base plus fan heat
 - Full grill
 - Eco grill
 - Turbo eco grill

OVEN FEATURES

- 65 Litre capacity
- Touch control programmable electronic timer with blue LED
- Push-pull knobs
- Stainless steel, black-spot feature bar handle
- Triple glazed door with heat reflective glass
- Full width sealed inner door glass
- Self-cleaning catalytic liners
- Closed door grilling
- Tangential cooling fan
- 2 Side interior lights
- White spotted easy-to-clean black enamel interior
- Smooth and flat oven sides with chrome shelf racks

ACCESSORIES

- 2 Safety-stop shelf
- 1 Grill pan with handle
- 1 Enamelled baking tray
- Dual position telescopic shelving

INSTALLATION

- *Diagram [p.270]*
- *Rated load 3.45kW*
- *Fuse rating 20A*

Classic Electric Side Opening Single Oven



C2219

PRODUCT CODE

C2219

DIMENSIONS

↔ w:600mm

PERFORMANCE

ⓔ Energy Class A

FINISH AVAILABLE

● Black Glass with Stainless Steel

FUNCTIONS

- 4 Functions
- Light
 - Fan heat
 - Full grill
 - Turbo defrost

OVEN FEATURES

- 65 Litre capacity
- Programmable electronic timer with green LED
- Stainless steel, black-spot feature bar handle
- Double glazed door with heat reflective glass
- Full width sealed inner door glass
- Reversible door
- Magnetic door closure
- Closed door grilling
- Tangential cooling fan
- Top interior light
- Smooth and flat oven sides with chrome shelf racks

ACCESSORIES

- 1 Safety-stop shelf
- 1 Grill pan with handle

OPTIONAL EXTRAS

- Catalytic side and rear liners CAPCAT4
- Dual position telescopic shelving racks CAPRACK2

Visit caple.co.uk for full range

INSTALLATION

- *Diagram [p.270]*
- *Rated load 2.4kW*
- *Fuse rating 13A*

Classic Electric Pyrolytic Single Oven



C2238

PRODUCT CODE

C2238

DIMENSIONS

↔ w:600mm

PERFORMANCE

ⓔ Energy Class A

FINISH AVAILABLE

● Stainless Steel with Black Glass

FUNCTIONS

8 Functions

- Conventional heat
- Fan heat
- Eco grill
- Full grill
- Turbo grill
- Turbo conventional heat
- Defrost
- Pyrolytic self-cleaning

OVEN FEATURES

- 68 Litre capacity
- Programmable electronic timer with green LED
- Stainless steel, black-spot feature bar handle
- Quadruple glazed door with heat reflective glass
- Door safety lock during pyrolytic function
- Closed door grilling
- Tangential cooling fan
- Interior light
- Smooth and flat oven sides with chrome shelf racks

ACCESSORIES

- 1 Safety stop shelf
- 1 Grill pan with handle
- 1 Shelf for telescopic runners
- 2 Sets of telescopic runners

OPTIONAL EXTRAS

- 1 Safety-stop shelf SHELF1
 - 1 Shelf for telescopic runners SHELF2
- Visit cagle.co.uk for full range

INSTALLATION

- *Diagram [p.270]*
- *Rated load 2.6kW*
- *Fuse rating 13A*

Classic Electric Single Oven



C2236

PRODUCT CODE

C2236

DIMENSIONS

↔ w:600mm

PERFORMANCE

ⓔ Energy Class A

FINISH AVAILABLE

● Stainless Steel with Black Glass

FUNCTIONS

9 Functions

- Light
- Conventional heat
- Eco grill
- Full grill
- Turbo grill
- Turbo conventional heat
- Fan heat
- Base plus fan heat
- Defrost

OVEN FEATURES

- 69 Litre capacity
- Programmable electronic timer with green LED
- Push/pull knobs
- Stainless steel, black-spot feature bar handle
- Double glazed door with heat reflective glass
- Full width removable inner door glass

- Closed door grilling
- Tangential cooling fan
- Interior light
- Easy clean enamel
- Smooth and flat oven sides with chrome shelf racks

ACCESSORIES

- 1 Safety-stop shelf
- 1 Grill pan with handle

OPTIONAL EXTRAS

- 1 Safety-stop shelf SHELF1
- 1 Baking tray TRAY1
- 1 Set of telescopic runners supplied with shelf CAPRACK6

Visit cagle.co.uk for full range

INSTALLATION

- *Diagram [p.270]*
- *Rated load 3.1kW*
- *Fuse rating 16A*

Classic Electric Single Oven



C2233



C2233BK

PRODUCT CODE

Stainless Steel C2233
Black Glass C2233BK

DIMENSIONS

← w:600mm

PERFORMANCE

ⓔ Energy Class A

FINISH AVAILABLE

● Stainless Steel with Black Glass

● Black Glass

FUNCTIONS

4 Functions

- Fan heat
- Grill
- Turbo grill
- Defrost

OVEN FEATURES

- 69 Litre capacity
- Programmable electronic timer with green LED
- Stainless steel, black-spot feature bar handle
- Double glazed door with heat reflective glass
- Full width removable inner door glass
- Closed door grilling
- Tangential cooling fan
- Interior light
- Easy clean enamel

- Smooth and flat oven sides with chrome shelf racks

ACCESSORIES

- 1 Safety-stop shelf
- 1 Grill pan with handle

OPTIONAL EXTRAS

- 1 Safety-stop shelf SHEL1
- 1 Baking tray TRAY1
- 1 Set of telescopic runners supplied with shelf CAPRACK6

Visit caple.co.uk for full range

INSTALLATION

- *Diagram [p.270]*
- *Rated load 2kW*
- *Fuse rating 10A*

FEATURES

LARGE VIEWING WINDOW WITH A LARGE CAPACITY TO MATCH

For more efficient cooking you can keep an eye on exactly what you're cooking without having to open the door and lose heat. Some single ovens also have a capacity as large as 69 litres, perfect for a hungriest of households.

Classic Electric Single Oven



C2230

PRODUCT CODE

C2230

DIMENSIONS

↔ w:600mm

PERFORMANCE

ⓔ Energy Class A

FINISH AVAILABLE

● Stainless Steel with Black Glass

FUNCTIONS

④ Functions

- Fan heat
- Grill
- Turbo grill
- Defrost

OVEN FEATURES

- 69 Litre capacity
- Audible minute minder
- Stainless steel, black-spot feature bar handle
- Double glazed door with heat reflective glass
- Full width removable inner door glass
- Closed door grilling
- Tangential cooling fan
- Interior light
- Easy clean enamel
- Smooth and flat oven sides with chrome shelf racks

ACCESSORIES

- 1 Safety-stop shelf
- 1 Grill pan with handle and rack

OPTIONAL EXTRAS

- 1 Safety-stop shelf SHEL1
 - 1 Baking tray TRAY1
 - 1 Set of telescopic runners supplied with shelf CAPRACK6
- Visit caple.co.uk for full range

INSTALLATION

- *Diagram [p.270]*
- *Rated load 2kW*
- *Fuse rating 10A*

Classic Gas Single Oven



C2512

PRODUCT CODE

C2512

DIMENSIONS

↔ w:600mm

PERFORMANCE

ⓔ Energy Class A

FINISH AVAILABLE

● Stainless Steel with Black Glass

FUNCTIONS

③ Functions

- Light
- Gas cooking
- Gas grill

OVEN FEATURES

- 70 Litre capacity
- Audible minute minder
- Stainless steel, black-spot feature bar handle
- Triple glazed door with heat reflective glass
- Flame safety device
- Closed door grilling
- Tangential cooling fan
- Interior light
- Easy clean enamel
- Smooth and flat oven sides with chrome shelf racks

ACCESSORIES

- 1 Safety-stop shelf
- 1 Grill pan with handle

INSTALLATION

- *Diagram [p.271]*
- *Rated load 0.05kW*
- *Fuse rating 3A*



COOKING

50

51

SINGLE OVENS

STEAM OVENS

Better taste and better for you.

Steam cooking is healthy, fuss-free and ensures fresh food retains its natural colours, flavours and shape. What's more, all the natural nutrients and goodness end up on the plate and not in the pan. Oh, and it is also one of the most energy-efficient ways to cook food.



STEAM COMBINATION COOKING



Steam cooking is especially well suited to cooking foods like seafood, vegetables, pasta and rice - the sky's the limit.

Utilising the combined functions of a steam oven - fan, steam, and grill - you can be sure to beautifully capture flavour at every turn. From grilled fish such as tuna and salmon, to cooking succulent joints of meat with fan and steam injection to lock in moisture, combination cooking has never been so easy. Crab, lobster and other shellfish are done to perfection accompanied by steamed vegetables, from fresh new potatoes to crunchy carrots and broccoli. As for stodgy rice and soggy pasta, they will be a thing of the past.

ODOURLESS COOKING

There are no food odours with steam. This means you can prepare different parts of a meal together, without the flavours mingling. You can save energy too by cooking your meat and vegetables together.

DELICIOUS DESSERTS

Combining fan heat [dry heat] with steam [moisture] is the optimum environment for making the perfect light pastry, patisserie or cakes, as well as favourites such as rice pudding, or classic steamed pud and custard.





LED TOUCH CONTROLS AND LCD DISPLAY

The intuitive control panel lets you swiftly access all 11 functions, the electronic timer, minute minder and clock. You can also see the current cooking time and temperature.

STAINLESS STEEL INTERIOR

Hygienic and easy-to-clean interior. [1]



GASTRO TUBS

If you like to steam a variety of food at the same time then our stainless steel Gastro tubs [optional accessory] make it easy. [3]

INJECTION STEAM

Creates a consistent temperature by heating up the water tank [2] bringing the water to the correct temperature before injecting steam into the oven cavity.

AUTO SETTING

Choose from 100 preset recipes displayed on the LCD panel. Includes food weight and temperature for optimum results. You can also create and save your own customised programmes.



Sense Premium and Sense Combination Steam Ovens



SO209SS



SO209WH



SO109

PRODUCT CODE

- SP Stainless Steel
SO209SS
- SP White Glass
SO209WH
- Sense Black Glass
SO109

DIMENSIONS

- ↔ w:600mm

PERFORMANCE

- e Energy Class A+

FINISH AVAILABLE

- Stainless Steel
- White Glass
- Black Glass with
Stainless Steel

FUNCTIONS

- 11 Functions
- Light
- Fan heat
- Turbo grill
- Grill and fan
- Grill
- Steam 100°C
- Steam 130°C
- Steam and fan heat
- Steam pulse
- Clean
- Auto

OVEN FEATURES

- 34 Litre capacity
- Touch control programmable electronic timer
- Electronic clock
- Stainless steel, black-spot feature bar handle
- 100 Preset cooking recipes
- Variable steam cooking temperature 40°C-100°C
- 2 Preset steam temperatures [cooking 100°C and reheating 130°]
- Steam cooking pause function
- Removable 1.54 Litre water tank
- Tangential cooling fan
- Interior light
- Stainless steel interior

ACCESSORIES

- 1 Perforated tray
- 1 Chrome grid
- 1 Stainless steel tray

OPTIONAL EXTRAS

- Stainless steel gastro-tub and lid [GTUB]

Visit caple.co.uk for full range

INSTALLATION

- *Diagram [p.271]*
- *Rated load 3.2kW*
- *Fuse rating 20A*
- *Fan cooking 1500W*
- *Steam cooking 1100W*
- *Grill 1500W*

FEATURE

DECALCIFICATION

Intuitive automatic descaling system to prevent limescale build up.



STEAM RECOVERY SYSTEM

Water is collected during the cooling process and recycled to reduce the amount used.

CLEAN FUNCTION

Option to clean the inner cavity, and steam system.



MICROWAVES

Caple microwaves are packed with clever technology, and perfect for making quick and easy snacks as well as serious cooking. A must-have for a busy lifestyle.





DELICIOUS MEALS IN MINUTES



MICROWAVES

Minimalist design to complement any kitchen, yet big on handy features.

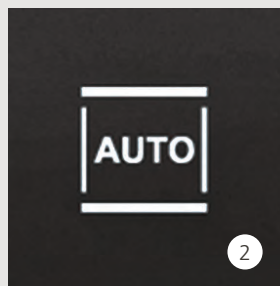
The CM119, CM123, CM120 and slim-line CM2400 all have an integral grill, plus a range of extra features. These include an auto-cook menu and auto-defrost. The CM2400 also has a handy multi-stage cooking system.

CM109 AND CM209 FEATURES



LED TOUCH CONTROLS AND LCD DISPLAY

11 functions and six power levels. You can also access the auto setting microwave programmes, timer and clock. An LCD panel displays the cooking mode, remaining time and menus. [1]



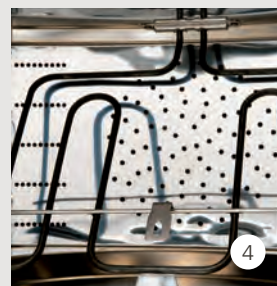
AUTO MENU

Choose from 60 preset recipes displayed on the LCD panel. Includes food type, weight and temperature for ideal results. You can save your own customised programmes too. [2]



STAINLESS STEEL INTERIOR AND GLASS TURNTABLE

Its wipe-clean surface makes cleaning easier. The glass turntable can also be easily removed and cleaned. [3]



DROP DOWN GRILL

A versatile grill easily lowers for simpler cleaning. Great for browning dishes, making cheese on toast or other snacks. [4]



SENSE PREMIUM COMBINATION MICROWAVE

Good looks and advanced functionality makes this the perfect choice for a busy lifestyle. Instinctive and powerful, it puts effortless cooking at your fingertips.



SENSE COMBINATION MICROWAVE

Featuring full touch-control, powerful fan cooking and stainless steel interior it's the most advanced microwave we've ever made. You can achieve great results by using the fan, grill, ring element and microwave in any combination. It's all the cooking you could want - in a microwave oven.



SENSE MICROWAVE

An advanced microwave with seven cooking modes including a powerful grill. Part of our exclusive Sense range, this exquisitely designed microwave looks stunning in smooth black glass and stainless steel. Its distinctive black-spot stainless steel bar handle makes it a perfect match for our Sense Ovens [see p.46-47] and our Warming Drawers [see p.75].



CLASSIC COMBINATION MICROWAVE

Our CM126 model combines a microwave, grill and powerful 2500W convection oven for incredible all-round functionality.

Sense Premium and Sense Built-In Combination Microwaves



CM209SS



CM209WH



CM109

PRODUCT CODE

- SP Stainless Steel
CM209SS
- SP White Glass
CM209WH
- Sense Black Glass
CM109

DIMENSIONS

- ← w:600mm

FINISH AVAILABLE

- Stainless Steel
- White Glass
- Black Glass with
Stainless Steel

FUNCTIONS

- 11 Functions
 - Light
 - Fan heat
 - Grill and fan heat
 - Full grill
 - Turbo grill
 - Timed defrost
 - Defrost by weight
 - Microwave
 - Microwave and grill
 - Microwave and fan
 - Auto settings

FEATURES

- 34 Litre capacity
- Touch control programmable electronic timer
- Electronic clock
- 6 Microwave power levels
- Thermostatic grill
- 60 Preset cooking recipes that can be customized
- Keep warm function [if door remains closed after cooking]
- Express microwave programme
- Audible timer
- Interior halogen light

DESIGN

- Stainless steel, black-spot feature bar handle
- Stainless steel interior

ACCESSORIES

- 320mm diameter glass turntable
- 1 Round chrome shelf
- 1 Chrome grid
- 1 Stainless steel tray

INSTALLATION

- *Diagram [p.271]*
- *Rated load 3.1kW*
- *Fuse rating 20A*
- *Fan cooking 1500W*
- *Microwave cooking 900W*
- *Grill 1500W*

FEATURES

Achieve great results by combining this model with a fan or grill, using the fan or grill together, or just regular convection cooking. Everything you need, in a microwave.



CONVECTION COOKING

Bringing together a ring element and a fan to provide evenly cooked and browned results. It's quicker than conventional cooking and can be combined with the microwave to reduce cooking time even more, the grill for perfect browning – or both the microwave and grill together.

TURBO GRILL

The fan cooking system and grill deliver perfect results in all kinds of meals. It even locks in meat juices for better flavour.

Sense Built-In Microwave and Grill



CM2400

PRODUCT CODE

CM2400

DIMENSIONS

← w:600mm

FINISH AVAILABLE

● Black Glass with
Stainless Steel

FEATURES

- 25 Litre capacity
- Touch control
- Auto cook menu
- Auto defrost by time and weight
- Speed cooking
- Child safety lock
- Timer
- End of cooking signal

DESIGN

- Stainless steel, black-spot feature bar handle
- Stainless steel interior
- White LED display

ACCESSORIES

- 315mm diameter glass turntable
- 1 Grill rack

INSTALLATION

- Diagram [p.272]
- Rated load 1.45kW
- Fuse rating 13A
- Microwave cooking 900W
- Grill 1000W

FEATURES

MULTI-STAGE COOKING

The CM2400 can be programmed to seamlessly change from one cooking method to another without you lifting a finger. For instance it can be set to defrost and, when finished, to cook straight after.

AUTO MENU

The auto cook menu gives you a set of preset cooking modes, each designed to provide you with the best possible results.



COOKING

62

63

MICROWAVES

Classic Built-In Microwave and Grill



CM119

PRODUCT CODE

CM119

DIMENSIONS

↔ w:595mm h:388mm
[inc. built-in frame]

FINISH AVAILABLE

● Stainless Steel

FEATURES

- 25 Litre capacity
- Auto cook menu
- Auto defrost
- Digital controls
- Defrost by time and weight
- Speed cooking
- Multi-stage cooking
- 5 microwave power levels
- Child safety lock
- Minute timer [up to 95mins]
- LCD display

DESIGN

- Stainless steel front/cavity
- Mark resistant finish

INSTALLATION

- *Diagram [p.272]*
- *Rated load 1.45kW*
- *Fuse rating 13A*
- *Microwave cooking 900W*
- *Grill 1000W*

Classic Built-In Combination Microwave



CM126

PRODUCT CODE

CM126

DIMENSIONS

↔ w:595mm h:460mm
[inc. built-in frame]

FINISH AVAILABLE

● Stainless Steel

FEATURES

- 25 Litre capacity
- Auto cook menu
- Auto defrost
- Speed cooking
- Multi-stage cooking
- Child safety lock
- Minute timer [up to 95mins]
- End of cooking signal
- LED display
- Push door
- Green LED display

DESIGN

- Stainless steel front/cavity
- Mark resistant finish

INSTALLATION

- *Diagram [p.272]*
- *Rated load 2.5kW*
- *Fuse rating 13A*
- *Microwave cooking 900W*
- *Grill 1000W*
- *Convection cooking 2500W*

Classic Built-In Microwave and Grill



CM123

PRODUCT CODE

CM123

DIMENSIONS

↔ w:595mm h:460mm
[inc. built-in frame]

FINISH AVAILABLE

● Stainless Steel

FEATURES

- 25 Litre capacity
- Auto cook menu
- Auto defrost
- Speed cooking
- Multi-stage cooking
- Child safety lock
- Minute timer [up to 95mins]
- End of cooking signal
- LED display
- Push door
- Green LED display

DESIGN

- Stainless steel front/cavity
- Mark resistant finish

INSTALLATION

- *Diagram [p.272]*
- *Rated load 2.45kW*
- *Fuse rating 13A*
- *Microwave cooking 900W*
- *Grill 1000W*

Classic Built-In Microwave and Grill



CM120

PRODUCT CODE

CM120

DIMENSIONS

↔ w:595mm h:382mm
[inc. built-in frame]

FINISH AVAILABLE

● Stainless Steel

FEATURES

- For building into a 300mm deep wall cabinet
- 17 Litre capacity
- Auto cook menu
- Auto defrost
- Speed cooking
- Multi-stage cooking
- Child safety lock
- Minute timer [up to 95mins]
- End of cooking signal
- LED display
- Push door
- Green LED display

DESIGN

- Stainless steel front/cavity
- Mark resistant finish

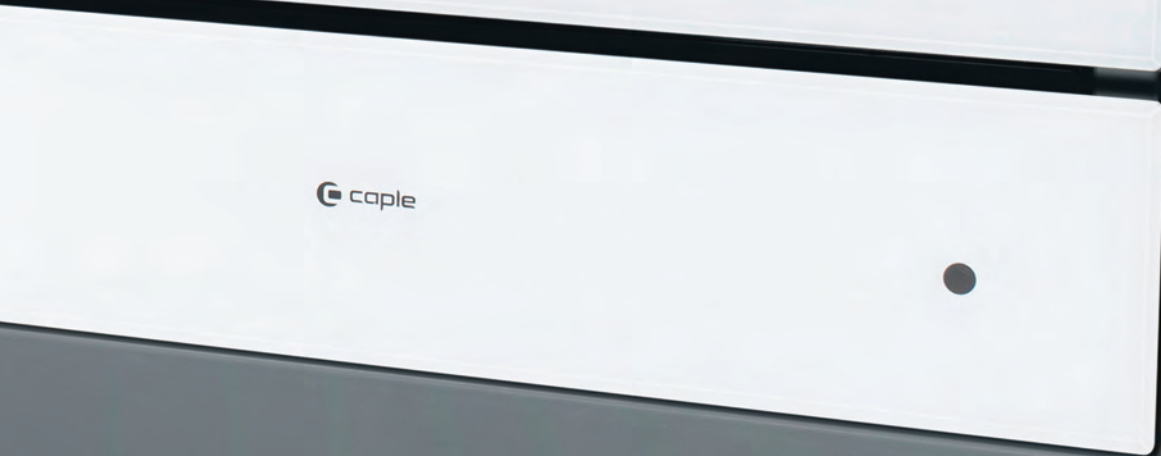
INSTALLATION

- *Diagram [p.272]*
- *Rated load 2.15kW*
- *Fuse rating 13A*
- *Microwave power 700W*
- *Grill power 1000W*

COFFEE MACHINES

Combining the subtle art of the barista with the very latest in coffee machine technology. Caple gives you perfect coffee at the touch of a button.





THE SECRET TO GREAT COFFEE

Fantastic coffee depends on many factors. The beans you use, the way they're ground, even what temperature it is and how it is frothed. Plus, of course, finding a coffee machine that's really up to the job.

MAKING A PERFECT ESPRESSO



What you're aiming for is a pour that starts out darkly coloured then turns into shades of caramel moving slowly, like honey. When it lightens up, stop pouring. If you don't crack it first time, keep trying.

If you like milk with your coffee, you'll also need to polish up your frothing skills. The texture depends on how the air enters the milk as you steam. You need a smooth, consistent texture where the foam and milk intertwine. Look out for blobs of froth on top, and don't boil it. If the jug's bottom is too hot to touch, it means the milk's probably reached the right temperature.

PRE-SET YOUR COFFEE

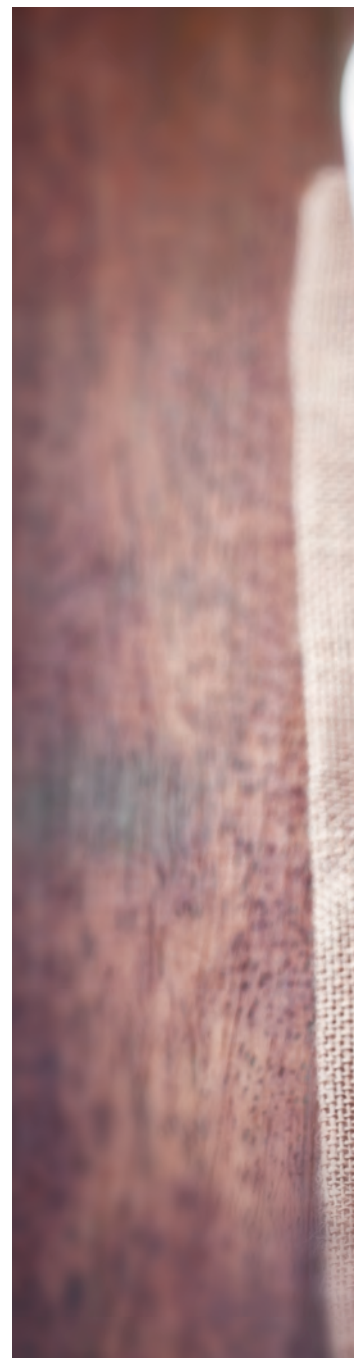
Adjust settings such as grind time, water volume, coffee and steam temperature. You can also choose how fine you want the coffee beans to be ground. So now you can have a great cup of coffee whenever you fancy it.

STORAGE OPTIONS



Keep your coffee cups and accessories stored together all in one place, with our storage drawer, SD1356 [p.78] and wooden drawer insert, SDCOFFEE [p.79].

It's stylish, organised and, if you place it near your coffee machine, it's also very convenient.





DON'T FORGET TO WARM UP

There's no point serving great coffee in a cold cup. So a warming drawer is an ideal addition to your coffee machine. It can sit just beneath it, ensuring your cup is just the right temperature before you pour. Any barista will tell you, it makes a big difference. See p.74-77 for more details on warming drawers.

Sense Premium and Sense Built-In Coffee Machines



CM471SS



CM471WH



CM461

PRODUCT CODE

- SP Stainless Steel and Black Glass
CM471SS
- SP White Glass
CM471WH
- Sense Black Glass
CM461

DIMENSIONS

- ↔ w:600mm

FINISH AVAILABLE

- Stainless Steel
- White Glass
- Black Glass with Stainless Steel

FEATURES

- Fully automatic
- Touch control
- Settings can be adjusted for making various hot drinks such as short espresso, long espresso, normal coffee, long coffee, warm milk, warm water or cappuccino
- Coffee bean grinder
- Coffee grinder adjustment to modify how fine the coffee beans are ground
- Coffee grind time adjustment to modify how long the coffee beans are ground for
- Drink volume adjustment to modify the amount of coffee dispensed
- Steam nozzle to heat and froth milk
- Coffee temperature control
- 2.5 Litre water tank
- Drip tray
- Used coffee ground bin
- Stand-by energy saving
- Cleaning warning
- Water filter
- White LED lighting

INSTALLATION

- Diagram [p.273]
- Rated load 2kW
- Fuse rating 13A





FEATURES



LED TOUCH CONTROL

Sleek touch controls allow you to choose the type of coffee instantly – one or two cups, espresso or white, decaffeinated, long coffee, hot water or steam.



DISPENSING NOZZLES

Filter options are provided to match the amount of coffee in use. The amount of water dispensed can be adjusted too, depending on the size of cup.



FROTHING NOZZLE

A powerful steam-frothing nozzle foams milk, letting you create various styles of coffee quickly and easily.



COMPANION PRODUCTS

Caple believes that kitchen is more than just a place to cook. It's also somewhere to entertain and be entertained. With that in mind, why not have a TV that fits seamlessly into your kitchen design or choose a stunning looking and eminently practical wine cabinet.

SENSE PREMIUM TV

Keeping you company while you cook, our built in TV is the ultimate in contemporary living.

Seamlessly integrated into your bank of appliances, with a 19" LED screen and video capabilities, the TV471 adds a touch of style to on-the-box entertainment. With lift up flexibility for added storage your TV is as adaptable as your cooking. [1]

SENSE PREMIUM WINE CABINET

Wine is very susceptible to its environment and over time the ever-changing external conditions can alter the taste and produce off flavours. That's why it's important to store your wine correctly.

Our wine cabinets incorporate simple, yet effective design elements to make sure nothing spoils the enjoyment of your wine.

Sense Premium Built-In Stainless Steel TV



TV471



PRODUCT CODE

SP TV471

DIMENSIONS

↔ w:600mm

PERFORMANCE

e Energy Class B

FINISH AVAILABLE

● Stainless Steel

FEATURES

- 19" LED television
- Screen format 16/9
- Video resolution 1366 x 768
- HD Ready
- DNIE+ video processor
- Wide colour enhancer plus
- 50 Hz motion plus
- Clear motion 100 speed
- DTV Tuner built-in
- Automatic channel search

- Power-off timer
- TeleText
- Lift up for added storage [1]

SOUND

- Output [RMS] 3W x 2
- Dolby Digital Plus, Dolby Pulse
- SRS Theatre Sound HD

INPUT/OUTPUT

- DVI Audio In [Mini Jack]: 1 [Common use for PC Audio In]
- Headphone
- HDMI x 2
- USB

ACCESSORIES

- Remote control

INSTALLATION*

- Diagram [p.273]
- Rated load 0.03kW
- Fuse rating 3A

*Not to be installed above an oven

Sense Premium In-Column Wine Cabinet



WC470

PRODUCT CODE

SP WC470

DIMENSIONS

↔ w:600mm

PERFORMANCE

- e Energy Class C
- Temperature range 5°C-22°C
- Ambient temperature 10°C-32°C
- Quiet operation 44dB

- Digital temperature display
- UV/heat-free internal blue LED lighting [switchable]
- Side-opening door [right hand opening]
- Toughened UV protected glass door
- Removable light wood shelves
- 3 Wooden telescopic shelves, one base shelf
- Black interior
- Child safety lock

FINISH AVAILABLE

● Stainless Steel

FEATURES

- Stainless steel, black-spot feature bar handle
- Touch control
- No frost compressor cooling technology maintains a consistent temperature

CAPACITY

- 1.76 Cu ft/50 Litre total net capacity
- 1.84 Cu ft/52 Litre total gross capacity
- Max. 24 Bordeaux style wine bottles 750ml

INSTALLATION

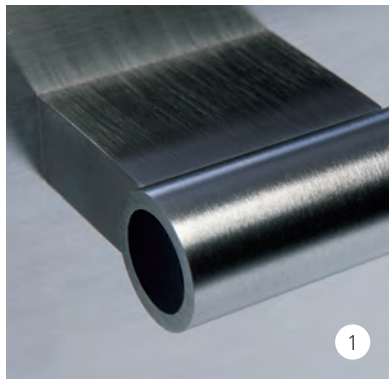
- Diagram [p.273]
- Rated load 0.01kW
- Fuse rating 3A



WARMING & STORAGE DRAWERS

There's nothing more disappointing than a hot meal served on a cool plate. Caple's warming drawers keep tableware at just the right temperature for when the food's ready to be served.

Why not add a storage drawer too? It's a convenient and stylish way to organise your coffee and wine accessories.



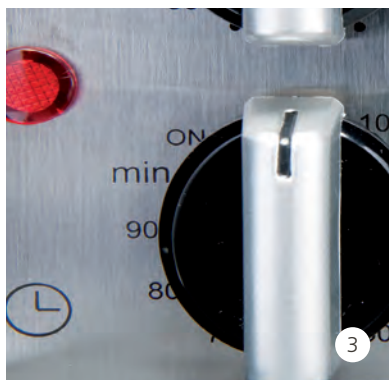
STAINLESS STEEL, BLACK-SPOT FEATURE BAR HANDLE

Featured on some models to complement our ovens and microwaves. [1]



QUALITY INTERIOR

Precision engineered sliding runners give a high-quality feel. All models feature either a protective anti-slip mat or stylish black base. [2]



MINUTE MINDER

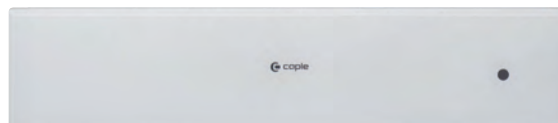
A mechanical timer controls the heating element, so when the timer sounds, the heater switches off too – no need to worry about over-heating. [3]

Warming Drawer



WMD1356

Sense Premium Warming Drawer



WMD1355WH

PRODUCT CODE

Stainless Steel
WMD1356
White Glass
WMD1355WH

SP

INSTALLATION

- Diagram [p.274]
- Rated load 0.4kW
- Fuse rating 3A

DIMENSIONS

↔ h:131mm

FINISH AVAILABLE

- Stainless Steel
- White Glass

FEATURES

- Fan heating
- Push/pull opening
- Dishes for a meal for 6 people take approx 2-4mins to heat up to 70°C
- Extremely rigid to support the weight of an appliance on top
- Maximum capacity 10kg or 6 dinner plates, 6 soup plates, 3 serving bowls and 2 platters
- 400W Heating element with tangential fan
- 30-70°C adjustable thermostat
- Smooth slide soft-close drawer runners and attractive black interior glass base



Warming Drawers



WMD2954



WMD1354

PRODUCT CODE

WMD2954
WMD1354

DIMENSIONS

↔ h:300mm WMD2954
h:140mm WMD1354

FINISH AVAILABLE

● Stainless Steel

WMD1354

UNIQUE FEATURES

- Maximum capacity 10kg or 6 dinner plates, 6 soup plates, 3 serving bowls and 2 platters

INSTALLATION

- *Diagram [p.274]*
- *Rated load 0.4kW*
- *Fuse rating 3A*

FEATURES

- Fan heating
- Stainless steel, black-spot feature bar handle
- Dishes for a meal for 6 people take approx 30mins to heat up to 70°C
- Extremely rigid to support the weight of an appliance on top
- 400W heating element with tangential fan
- 30-70°C adjustable thermostat
- Smooth slide soft-close drawer runners
- 90 Minute cut-off audible timer
- Anti-slip removable drawer liner
- On/off light

WMD2954

UNIQUE FEATURES

- Maximum capacity 20kg or 12 dinner plates, 12 soup plates, 6 serving bowls and 2 platters





STORAGE

Stylish, organised and, when placed near a coffee machine or wine cabinet, convenient too.

Storage Drawer



SD1356

PRODUCT CODE

SD1356

DIMENSIONS

h:131mm

FINISH AVAILABLE

Stainless Steel

FEATURES

- Push/pull opening
- Extremely rigid to support the weight of an appliance on top
- Maximum capacity 10kg
- Smooth slide soft-close drawer runners
- Attractive black interior glass base
- Storage drawer will take SDWINE and SDCOFFEE [see right] wooden inserts

INSTALLATION

- *Diagram [p.274]*

ADD YOUR ACCESSORIES

Both wooden inserts have been specially designed to hold all you need to make the perfect cup of coffee or enjoy your favourite glass of wine.

Wine Accessory Insert



SDWINE

PRODUCT CODE
SDWINE

DIMENSIONS
w:498mm
d:484mm
h:40mm

FINISH AVAILABLE
Solid Beech Wood

FEATURES

- Produced from solid beech wood
- Sections for various wine accessories including foil cutter, cork screw and thermometer
- 8 Separate storage sections
- Wine accessories not included
- Can only be used with SD1356

Coffee Accessory Insert



SDCOFFEE

PRODUCT CODE
SDCOFFEE

DIMENSIONS
w:498mm
d:484mm
h:40mm

FINISH AVAILABLE
Solid Beech Wood

FEATURES

- Produced from solid beech wood
- Sections for accessories including cups, spoons, coffee and sugar
- 7 Separate storage sections
- Coffee accessories not included
- Can only be used with SD1356



RANGE COOKERS



Range cookers are a natural choice for discerning cooks. You can add a touch of flair and sophistication to your kitchen and choose from a host of clever features.

Our range takes the benefits of range cookers to the next level. The majority of the ranges have electronic LED timers and every model comes with triple glazed heat reflective glass doors.

Gas models also feature a wok support, a triple burner and the Flame Safe feature to temporarily cut the gas supply if the flame goes out. There's also an option for a ceramic hob.



LED CONTROLS

Most models feature easy to manage time display and programming functions.

ROTISSERIE

Our CR9111 has a rotisserie for succulent oven roasting. [2]

DOOR GLASS

Heat reflective doors. Triple-glazed and incorporating a full inner glass panel that's easily removed for cleaning.

FLAME SAFE

A sensor in each burner immediately cuts the gas supply if the flame goes out. [1]

CAST-IRON SUPPORTS

Gas hob models come with robust cast iron pan and wok supports.

CATALYTIC LINERS

Self-cleaning catalytic liners available as an optional extra on all models.

LPG JETS

An alternative set of jets are supplied with each model so it can be used with bottled gas.

TELESCOPIC RUNNERS

Available on all Caple range cookers as an optional extra, making it easier and safer to check food whilst cooking.

Classic Electric Double Cavity Range Cookers



CR9228

FULL WIDTH GLASS DOORS



All Caple range cookers feature removable inner glass to make cleaning your oven a little bit less of a chore.

PRODUCT CODE
CR9228

DIMENSIONS

← w:900mm

PERFORMANCE

⊖ Main Oven A
Small Oven B

FINISH AVAILABLE

● Stainless Steel with
Black Glass

FUNCTIONS

- 8 Main Oven
- Light
 - Conventional heat
 - Top heat
 - Turbo base heat
 - Grill
 - Turbo grill
 - Fan heat
 - Turbo defrost

5 Small Oven

- Light
- Conventional heat
- Top heat
- Base heat
- Grill

HOB FEATURES

- 5 Ceramic Plates
- 1 Single rapid zone: 1.8kW
 - 2 Single simmer zones: 1.2kW
 - 1 Expandable zone: 1.0-2.2kW
 - 1 Variable zone: 1.1p-2.0Kw
 - Residual heat indicator lights for all zones

OVEN FEATURES

Main Oven

- 73 Litre capacity
- Fully programmable electronic LED timer

Small Oven

- 43 Litre capacity

General

- Triple glazed doors with heat reflective glass
- Full width glass doors with removable inner glass
- Closed door grilling
- Removable chrome shelf racks
- Tangential cooling fan
- Easy clean enamel
- Storage compartment

DESIGN

- Stainless steel, black-spot feature bar handles
- Stainless steel side panels
- Black glass doors

ACCESSORIES

- 1 Shelf with support racks in both main and small ovens
- 2 Grill pans with handles
- 1 Enamelled baking tray

OPTIONAL EXTRAS

- Pair of side catalytic liners suitable for main oven CAPCAT14
- Main oven shelf SHELCR1
- Main oven enamelled baking tray TRAYCR1
- 1 Set of telescopic runners CAPRACK5
- Small oven shelf SHELCR2

Visit caple.co.uk for full range

INSTALLATION

- Diagram [p.275]
- Rated load 12.78kW
- Fuse rating 56A

Classic Dual Fuel Double Cavity Range Cooker



CR9209

ALL THE HEAT, RIGHT WHERE YOU NEED IT



All our range cookers have triple-glazed doors with heat-reflective glass. It means the oven door is cool to touch, while the heat is retained inside where it's needed. It's safer, more energy-efficient and it even makes for better cooking. All our range cookers have precision-engineered stainless steel handles, inset with black-spot glass detail.

PRODUCT CODE
CR9209

DIMENSIONS
w:900mm

PERFORMANCE
Main Oven A
Small Oven B

FINISH AVAILABLE
Stainless Steel with Black Glass

FUNCTIONS
8 Main Oven
- Light
- Conventional heat
- Top heat
- Turbo base heat
- Grill
- Turbo grill
- Fan heat
- Turbo defrost

5 Small Oven
- Light
- Conventional heat
- Top heat
- Base heat
- Grill

HOB FEATURES
5 Gas Burners
- 1 Rapid burner: 3kW
- 1 Simmer burner: 1kW
- 2 Semi-rapid burners: 1.75kW
- 1 Triple ring burner: 3.7kW
- Auto electronic ignition
- Flame safety device
- Cast iron pan and wok supports

OVEN FEATURES

Main Oven

- 73 Litre capacity
- Fully programmable electronic LED timer

Small Oven

- 43 Litre capacity

General

- Triple glazed doors with heat reflective glass
- Full width glass doors with removable inner glass
- Closed door grilling
- Removable chrome shelf racks
- Tangential cooling fan
- Easy clean enamel
- Storage compartment
- LPG jets included

DESIGN

- Stainless steel, black-spot feature bar handles
- Stainless steel side panels
- Black glass doors

ACCESSORIES

- 1 Shelf with support racks in both main and small ovens
- 2 Grill pans with handles
- 1 Enamelled baking tray

OPTIONAL EXTRAS

- Pair of side catalytic liners suitable for main oven CAPCAT14
- Main oven shelf SHELF CR1
- Main oven enamelled baking tray TRAY CR1
- 1 Set of telescopic runners CAPRACK5
- Small oven shelf SHELF CR2

Visit caple.co.uk for full range

INSTALLATION

- Diagram [p.275]
- Rated load 4.6kW
- Fuse rating 20A

Classic Gas Single Cavity Range Cooker



CR9111

PRODUCT CODE
CR9111

DIMENSIONS

↔ w:900mm

PERFORMANCE

e Energy Class A

FINISH AVAILABLE

● Stainless Steel with Black Glass

FUNCTIONS

4 Main Oven

- Light
- Gas grill
- Gas cooking
- Rotisserie cooking

HOB FEATURES

5 Gas Burners

- 1 Rapid burner: 3kW
- 1 Simmer burner: 1kW
- 2 Semi-rapid burners: 1.75kW
- 1 Triple ring burner: 3.7kW
- Auto electronic ignition
- Flame safety device
- Cast iron pan and wok supports

OVEN FEATURES

- 85 Litre capacity
- Minute minder [mechanical timer]
- Triple glazed door with heat reflective glass
- Full width glass doors with removable inner glass
- Closed door grilling
- Removable chrome shelf racks
- Tangential cooling fan
- Easy clean enamel
- Storage compartment
- LPG jets included

DESIGN

- Stainless steel, black-spot feature bar handle
- Stainless steel side panels
- Black glass door

ACCESSORIES

- 1 Shelf with support racks
- 1 Grill pan with handle
- 1 Enamelled baking tray
- 1 Rotisserie rack

OPTIONAL EXTRAS

- Pair of side catalytic liners CAPCAT15
- 1 Set of telescopic runners CAPRACK6
- Oven shelf SHELFCR3
- Enamelled baking tray TRAYCR2

Visit cagle.co.uk for full range

INSTALLATION

- Diagram [p.275]
- Fuse rating 3A

Classic Dual Fuel Single Cavity Range Cooker



CR9109

PRODUCT CODE
CR9109

DIMENSIONS

↔ w:900mm

PERFORMANCE

e Energy Class A

FINISH AVAILABLE

● Stainless Steel with Black Glass

FUNCTIONS

5 Main Oven

- Light
- Grill
- Turbo grill
- Fan heat
- Turbo defrost

HOB FEATURES

5 Gas Burners

- 1 Rapid burner: 3kW
- 1 Simmer burner: 1kW
- 2 Semi-rapid burners: 1.75kW
- 1 Triple ring burner: 3.7kW
- Auto electronic ignition
- Flame safety device
- Cast iron pan and wok supports

OVEN FEATURES

- 103 Litre capacity
- Programmable electronic LED timer
- Triple glazed door with heat reflective glass
- Full width glass doors with removable inner glass
- Closed door grilling
- Removable chrome shelf racks
- Tangential cooling fan
- Easy clean enamel
- Storage compartment
- LPG jets included

DESIGN

- Stainless steel, black-spot feature bar handle
- Stainless steel side panels
- Black glass door

ACCESSORIES

- 1 Shelf with support racks
- 1 Grill pan with handle
- 1 Enamelled baking tray

OPTIONAL EXTRAS

- Pair of side catalytic liners CAPCAT15
- 1 Set of telescopic runners CAPRACK6
- Oven shelf SHELFCR3
- Enamelled baking tray TRAYCR2

Visit cagle.co.uk for full range

INSTALLATION

- Diagram [p.275]
- Rated load 3.15kW
- Fuse rating 13A



COOKING

84

85

RANGE COOKERS





HOBS

Whether you choose gas, electric or induction, Caple's advanced technology and unswerving eye for detail means real control and stylish good looks every time.

CHOOSING THE RIGHT HOB

Induction, electric, gas? All these hobs have their merits, so it's really down to personal choice. You could even have the best of all worlds by combining all three.

INDUCTION

Uses leading-edge technology by creating a magnetic field between the hob and pan. They're quick, easy to use and energy efficient.



ELECTRIC

The smooth glass finish of a ceramic hob makes cleaning easier. They're sleek and look very contemporary, making them ideal for more modern kitchens. If budget is a real consideration, electric sealed plates could be for you.



GAS

Most professional kitchens opt for gas. Heat is instant and control is intuitive. You can choose either stainless steel or coloured enamel finishes.



MIX AND MATCH MODULAR HOBS

Any number of modules can be mixed together in any sequence. In fact, the options are almost endless [find out more on p.114].



INDUCTION HOBS

They're hygienic, more energy-efficient, safer and easier to use.

They work by creating a magnetic field between the hob and the pan. Heat is instant, and it's easy to control. Once you remove the pan, they cool down very quickly, which is handy if kids are about. They're more energy-efficient because they only heat the pan area itself, rather than all around it. In fact, they use around 25% less energy than some hobs.



C875i

BRIDGE FUNCTION

Our C855i and C875i [shown above] are multi zone induction hobs. They provide complete flexibility allowing either the use of four individual zones or combining zones into two larger zones.

If you cook regularly using oversized pans like fish kettles, these hobs will handle them with ease.

BOOSTER AND BOOSTER+

Saves time by allowing increased power for a quicker boiling time.

Booster+ provides even further power and performance.

PAUSE FUNCTION

This allows you to temporarily stop the entire hobs cooking activity and then restart it at the same settings.



MEMORY RECALL

After switching the hob off, it is possible to recall the last used settings with a couple of simple button presses.

AUTOMATIC PAN DETECTION

This feature detects when a suitable pan has been placed on a cooking zone, helping to eliminate the possibility of the hob being activated by a non-suitable object.

ANTI-OVERFLOW, BOIL CONTROL AND ANTI-OVERHEAT

Some models include intuitive features to make cooking that little bit easier. Anti-overflow automatically cuts of the cooking zone if liquid boils over onto the control panel. Luckily boil control maintains a temperature of 94°C, just below boiling, whilst anti-overheat prevents the hob from overheating.

Induction Downdraft Extractor with Light



DD931BK

PRODUCT CODE
DD931BK

DIMENSIONS
w:898mm

PERFORMANCE
Energy Class A-C
For energy and performance see p.140-143

FINISH AVAILABLE
Black Glass

FEATURES

Hob

- Frameless with bevelled edge
- Slider touch control
- 10 Power level digital display for each zone [0-9 plus Booster]
- Booster function on all zones [p.89]
- Bridge function to combine 2 zones
- Timer
- Memory recall function
- Keep warm function
- Pause function
- Child safety lock
- Residual heat indicators
- Automatic safety shut-off
- Anti-overheat

Downdraft

- Touch control
- 4 Speeds
- Auto timer
- 5W LED light strip
- Aluminium grease filters
- Required ducting size 150mm
- Motor not included

COOKING OUTPUT

- 4 Induction Zones
- 184x220mm – 3.7kW

MOTOR CHOICES

- Downdraft extractors will need to be purchased with a motor. For the full range please see p.138-143

OPTIONAL EXTRAS

- Recirculation kit [CAP43CF - only for use with motors DDMEXT10 & DDMEXT27]

Visit caple.co.uk for full range

INSTALLATION

- *Diagram [p.275]*

Multiple Zone Induction Hob



C950i

PRODUCT CODE
C950i

DIMENSIONS
Varies according to formation

FINISH AVAILABLE
Black Glass

FEATURES

- Frameless
- Slider touch control with direct access
- Can be flush mounted or inset
- 11 Level digital power display for each zone [0-9 plus keep warm and Booster]
- Booster function on all zones [p.89]
- Programmable timer to set cooking duration and finishing time on each individual zone [up to 99 mins]
- Keep warm function
- Memory recall function
- Pause function
- Child safety lock
- Residual heat indicators
- Automatic safety shut-off
- Automatic pan detection
- Anti-overheat
- Anti-overflow

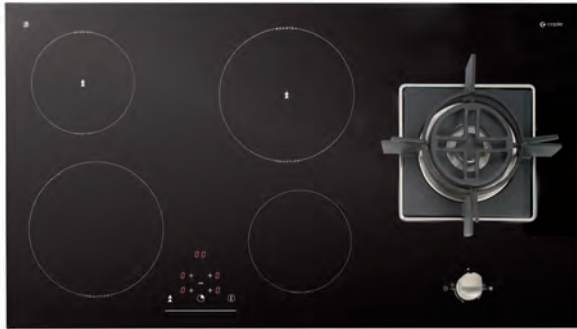
COOKING OUTPUT

- 4 Induction Zones
- 2 Dia. 300mm – 3kW
- 2 Dia. 270mm – 1.4kW

INSTALLATION

- *Diagram [p.276]*
- *Rated load 7.4kW*
- *Fuse rating 25A*

Induction Gas Mixed Hobs



C895iBK



C895iWH

PRODUCT CODE

Black Glass C895iBK
White Glass C895iWH

DIMENSIONS

↔ w:900mm

FINISH AVAILABLE

- Black Glass
- White Glass

FEATURES

- Bevelled edges

INDUCTION

- Audible touch control
- 9 Level digital power display for each zone
- 2 Booster zones [p.89]
- Programmable timer to set cooking duration and finishing time on each individual zone [up to 99 mins]
- Pause function
- Child safety lock
- Residual heat indicators
- Automatic safety shut-off
- Automatic pan detection
- Anti-overheat

GAS

- Flame safety device
- Cast iron pan supports
- Under burner tray
- Auto electronic ignition
- LPG jets included

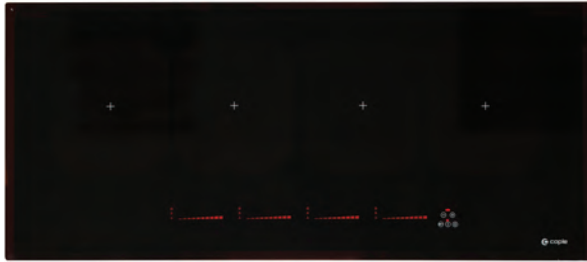
COOKING OUTPUT

- 4 Induction Zones
 - 1 Dia. 160mm – 1.4kW
 - 1 Dia. 160mm – 1.85kW
 - 1 Dia. 200mm – 2.3kW
 - 1 Dia. 200mm – 3kW
- 1 Gas Burner
 - 1 Triple ring wok burner 4kW

INSTALLATION

- Diagram [p.276]
- Rated load 7.4kW
- Fuse rating 32A

Ribbon Induction Hob



C875i



**Auto-on function:
Once the hob is switched on and a pan is placed on the required zone the corresponding power display automatically illuminates ready for use.*

PRODUCT CODE

C875i

DIMENSIONS

↔ w:910mm

FINISH AVAILABLE

● Black Glass

FEATURES

- Frameless
- Slider touch control with direct access
- Can be flush mounted or inset
- 14 Level digital power display for each zone [0-9, bake 42°C, keep warm 70°C, boil control 94°C, Booster and Booster+]
- Booster and Booster+ function on all zones [p.89]
- Auto-on* digital display
- Bridge** function to create 2 large zones
- Programmable timer to set cooking duration and finishing time on each individual zone [up to 99 mins]
- Memory recall function
- Pause function
- Child safety lock
- Residual heat indicators
- Automatic safety shut-off
- Automatic pan detection
- Anti-overheat
- Anti-overflow

COOKING OUTPUT

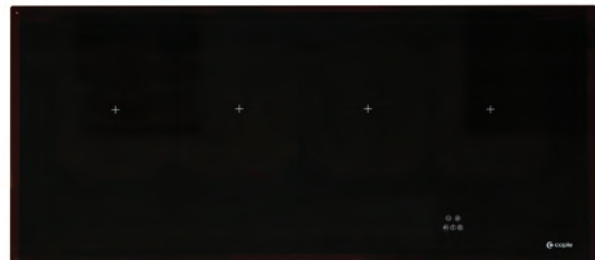
- 4 Induction Zones
- 220 x 180mm – 3.7kW

INSTALLATION

- Diagram [p.276]
- Rated load 7.4kW
- Fuse rating 25A



***Bridge function:
Bridge function can be used to create 2 large zones for use with oversized pans like fish kettles.*



When the hob is not in use the subtle design means it can discreetly keep a low-profile on any worktop

Induction Hob



C900i

PRODUCT CODE

C900i

DIMENSIONS

↔ w:880mm

FINISH AVAILABLE

● Black Glass

FEATURES

- Frameless
- Rotary touch control with direct access
- Can be flush mounted or inset
- 11 Level digital power display for each zone [0-9, keep warm and Booster]
- Booster function on all zones [p.89]
- Programmable timer to set cooking duration and finishing time on each individual zone [up to 99 mins]
- Memory recall function
- Pause function
- Child safety lock
- Residual heat indicators
- Automatic safety shut-off
- Automatic pan detection
- Anti-overheat
- Anti-overflow

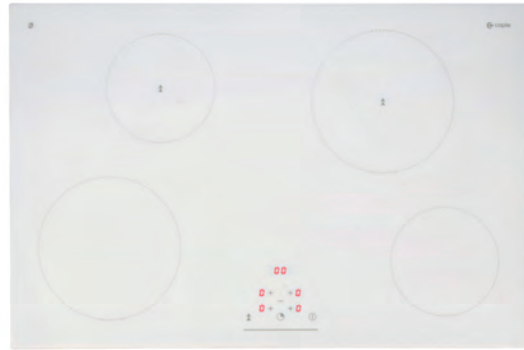
COOKING OUTPUT

- 5 Induction Zones
- 1 Dia. 160mm – 1.4kW
 - 1 Dia. 180mm – 1.4kW
 - 1 Dia. 180mm – 2kW
 - 1 Dia. 210mm – 3kW
 - 1 Dia. 280mm – 3kW

INSTALLATION

- Diagram [p.276]
- Rated load 7.4kW
- Fuse rating 25A

Induction Hob



C867i

PRODUCT CODE

C867i

DIMENSIONS

↔ w:780mm

FINISH AVAILABLE

○ White Glass

FEATURES

- Frameless
- Audible touch controls
- Can be flush mounted or inset
- 9 Level LED power display for each zone
- 2 Booster zones [p.89]
- Programmable timer to set cooking duration and finishing time on each individual zone [up to 99 mins]
- Child safety lock
- Residual heat indicators
- Automatic safety shut-off
- Automatic pan detection
- Anti-overheat
- Anti-overflow

COOKING OUTPUT

- 4 Induction Zones
- 2 Dia. 170mm – 1.4kW
 - 2 Dia. 210mm – 3kW

INSTALLATION

- Diagram [p.276]
- Rated load 7.4kW
- Fuse rating 32A



Induction Hob



C855i

PRODUCT CODE

C855i

INSTALLATION

- Diagram [p.277]
- Rated load 7.2kW
- Fuse rating 32A

DIMENSIONS

↔ w:590mm

FINISH AVAILABLE

● Black Glass

FEATURES

- Frameless
- Slider touch control with direct access
- 10 Level digital power display for each zone [0-9 plus Booster]
- Booster on each zone [p.89]
- Multi split zones
- Programmable timer to set cooking duration and finishing time on each individual zone [up to 99 mins]
- Pause function
- Child safety lock
- Residual heat indicators
- Automatic pan and small object detection
- Automatic safety shut-off
- Anti-overheat

COOKING OUTPUT

- 4 Induction Zones
 - 4 Dia. 220mm – 3kW
- 2 Alternative Dual Zones
 - 2 Dia. 220 x 400mm – 4kW

MULTI SPLIT ZONES

The multi split zones provide complete flexibility in allowing either use of 4 individual zones, the option to combine zones into 2 larger zones for use with oversized pans like fish kettles.

Induction Hob



C863i

PRODUCT CODE

C863i

DIMENSIONS

↔ w:770mm

FINISH AVAILABLE

● Black Glass

FEATURES

- Frameless
- Slider touch control with direct access
- 10 Level digital power display for each zone [0-9 plus Booster]
- Booster on each zone [p.89]
- 99 Minute minder
- Child safety lock
- Residual heat indicators
- Automatic safety shut-off
- Automatic pan detection
- Anti-overheat

COOKING OUTPUT

- 4 Induction Zones
- 4 Dia. 200mm – 3kW

INSTALLATION

- Diagram [p.277]
- Rated load 7.2kW
- Fuse rating 30A

Induction Hob



C854i

PRODUCT CODE

C854i

DIMENSIONS

↔ w:590mm

FINISH AVAILABLE

● Black Glass

FEATURES

- Frameless
- Slider touch control with direct access
- 10 Level digital power display for each zone [0-9 plus Booster]
- Booster on each zone [p.89]
- 99 Minute timer
- Child safety lock
- Residual heat indicators
- Automatic safety shut-off
- Automatic pan detection

COOKING OUTPUT

- 4 Induction Zones
- 2 Dia. 140mm – 1.5kW with Booster
 - 2 Dia. 220mm – 2.6kW with Booster

INSTALLATION

- Diagram [p.277]
- Rated load 7kW
- Fuse rating 32A

Induction Hob



C850i


PRODUCT CODE

C850i

DIMENSIONS

 w:590mm

FINISH AVAILABLE

 Black Glass

FEATURES

- Frameless
- Touch control
- 9 Level digital power display for each zone
- 99 Minute timer
- Child safety lock
- Residual heat indicators
- Automatic safety shut-off
- Automatic pan detection

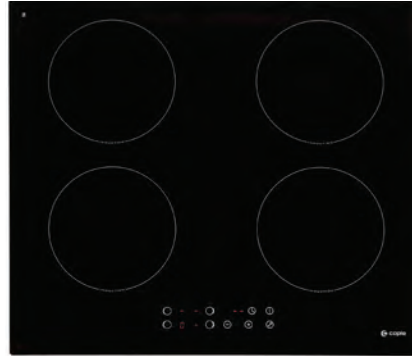
COOKING OUTPUT

- 4 Induction Zones
- 2 Dia. 140mm – 1.5kW
- 2 Dia. 180mm – 2kW

INSTALLATION

- Diagram [p.277]
- Rated load 7.2kW
- Fuse rating 32A

Induction Hob - 13 Amp



C840i

PRODUCT CODE

C840i

DIMENSIONS

 w:590mm

FINISH AVAILABLE

 Black Glass

FEATURES

- Frameless
- Touch control
- 9 Level digital power display
- 99 Minute timer
- Child safety lock
- Residual heat indicators
- Automatic safety shut-off
- Automatic pan detection
- Anti-overheat
- Supplied with a 13A plug [shown right] for easy installation in any kitchen

COOKING OUTPUT

- 4 Induction Zones
- 2 Dia. 180mm – 1.5kW
- 2 Dia. 180mm – 2kW

INSTALLATION

- Diagram [p.277]
- Rated load 3kW
- Fuse rating 13A



PLEASE NOTE: The C840i induction hob achieves a 13A connection by restricting the maximum load to 3kW, this is done by cleverly limiting the combined zones to a maximum power level sum of 12.

For example if you had boiling water on power level 6 on one zone you could cook rice on power level 4 and gently warm food on level 2 on a third zone.



COOKING

96

97

INDUCTION HOBBS





THE POWER OF ELECTRIC HOBS

Caple's electric hobs are engineered with performance, versatility and ease of use in mind.

Every Caple hob has four separate zones offering different sizes, with individual lights that glow when activated. Our C814C model includes audible touch controls, while the others in the range have traditional dial controls.

The smooth black glass makes cleaning easy and thanks to minimalist styling both our frameless ceramic models will fit into any type of kitchen. Finally, our stainless steel C605E hob is a superb all-around performer, providing varied zone sizes and power levels.

Electric Ceramic Hob



C814C

PRODUCT CODE

C814C

DIMENSIONS

← w:590mm

FINISH AVAILABLE

● Black Glass

FEATURES

- Frameless
- Touch control
- 9 Level digital power display
- 99 Minute timer
- Residual heat indicators
- Child safety lock
- Automatic safety shut-off

COOKING OUTPUT

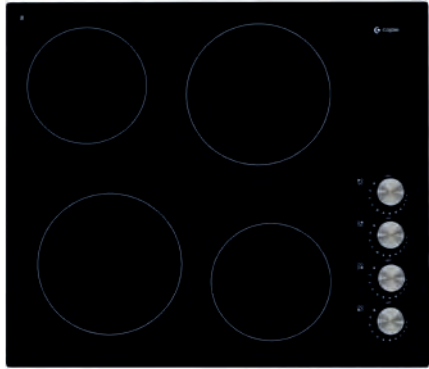
- 4 Ceramic Plates
- 2 Dia. 200mm – 1.8kW
- 2 Dia. 165mm – 1.2kW

INSTALLATION

- *Diagram [p.277]*
- *Rated load 6kW*
- *Fuse rating 30A*



Electric Ceramic Hob



C807C

PRODUCT CODE

C807C

DIMENSIONS

↔ w:590mm

FINISH AVAILABLE

● Black Glass

FEATURES

- Frameless
- Indicator lights for each zone
- Residual heat indicators

COOKING OUTPUT

- 4 Ceramic Plates
- 2 Dia. 200mm – 1.8kW
- 2 Dia. 165mm – 1.2kW

INSTALLATION

- Diagram [p.277]
- Rated load 6kW
- Fuse rating 32A

Electric Sealed Plate Hob



C605E

PRODUCT CODE

C605E

DIMENSIONS

↔ w:580mm

FINISH AVAILABLE

● Stainless Steel

FEATURES

- Neon indicator lights
- 6 Power levels

COOKING OUTPUT

- 4 Sealed Plates
- 1 Redspot plate:
Dia. 188mm – 2kW
- 2 Regular plates:
Dia. 155mm – 1kW
- 1 Regular plate:
Dia. 188mm – 1.5kW

INSTALLATION

- Diagram [p.277]
- Rated load 5.5kW
- Fuse rating 25A

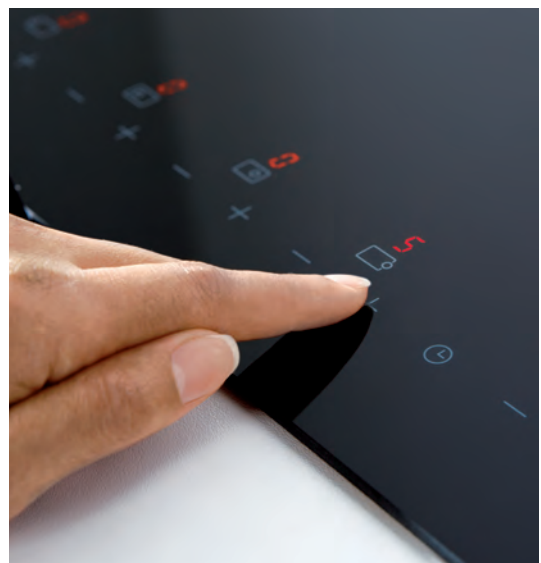
GAS-ON-GLASS HOBS

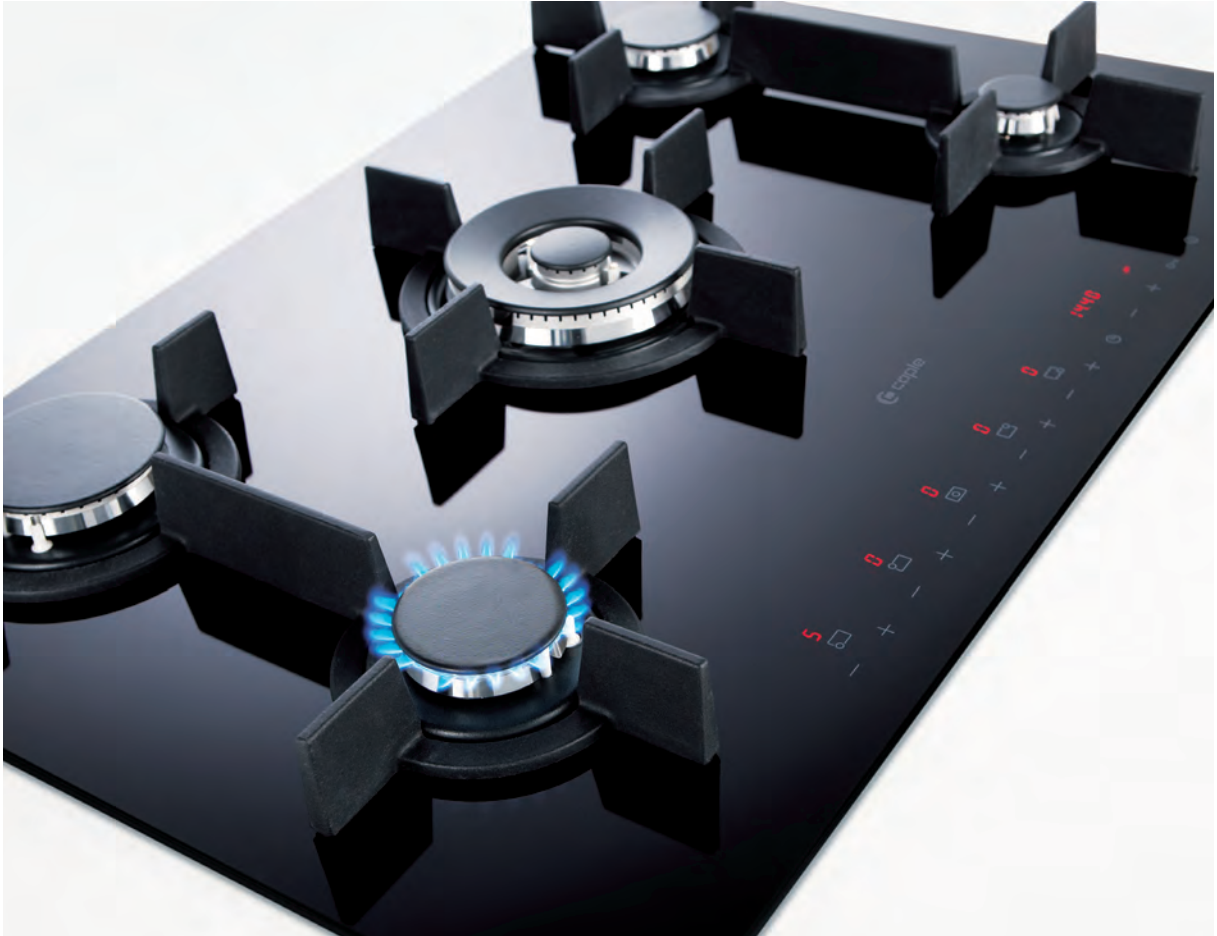
Cool black or white glass. Sleek touch controls. Advanced engineering technology. If you're looking for a hob that combines contemporary design with power and functionality, this one ticks all the boxes.

That elegant glass surface doesn't just look stunning, it makes your hob simple to clean, while linked cast iron pan supports on most models lets you easily transfer pans across burners or away from the heat. All burners are Flame Safe, so if a flame is extinguished for any reason, the gas supply is cut straight away. Some hobs also feature a responsive triple ring burner for extra powerful cooking.

Taking the gas-on-glass theme even further, we offer cool black or ice white tempered glass with bevelled edges for breathtakingly good looks.

Precision cooking and sleek design-led finishing are the hallmark of Caple hobs.





PRECISION BUILT-IN

Touch controls set into black tempered glass look fabulous, but beauty is more than skin deep. Advanced digital technology gives you nine precise power levels on each burner, so they also offer an exceptional level of control. The look is pure Sense. The functionality is pure Caple.

Touch Control Gas-On-Glass Hob



C981G

PRODUCT CODE

C981G

DIMENSIONS

↔ w:790mm

FINISH AVAILABLE

● Black Glass

FEATURES

- Touch control
- 9 Level digital power display for each zone
- End of cooking timer
- Child safety lock
- Residual heat indicators
- Flame safety device with auto restart
- Cast iron pan supports
- Auto electronic ignition
- LPG jets included

5 Gas Burners

- 1 Triple ring burner: 4kW
- 1 Rapid burner: 3kW
- 2 Semi-rapid burners: 1.75kW
- 1 Simmer burner: 1kW

INSTALLATION

- *Diagram [p.278]*
- *Fuse rating 3A*

Touch Control Gas-On-Glass Hob



C1081G

PRODUCT CODE

C1081G

DIMENSIONS

↔ w:1000mm

FINISH AVAILABLE

● Black Glass

FEATURES

- Touch control
- 9 Level digital power display for each zone
- End of cooking timer
- Child safety lock
- Residual heat indicators
- Flame safety device with auto restart
- Cast iron pan supports
- Auto electronic ignition
- LPG jets included

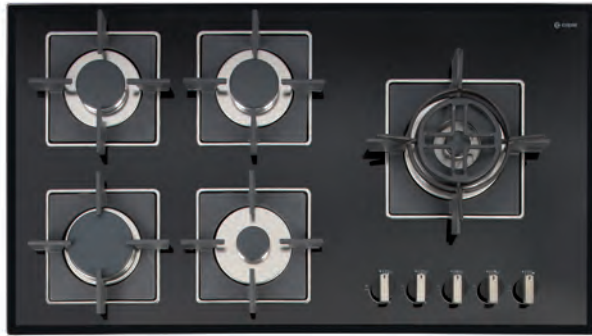
4 Gas Burners

- 1 Triple ring burner: 4kW
- 1 Rapid burner: 3kW
- 1 Semi-rapid burner: 1.75kW
- 1 Simmer burner: 1kW

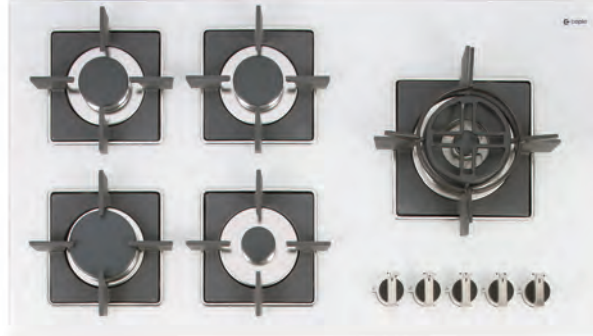
INSTALLATION

- *Diagram [p.278]*
- *Fuse rating 3A*

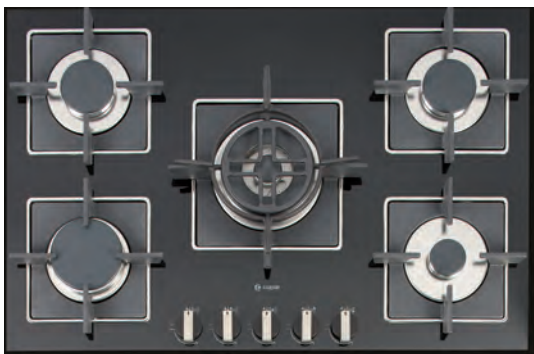
Gas-On-Glass Hobs



C880GBK



C880GWH



C870GBK



C870GWH

PRODUCT CODE

Black Glass	C880GBK
White Glass	C880GWH
Black Glass	C870GBK
White Glass	C870GWH

DIMENSIONS

↔	w:909mm	C880GBK
	w:909mm	C880GWH
	w:770mm	C870GBK
	w:770mm	C870GWH

FINISH AVAILABLE

- Black Glass
- White Glass

FEATURES

- Bevelled edges
- Flame safety device
- Cast iron pan supports
- Under burner trays
- Auto electronic ignition
- LPG jets included

- 5 Gas Burners
 - 1 Triple ring burner: 4kW
 - 1 Rapid burner: 3kW
 - 2 Semi-rapid burners: 1.75kW
 - 1 Simmer burner: 1kW

INSTALLATION

- Diagram [p.278]
- Fuse rating 3A

Gas-On-Glass Hob



C769G



C759G



C739G

PRODUCT CODE

C769G
C759G
C739G

DIMENSIONS

← w:900mm	C769G
w:750mm	C759G
w:600mm	C739G

FINISH AVAILABLE

- Black Glass with Stainless Steel

FEATURES

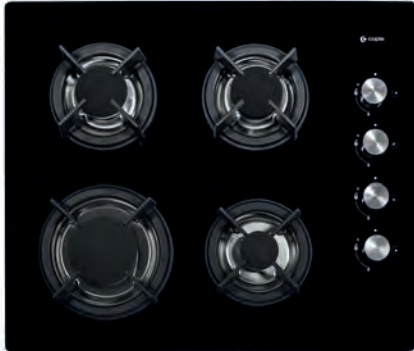
- Stainless steel front trim
- Flame safety device
- Cast iron pan supports
- Auto electronic ignition
- LPG jets included

- 5 Gas Burners [C769G & C759G]
 - 1 Triple ring burner: 3.8kW
 - 1 Rapid burner: 3kW
 - 2 Semi-rapid burners: 1.75kW
 - 1 Simmer burner: 1kW
- 4 Gas Burners [C739G]
 - 1 Rapid burner: 3kW
 - 2 Semi-rapid burners: 1.75kW
 - 1 Simmer burner: 1kW

INSTALLATION

- Diagram [p.278]
- Fuse rating 3A

Gas-On-Glass Hob



C743G

PRODUCT CODE
C743G

INSTALLATION
- Diagram [p.278]
- Fuse rating 3A

DIMENSIONS

← w:600mm

FINISH AVAILABLE

● Black Glass

FEATURES

- Flame safety device
- Cast iron pan supports
- Auto electronic ignition
- LPG jets included

4 Gas Burners

- 1 Rapid burner: 3kW
- 2 Semi-rapid burners: 1.75kW
- 1 Simmer burner: 1kW



FLUSH MOUNTED GAS HOBS

The look says it all. Designed to fit perfectly with the clean and uncluttered lines of a modern kitchen, this innovative hob offers more than superb styling, it provides real practical advantages too.

Flush mounted or inset into your worktop, the recessed hob is the ideal match for solid surface worktop materials like marble, granite or slate. Flat cast iron supports mean that you can move pans across the hob effortlessly, and Caple's Flame Safe feature gives you peace of mind – if a flame goes out – the gas supply is cut almost immediately. Both models also feature a powerful triple ring burner.

CLEAN LINES

With their elegant low-profile recessed design and smart styling, these superb hobs maintain the clean linear lines of your kitchen. They're thoroughly practical too - the hob's recess catches any spills and makes it easy to wipe down and clean.



Flush Mounted Gas Hob



C972G

PRODUCT CODE

C972G

DIMENSIONS

↔ w:890mm

FINISH AVAILABLE

● Stainless Steel

FEATURES

- Can be flush mounted or inset
- Flame safety device
- Cast iron pan supports
- Auto electronic ignition
- LPG jets included

5 Gas Burners

- 1 Triple ring burner: 3.8kW
- 1 Rapid burner: 3kW
- 2 Semi-rapid burners: 1.75kW
- 1 Simmer burner: 1kW

INSTALLATION

- *Diagram [p.278]*
- *Fuse rating 3A*

Flush Mounted Gas Hob



C1072G

PRODUCT CODE

C1072G

DIMENSIONS

↔ w:1100mm

FINISH AVAILABLE

● Stainless Steel

FEATURES

- Can be flush mounted or inset
- Flame safety device
- Cast iron pan supports
- Auto electronic ignition
- LPG jets included

4 Gas Burners

- 1 Triple ring burner: 4kW
- 1 Rapid burner: 3kW
- 1 Semi-rapid burner: 1.75kW
- 1 Simmer burner: 1kW

INSTALLATION

- *Diagram [p.278]*
- *Fuse rating 3A*

LOW PROFILE GAS HOBS

Unrivalled performance and looks, coupled with ease of fitting. Caple low profile hobs are designed to sit on top of the work surface with the smallest of edges.

They give you the appearance of a professional kitchen with added Caple refinement.



Low Profile Gas Hobs



C873G



C866G



C848G

PRODUCT CODE

C873G
C866G
C848G

DIMENSIONS

↔	w:890mm	C873G
	w:750mm	C866G
	w:590mm	C848G

FINISH AVAILABLE

- Stainless Steel

FEATURES

- Flame safety device
- Cast iron pan supports
- Auto electronic ignition
- LPG jets included

5 Gas Burners [C873G & C866G]

- 1 Triple ring burner: 3.8kW
- 1 Rapid burner: 3kW
- 2 Semi-rapid burners: 1.75kW
- 1 Simmer burner: 1kW

4 Gas Burners [C848G]

- 1 Rapid burner: 3kW
- 2 Semi-rapid burners: 1.75kW
- 1 Simmer burner: 1kW

INSTALLATION

- *Diagram [p.279]*
- *Fuse rating 3A*



Gas Hobs



C774G



C767G



C749G

PRODUCT CODE

C774G
C767G
C749G

DIMENSIONS

↔	w:860mm	C774G
	w:750mm	C767G
	w:590mm	C749G

FINISH AVAILABLE

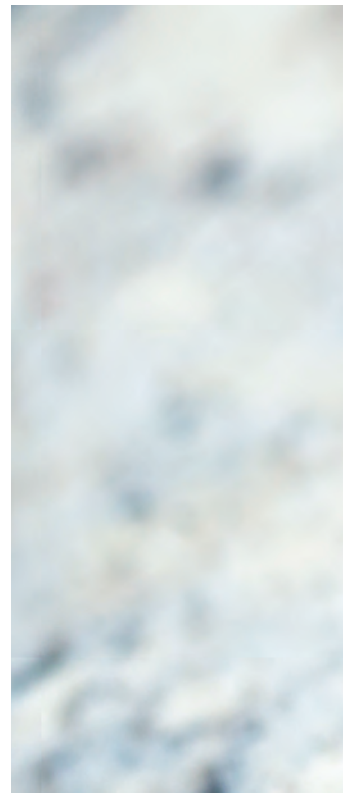
- Stainless Steel

FEATURES

- Flame safety device
 - Cast iron pan supports
 - Auto electronic ignition
 - LPG jets included
- 5 Gas Burners [C774G & C767G]
- 1 Triple ring burner: 3.3kW
 - 1 Rapid burner: 3kW
 - 2 Semi-rapid burners: 1.75kW
 - 1 Simmer burner: 1kW
- 4 Gas Burners [C749G]
- 1 Rapid burner: 3kW
 - 2 Semi-rapid burners: 1.75kW
 - 1 Simmer burner: 1kW

INSTALLATION

- *Diagram [p.279]*
- *Fuse rating 3A*



Gas Hobs



C705G

PRODUCT CODE

C705G

DIMENSIONS

← w:590mm

FINISH AVAILABLE

● Stainless Steel

FEATURES

- Flame safety device
- Enamelled pan supports
- Auto electronic ignition
- LPG jets included

4 Gas Burners

- 1 Rapid burner: 3kW
- 2 Semi-rapid burners: 1.75kW
- 1 Simmer burner: 1kW

INSTALLATION

- *Diagram [p.279]*
- *Fuse rating 3A*





MODULAR HOBS

Now you can build the perfect hob for your needs. Combine gas, electric, induction and modular extraction for a truly bespoke solution that's sure to impress.

Combine two, three, four or more modules, of any type and in any sequence. Introduce induction cooking into your kitchen by combining it with gas or electric, or wow with tepan [a grill plate perfect for flash frying] and induction wok cooking for a touch of sophistication.

Our auto-ignition gas hob has cast iron pan supports. When coupled with powerful downdraft extraction it offers a clean, fully integrated design throughout – bespoke and beautiful.



Induction Modular Wok Hob



C930i



COMPATIBILITY

Our wok hob works with numerous brands of wok, however please check compatibility prior to purchase.

PRODUCT CODE

C930i

DIMENSIONS

↔ w:400mm

FINISH AVAILABLE

● Black Glass

FEATURES

- Polished aluminium trim
- Touch control
- 9 Level digital power display for each zone
- Automatic stop and temperature limiter
- Child safety lock
- Timer [up to 99mins] with audible alarm and auto switch-off
- Residual heat indicators
- Auto pan detection

COOKING OUTPUT

1 Induction Zone

- zone: 3kW
- For wok dimensions please see p.280

INSTALLATION

- Diagram [p.280]
- Rated load 3.6kW
- Fuse rating 20A

Tepan Hob



C995

PRODUCT CODE

C995

DIMENSIONS

↔ w:380mm

FINISH AVAILABLE

● Stainless Steel with Black Glass

FEATURES

- 9 Level power display
- Automatic stop and temperature limiter
- Residual heat indicator
- Maximum temperature 240°C

COOKING OUTPUT

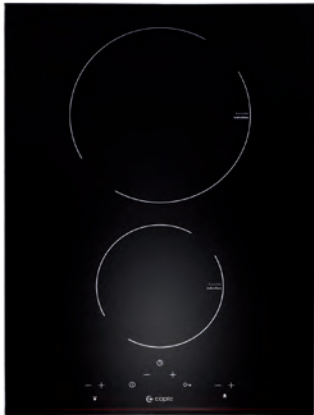
1 Cooking Zone

- 380 x 380mm – 2.5kW

INSTALLATION

- Diagram [p.280]
- Rated load 3.6kW
- Fuse rating 20A

Induction Modular Hob



C996i

PRODUCT CODE

C996i

DIMENSIONS

 w:380mm

FINISH AVAILABLE

 Black Glass

FEATURES

- Polished aluminium trim
- Touch control
- 9 Level digital power display for each zone
- Booster function on both zones to access maximum temperature quickly
- Timer [up to 99mins] with audible alarm and auto switch-off
- Automatic stop and temperature limiter
- Child safety lock
- Residual heat indicators
- Automatic pan detection

COOKING OUTPUT

- 2** Induction Zones
- 1 Dia. 200mm – 2kW [with 3kW Booster]
 - 1 Dia. 160mm – 1.6kW

INSTALLATION

- *Diagram [p.280]*
- *Rated load 3.6kW*
- *Fuse rating 20A*

Gas-On-Glass Modular Hob



C993G


PRODUCT CODE

C993G

DIMENSIONS

 w:380mm

FINISH AVAILABLE

 Black Glass

FEATURES

- Polished aluminium trim
- Flame safety device
- Cast iron pan support
- Auto electronic ignition
- LPG jets included

COOKING OUTPUT

- 2** Gas Burners
- 1 Rapid burner: 3kW
 - 1 Semi-rapid burner: 1.75kW

INSTALLATION

- *Diagram [p.280]*
- *Fuse rating 3A*

Induction Modular Hob



C994i

PRODUCT CODE

C994i

DIMENSIONS

↔ w:288mm

FINISH AVAILABLE

● Black Glass

FEATURES

- Frameless
- Audible touch control
- 9 Level digital power display for each zone
- Timer [up to 99mins] with audible alarm and auto switch-off
- Automatic stop and temperature limiter
- Child safety lock
- Residual heat indicators
- Automatic pan detection

COOKING OUTPUT

- 2 Induction Zones
- 1 Dia. 140mm – 1.5kW
- 1 Dia. 180mm – 2kW

INSTALLATION

- Diagram [p.280]
- Rated load 3.5kW
- Fuse rating 20A

Electric Ceramic Modular Hob



C892C

PRODUCT CODE

C892C

DIMENSIONS

↔ w:288mm

FINISH AVAILABLE

● Black Glass

FEATURES

- Frameless
- Audible touch control
- 9 Level digital power display for each zone
- Timer [up to 99mins] with audible alarm and auto switch-off
- Automatic stop and temperature limiter
- Child safety lock
- Residual heat indicators

COOKING OUTPUT

- 2 Ceramic Plates
- 1 Dia. 165mm – 1.2kW
- 1 Dia. 200mm – 1.8kW

INSTALLATION

- Diagram [p.280]
- Rated load 3kW
- Fuse rating 13A



EXTRACTION

A well-engineered extractor hood does more than just help to capture odours from your kitchen. Be bold, and use it as a visual focal point too.



CHOOSING THE PERFECT HOOD

We've designed one for every kind of kitchen. Striking colours, exceptional finishes, and plenty of functionality.



Extractors and hoods are designed to remove cooking odours, moisture and grease from the cooking environment. The extractor or hood continually removes and filters the air when on. It then, either, returns the filtered air back in to the room or expels it through an external vent. The greater the extraction rate the more effectively this is done.

GETTING THE BEST FROM YOUR HOOD

One useful technique is to switch on the extractor or hood 15 minutes before you begin cooking. This creates kinetic air circulation within the kitchen carrying the air out more effectively. It is also advisable to keep it running for a further 15 minutes after you have finished cooking. You can sit down and enjoy the results of your culinary skills whilst your Caple extractor or hood gets on with its job.



DOWNDRAFT EXTRACTORS

This type of counter extractor is installed behind or alongside your hob. When you need it, just press the button and it glides up in to position.



CEILING HOODS

They're unobtrusive and they save you space too. You can choose different motors and have complete control over extraction rates.



ISLAND HOODS

Better suited to larger kitchens. You can suspend them over a central island unit to make a stunning focal point.



WALL CHIMNEY HOODS

Available in all kinds of sizes, styles and finishes. Great for a dramatic centrepiece.



BUILT-UNDER HOODS

Ideal for smaller kitchens. They're cleverly integrated into the underside of kitchen units.



INTEGRATED HOODS

Discretely hidden behind kitchen furniture, and pulled out when needed.



CONVENTIONAL HOODS

This type fits snugly beneath a kitchen unit, with controls usually found on the front.

DOWNDRAFT EXTRACTORS

Caple downdraft extractors are the epitome of intelligent thinking in kitchen design. With an ingenious under-counter installation, wall space is kept clear and when integrated into an island unit, views across the kitchen remain uncluttered.

A downdraft extractor can be housed either behind or alongside a hob, in an island unit or within a base against a wall. Fitting elegantly into the surface until activated, it rises out of the worktop beyond the height of the pans to extract odours directly from the cooking area.

These smart extractors deliver high extraction rates and give you a choice of motors and motor positioning options to suit your kitchen design. For example, your motor could be situated under the floor, on an external wall or in a cupboard, so noise can be virtually eliminated [p.138]. With real versatility, our downdraft extractors can expel air via ducting or recirculate it using charcoal filters.



SLEEK STYLING

Most of our downdrafts feature touch control technology and are designed to complement the appliances within the Sense Premium and Sense ranges.



SMOOTH OPERATOR

At the touch of a button, the DD931BK rises smoothly up from its flush, retracted position. It can be stopped at any height up to 300mm and automatically switches on at 180mm.



THE ART OF THE INVISIBLE



Seamless integration, and unmistakable styling. Caple downdraft extractors combine stunning looks with maximum efficiency and flexibility.

With the flexibility to fit into virtually any hob arrangement, Caple downdraft extractors add style and functionality to your kitchen. Whether stainless steel, contemporary white glass or high-gloss black glass, you can tailor the look to complement your design or to lead it.

Stunning looks are rivalled only by the range of features on offer – a perfect blend of style and substance.

FLUSH FITTING

Designed to tuck neatly away into your work surface until needed, then acting as a sleek centrepiece when in use.



INCOMPARABLE INNOVATION

Offering powerful extraction and a beautifully integrated centrepiece, downdrafts are a great demonstration of Caple innovation and sophistication. For even more seamless extraction our DD921BK model offers a unique 'flip lid' operation for optimum efficiency and performance.

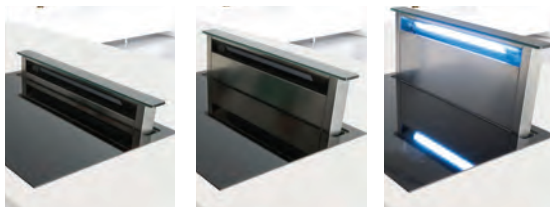
ILLUMINATED LIGHTING

Cool white neon lighting adds sophistication and style [1], while complementary blue illuminated soft-touch buttons put completely intuitive control at your fingertips. [2]

MOTOR CHOICES

Downdraft extractors will need to be purchased with a motor. For the full range please see p.138-143.

Induction Downdraft Extractor with Light



DD931BK

PRODUCT CODE
DD931BK

DIMENSIONS

↔ w:898mm

PERFORMANCE

e Energy Class A-C
For energy and performance see p.140-143

FINISH AVAILABLE

● Black Glass

FEATURES

Hob

- Frameless with bevelled edge
- Slider touch control
- 10 Power level digital display for each zone [0-9 plus Booster]
- Booster function on all zones [p.89]
- Bridge function to combine 2 zones
- Timer
- Memory recall function
- Keep warm function
- Pause function
- Child safety lock
- Residual heat indicators
- Automatic safety shut-off
- Anti-overheat

Downdraft

- Touch control
- 4 Speeds
- Auto timer
- 5W LED light strip
- Aluminium grease filters
- Required ducting size 150mm
- Motor not included

COOKING OUTPUT

- 4** Induction Zones
- 184x220mm – 3.7kW

MOTOR CHOICES

- Downdraft extractors will need to be purchased with a motor. For the full range please see p.138-143

OPTIONAL EXTRAS

- Recirculation kit [CAP43CF - only for use with motors DDMEXT10 & DDMEXT27]
- Visit caple.co.uk for full range

INSTALLATION

- *Diagram [p.280]*

Downdraft Extractor with Light



DD120BK

PRODUCT CODE
DD120BK

DIMENSIONS

↔ w:1175mm

PERFORMANCE

e Energy Class A-C
For energy and performance see p.140-143

FINISH AVAILABLE

● Black Glass with Stainless Steel

FEATURES

- Illuminated touch controls
- For use with gas or electric hobs
- Perimetrical extraction for reduced noise and increased pressure resulting in improved motor performance
- 4 Speeds [inc. Boost function]
- Auto timer – switch-off after 10mins
- Bright 21W white neon light
- Aluminium grease filters
- Required ducting size 150mm
- Recirculation kit available
- Motor not included

MOTOR CHOICES

- Downdraft extractors will need to be purchased with a motor. For the full range please see p.138-143

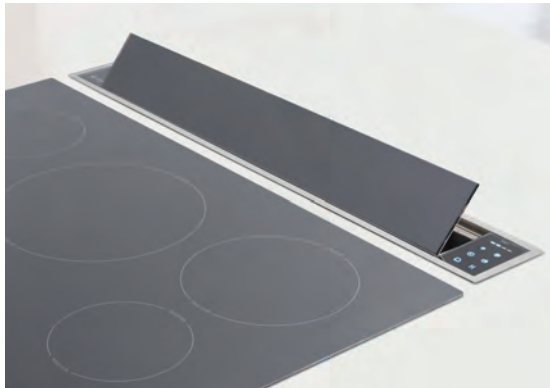
OPTIONAL EXTRAS

- Recirculation kit [CAP69CF - only for use with motors DDMEXT10 & DDMEXT27]
- Visit caple.co.uk for full range

INSTALLATION

- *Diagram [p.281]*
- *Venting Kits [p.266]*
- *The electrics box must be located at least 650mm from the hob*

Tilt Downdraft Extractor with Light



* Hob shown in image not included



DD921BK

PRODUCT CODE

SP DD921BK

DIMENSIONS

↔ w:870mm

PERFORMANCE

e Energy Class A-C
For energy and performance see p.140-143

FINISH AVAILABLE

● Black Glass with
Stainless Steel

FEATURES

- Extra 'flip lid' operation
- Illuminated touch controls
- 4 Speeds
- Auto timer
- 10W LED light strip
- Aluminium grease filters
- Required ducting size 150mm
- The extra flip operation allows the product to extract without rising up out of the work surface
- Motor not included

MOTOR CHOICES

- Downdraft extractors will need to be purchased with a motor. For the full range please see p.138-143

OPTIONAL EXTRAS

- Recirculation kit [CAP47CF - only for use with motors DDMEXT10 & DDMEXT27]

Visit caple.co.uk for full range

INSTALLATION

- Diagram [p.281]
- Venting Kits [p.266]

FEATURES

TILT DOWNDRAFT

The Tilt Downdraft has two convenient operational modes. When cooking with shallower pans such as frying, sauté pans and woks press the touch button to simply tilt the glass panels and extraction begins immediately. For larger, taller pans such as saucepans and stock pots touch the alternative button to raise the downdraft extractor to its full working height. Again, extraction begins immediately.



Flush Downdraft Extractors with Light



DD911SS

DD911WH

DD911BK

PRODUCT CODE

Stainless Steel DD911SS
White Glass DD911WH
Black Glass DD911BK

DIMENSIONS

↔ w:875mm

PERFORMANCE

e Energy Class A-C
For energy and performance see p.140-143

FINISH AVAILABLE

- Stainless Steel
- White Glass with Stainless Steel
- Black Glass with Stainless Steel

FEATURES

- Illuminated touch control
- For use with gas or electric hobs
- Perimetrical extraction for reduced noise and increased pressure resulting in improved motor performance
- 4 Speeds [inc. Boost function]
- Auto timer – switch-off after 10mins
- Bright 14W white neon light
- Aluminium grease filters
- Required ducting size 150mm
- Motor not included
- Recirculation kit available

MOTOR CHOICES

- Downdraft extractors will need to be purchased with a motor. For the full range please see p.138-143

OPTIONAL EXTRAS

- Recirculation kit [CAP43CF - only for use with motors DDMEXT10 & DDMEXT27]

Visit cagle.co.uk for full range

INSTALLATION

- Diagram [p.281]
- Venting Kits [p.266]
- The electric box must be located at least 650mm from the hob

Push Downdraft Extractor with Light



DD901BK



PRODUCT CODE
DD901BK

DIMENSIONS
w:810mm

PERFORMANCE
Energy Class B-C
For energy and performance see p.140-143

FINISH AVAILABLE
Black Glass with Stainless Steel

FEATURES

- Electronic push button controls
- Perimetrical extraction for reduced noise and increased pressure resulting in improved motor performance
- For use with gas or electric hobs
- 4 Speeds [inc. Boost function]
- Auto timer – switch-off after 10mins
- 2 x 3.9W white LED lights
- Stainless steel and aluminium grease filters
- Required ducting size 150mm
- Motor not included
- Recirculation kit available

MOTOR CHOICES

- Downdraft extractors will need to be purchased with a motor. For the full range please see p.138-143

OPTIONAL EXTRAS

- Recirculation kit [CAP67CF - only for use with motors DDMEXT10 & DDMEXT27]

Visit caple.co.uk for full range

INSTALLATION

- *Diagram [p.282]*
- *Venting Kits [p.266]*
- *The electric's box must be located at least 650mm from the hob*

EYE ON THE DETAIL



Downdraft Extractors



DD606SS

DD606BK

PRODUCT CODE

Stainless Steel DD606SS
Black Glass DD606BK

DIMENSIONS

↔ w:575mm

PERFORMANCE

e Energy Class B-C
For energy and performance see p.140-143

FINISH AVAILABLE

- Stainless Steel
- Black Glass with Stainless Steel

FEATURES

- Electronic controls on stainless steel finish, touch control on black glass finish
- For use with gas or electric hobs
- Perimetrical extraction for reduced noise and increased pressure resulting in improved motor performance
- 4 Speeds [inc. Boost function]

- Auto timer – switch-off after 10mins
- Aluminium grease filters
- Required ducting size 150mm
- Motor not included
- Recirculation kit available

MOTOR CHOICES

- Downdraft extractors will need to be purchased with a motor. For the full range please see p.138-143

OPTIONAL EXTRAS

- Recirculation kit [CAP27CF - only for use with motors DDMEXT10 & DDMEXT27]

Visit caple.co.uk for full range

INSTALLATION

- Diagram [p.281]
- Venting Kits [p.266]
- The electrics box must be located at least 650mm from the hob

Modular Downdraft Extractor



DD521BK

PRODUCT CODE

DD521BK

DIMENSIONS

↔ w:520mm

PERFORMANCE

e Energy Class B-C
For energy and performance see p.140-143

FINISH AVAILABLE

- Black Glass with Stainless Steel

FEATURES

- Illuminated touch controls
- For use with gas or electric hobs
- Perimetrical extraction for reduced noise and increased pressure resulting in improved motor performance
- Extracts from both sides, ideal for installation between modular hobs
- 4 Speeds
- Auto timer – switch-off after 10mins
- Aluminium grease filters

- Required ducting size 150mm
- Motor not included
- Recirculation kit available

MOTOR CHOICES

- Downdraft extractors will need to be purchased with a motor. For the full range please see p.138-143

OPTIONAL EXTRAS

- Recirculation kit [CAP27CF - only for use with motors DDMEXT10 & DDMEXT27]

Visit caple.co.uk for full range

INSTALLATION

- Diagram [p.282]
- Venting Kits [p.266]
- The electrics box must be located at least 650mm from the hob



CEILING HOODS

Style is nothing without functionality. Naturally, Caple's ceiling extractors come with both, as standard.

They're available in various sizes and engineered to achieve the very highest extraction rates. There's also a choice of motors, which can be positioned in a range of locations to reduce noise and free-up space.

Every Caple ceiling extractor uses our perimetric extraction system, which draws air in through narrow apertures around the full perimeter of the pan. It means higher air pressure, greater efficiency and less noise.

MOTOR CHOICES

Ceiling extractors will need to be purchased with a motor. For the full range please see p.138-143 [Models CE950 & CE1121 already have motors built in].

CREATING THE RIGHT ATMOSPHERE

You can also select just the right kind of lighting you want for your kitchen - from bright white to a soft, cosy, glow. [1]



CONTROL AT YOUR FINGERTIPS

Our user-friendly remote control places power and lighting functions within easy reach. It also allows you to set the handy timer function, which automatically switches off the extractor after 10 minutes. When you leave your kitchen you know that any odours will be gone by the time you return. [2]





REMOTE CONTROL
INCLUDED

CENTRE STAGE

We love the challenge of making functionality look stunning. Our hoods represent the epitome of contemporary design and technology.

Perfectly complementing any other Caple product, our ceiling hoods provide performance and styling like no other.

LED strip lighting, white glass finish and intelligent features ensure it has a place not only as a talking point in your kitchen, but an invaluable and practical addition.

Ceiling Hood with Built-In Motor



CE950

PRODUCT CODE

CE950

DIMENSIONS

↔ w:900mm

PERFORMANCE

e Energy Class C
 Max. extraction
 552m³/h
 Max. noise level
 61dB[A]
 Estimated energy
 consumption
 69kWh/yr
 Fluid dynamic
 efficiency C
 Light efficiency E
 Grease absorption F

FINISH AVAILABLE

○ Gloss White with
 Stainless Steel

FEATURES

- Motor included
- Remote control included
- Can be fitted with motor exposed or recessed*
- 4 Speeds
- Auto timer – switch-off after 10mins
- 20W LED light
- Stainless steel grease filter
- Required ducting size 150mm
- Recirculation kit available

OPTIONAL EXTRAS

- Recirculation kit [CAP53CF]
- Visit cagle.co.uk for full range

INSTALLATION

- *Diagram [p.282]*
- *Venting Kits [p.266]*



*Image showing recessed fitting option

Ceiling Hood with Built-In Motor



CE1121

PRODUCT CODE

CE1121

DIMENSIONS

↔ w:1100mm

PERFORMANCE

e Energy Class B
 Max. extraction
 747m³/h
 Max. noise level
 54dB[A]
 Fluid dynamic
 efficiency A
 Light efficiency E
 Grease absorption F

FINISH AVAILABLE

○ White Glass with
 Stainless Steel

FEATURES

- Motor included
- Remote control included
- Perimetrical extraction for reduced noise and increased pressure resulting in improved motor performance
- Can be fitted with motor exposed or recessed*
- 4 Speeds
- 2 x 18.5W LED strip lights
- Auto timer – switch-off after 10mins
- Aluminium grease filters
- Required ducting size 150mm

OPTIONAL EXTRAS

- Recirculation kit [CAP64CF]
- Visit cagle.co.uk for full range

INSTALLATION

- *Diagram [p.282]*
- *Venting Kits [p.266]*



*Image showing recessed fitting option



Ceiling Hoods



CE901



CE901WH

PRODUCT CODE

Stainless Steel CE901
White CE901WH

DIMENSIONS

← w:900mm

PERFORMANCE

ⓔ Energy Class A++-B
For energy and performance see p.140-143

FINISH AVAILABLE

● Stainless Steel
○ White Glass

FEATURES

- Remote control included
- Perimetrical extraction for reduced noise and increased pressure resulting in improved motor performance

- 4 Speeds [inc. Boost function]
- 2 x 6.5W LED light strips
- Aluminium grease filters
- Required ducting size 150mm
- Ducted only installation
- Motor not included

MOTOR CHOICES

- Ceiling extractors will need to be purchased with a motor. For the full range please see p.138-143

INSTALLATION

- *Diagram [p.282]*
- *Venting Kits [p.266]*

Ceiling Hoods



CE1101

PRODUCT CODE

CE1101

DIMENSIONS

↔ w:1100mm

PERFORMANCE

ⓔ Energy Class A+-C
For energy and performance see p.140-143

FINISH AVAILABLE

● Stainless Steel

FEATURES

- Remote control included
- Perimetrical extraction for reduced noise and increased pressure resulting in improved motor performance
- 4 Speeds [inc. Boost function]
- 4 x 16W dichroic lights with dimmer
- Auto timer – switch-off after 10mins
- Aluminium grease filters
- Required ducting size 150mm
- Ducted only installation
- Motor not included

MOTOR CHOICES

- Ceiling extractors will need to be purchased with a motor. For the full range please see p.138-143

INSTALLATION

- *Diagram [p.282]*
- *Venting Kits [p.266]*



EXTRACTION MOTOR CHOICES



DDMEXT10

PRODUCT CODE
DDMEXT10

PERFORMANCE

e For performance see p.140-143

FEATURES

- Motor for use with Caple downdraft extractors only [cannot be used with Caple ceiling hoods]
- For installation in cabinet fixing directly to the downdraft body
- Aluminium die-cast construction
- Required ducting size 150mm

INSTALLATION

- Diagram [p.283]
- Venting Kits [p.266]



DDMEXT20

PRODUCT CODE
DDMEXT20

PERFORMANCE

e For performance see p.140-143

FEATURES

- Motor for use with Caple downdraft or ceiling extractors
- For installation in ceiling cavity or floor space
- 7m long connection cable [allowing motor installation up to 7m from the extractor]
- Aluminium die-cast construction
- Required ducting size 150mm
- Rigid ducting must be used

INSTALLATION

- Diagram [p.283]
- Venting Kits [p.266]



DDMEXT25

PRODUCT CODE
DDMEXT25

PERFORMANCE

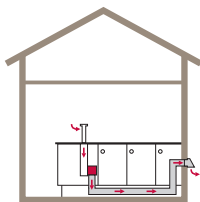
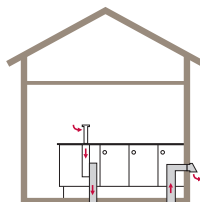
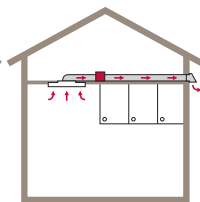
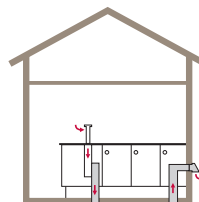
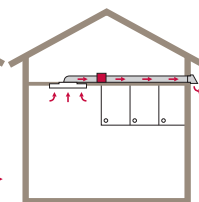
e For performance see p.140-143

FEATURES

- Motor for use with Caple downdraft or ceiling extractors
- For installation in ceiling cavity or floor space
- 7m long connection cable [allowing motor installation up to 7m from the extractor]
- Aluminium die-cast construction
- Required ducting size 150/200mm
- Rigid ducting must be used

INSTALLATION

- Diagram [p.283]
- Venting Kits [p.266]

DDMEXT10
with downdraftDDMEXT20
with downdraftDDMEXT20
for ceilingDDMEXT25
with downdraftDDMEXT25
for ceiling

Due to the power and fitment of our external motors, rigid ducting must be used.



DDMEXT27

PRODUCT CODE
DDMEXT27

PERFORMANCE

e For performance see p.140-143

FEATURES

- Motor for use with Caple downdraft extractors only [cannot be used with Caple ceiling hoods]
- For installation behind the plinth
- 7m long connection cable [allowing motor installation up to 7m from the extractor]
- Aluminium die-cast construction
- Required ducting size 150mm
- Rigid ducting must be used
- **To be used in recirculation mode only**

INSTALLATION

- Diagram [p.283]



DDMEXT30

PRODUCT CODE
DDMEXT30

PERFORMANCE

e For performance see p.140-143

FEATURES

- Motor for use with Caple downdraft or ceiling extractors
- For installation on outside wall
- 7m long connection cable [allowing motor installation up to 7m from the extractor]
- Stainless steel die-cast construction
- Required ducting size 150mm
- Rigid ducting must be used

INSTALLATION

- Diagram [p.283]
- Venting Kits [p.266]



DDMEXT40

PRODUCT CODE
DDMEXT40

PERFORMANCE

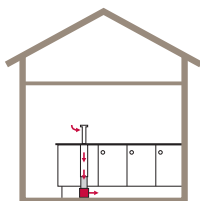
e For performance see p.140-143

FEATURES

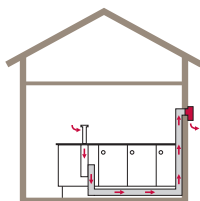
- Motor for use with Caple downdraft or ceiling extractors
- For installation on outside wall
- 7m long connection cable [allowing motor installation up to 7m from the extractor]
- Stainless steel die-cast construction
- Required ducting size 150/200mm
- Rigid ducting must be used

INSTALLATION

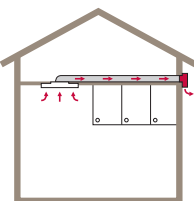
- Diagram [p.283]
- Venting Kits [p.266]



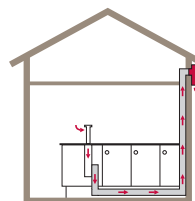
DDMEXT27 with downdraft



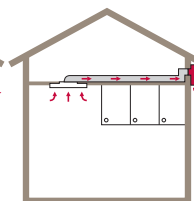
DDMEXT30 with downdraft



DDMEXT30 for ceiling



DDMEXT40 with downdraft



DDMEXT40 for ceiling

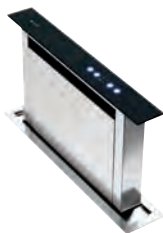
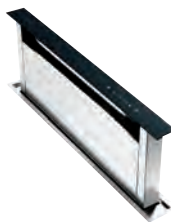
Due to the power and fitment of our external motors, rigid ducting must be used.

MOTOR PERFORMANCE

You can choose from an extensive range of Caple motors to go with your extractor.

To help you decide which motor suits your needs this table shows the motor combinations and the specific associated performance levels.

If you require further information please contact us directly.



PRODUCT CODE	MOTOR CHOICE	DUCTING OUTLET SIZE [mm]
DOWNDRAFTS		
DD120BK	DDMEXT10	150
	DDMEXT20	150
	DDMEXT25	150
	DDMEXT25	200
	DDMEXT27	150
	DDMEXT30	150
	DDMEXT40	150
	DDMEXT40	200
DD911SS DD911BK DD911WH	DDMEXT10	150
	DDMEXT20	150
	DDMEXT25	150
	DDMEXT25	200
	DDMEXT27	150
	DDMEXT30	150
	DDMEXT40	150
	DDMEXT40	200
DD901BK	DDMEXT10	150
	DDMEXT20	150
	DDMEXT27	150
	DDMEXT30	150
DD606SS DD606BK	DDMEXT10	150
	DDMEXT20	150
	DDMEXT25	150
	DDMEXT25	200
	DDMEXT27	150
	DDMEXT30	150
	DDMEXT40	150
DDMEXT40	200	
DD521BK	DDMEXT10	150
	DDMEXT20	150
	DDMEXT25	150
	DDMEXT25	200
	DDMEXT27	150
	DDMEXT30	150
	DDMEXT40	150
DDMEXT40	200	

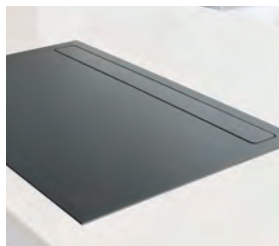
ENERGY CLASS	EXTRACTION RATE [m³/h]	FLUID DYNAMIC EFFICIENCY	LIGHT EFFICIENCY	GREASE ABSORPTION	NOISE LEVEL dB[A]	ANNUAL CONSUMPTION [kWh/yr]
B	791	A	F	E	58	66
B	736	A	F	E	45	66
C	807	B	F	F	41	107
B	938	B	F	F	44	100
C	559	C	F	E	59	67
C	738	B	F	E	48	99
A	1310	A	F	F	55	121
A	1405	A	F	F	57	125
B	757	A	E	E	61	60
B	682	B	E	E	51	66
C	753	B	E	F	60	109
B	938	B	E	F	62	102
C	520	C	E	E	61	59
C	731	C	E	E	58	90
A	1240	A	E	F	58	116
A	1328	A	E	F	60	119
B	668	B	E	E	61	57
B	625	B	E	E	51	53
B	484	C	E	E	61	52
B	639	C	E	E	58	77
B	636	B	-	E	69	54
B	595	B	-	E	66	56
C	622	C	-	E	70	101
B	825	B	-	E	63	91
C	435	D	-	E	67	57
C	577	C	-	E	68	83
B	1110	A	-	E	64	130
B	1210	A	-	E	66	139
B	636	B	-	E	69	54
B	595	B	-	E	66	56
C	622	C	-	E	70	101
B	825	B	-	E	63	91
C	435	D	-	E	67	57
C	577	C	-	E	68	83
B	1110	A	-	E	64	130
B	1210	A	-	E	66	139

COOKING

140

141

MOTOR PERFORMANCE



PRODUCT CODE	MOTOR CHOICE	DUCTING OUTLET SIZE [mm]
DD921BK	DDMEXT10	150
	DDMEXT20	150
	DDMEXT25	150
	DDMEXT25	200
	DDMEXT27	150
	DDMEXT30	150
	DDMEXT40	150
	DDMEXT40	200
DD931BK	DDMEXT10	150
	DDMEXT20	150
	DDMEXT25	150
	DDMEXT25	200
	DDMEXT27	150
	DDMEXT30	150
	DDMEXT40	150
	DDMEXT40	200
CEILING HOODS		
CE1101	DDMEXT20	150
	DDMEXT25	150
	DDMEXT25	200
	DDMEXT30	150
	DDMEXT40	150
	DDMEXT40	200
CE901 & CE901WH	DDMEXT20	150
	DDMEXT25	150
	DDMEXT25	200
	DDMEXT30	150
	DDMEXT40	150
	DDMEXT40	200

ENERGY CLASS	EXTRACTION RATE [m³/h]	FLUID DYNAMIC EFFICIENCY	LIGHT EFFICIENCY	GREASE ABSORPTION	NOISE LEVEL dB[A]	ANNUAL CONSUMPTION [kWh/yr]
A	705	A	A	E	61	55
B	682	B	A	E	51	64
C	753	B	A	F	60	107
B	938	B	A	F	62	100
C	520	C	A	E	61	56
C	731	C	A	E	58	87
A	1240	A	A	F	58	113
A	1328	A	A	F	60	117
A	757	A	A	E	61	53
B	682	B	A	E	51	60
C	753	B	A	F	60	103
B	938	B	A	F	62	96
C	520	C	A	E	61	52
C	731	C	A	E	58	83
A+	1240	A	A	F	58	109
A+	1328	A	A	F	60	113
C	725	B	F	F	46	107
C	869	B	F	F	44	138
B	938	A	F	F	48	109
C	773	B	F	F	55	130
A	1464	A	F	F	69	139
A+	1543	A	F	F	71	126
B	725	A	B	F	44	68
B	900	B	B	F	42	97
B	965	A	B	F	46	99
B	790	B	B	F	47	88
A	1490	A	B	F	67	102
A++	1575	A	B	F	69	89

COOKING

142

143

MOTOR PERFORMANCE

ISLAND HOODS

High quality, highly efficient and intuitive our range of island hoods offer every kind of style to suit your kitchen.





POWER AND LIGHTING AT YOUR FINGERTIPS

Power and lighting adjustments at your fingertips with our user-friendly remote control. The handy timer function automatically switches off the extractor after 10 minutes, so you can leave your kitchen knowing any odours will have disappeared when you return - just some of the features from our fabulous island hood range.





CERAMICA

The new CR700 Ceramica island hood not only looks incredibly stylish but it's the only cooker hood in the UK to have a ceramic body, which has been made by hand, with exquisite attention to detail.



Ceramica Island Hood



CR700

PRODUCT CODE
CR700

DIMENSIONS
w:690mm

PERFORMANCE
Max. extraction
550m³/h
Max. noise level 55dB[A]

FINISH AVAILABLE
Copper

FEATURES

- Hand made ceramic body with stainless steel filter
- Remote control
- 4 Speeds
- 20W LED light
- Auto timer – switch-off after 10mins
- Stainless steel washable grease filter
- Recirculation only installation [supplied with recirculation kit]

OPTIONAL EXTRAS

- Replacement recirculation kit [CAP53CF]
- Visit caple.co.uk for full range

INSTALLATION

- *Diagram [p.283]*
- *Venting Kits [p.266]*



REMOTE CONTROL INCLUDED

A stainless steel Viento range hood is the central focus, hanging from a ceiling. It has a sleek, cylindrical design with a brushed metal finish. The hood is suspended by a chrome arm with spherical joints. In the background, a brick wall and a window with a grid pattern are visible. Another similar hood is partially visible to the right, and a small, glowing pendant light hangs in the lower right corner.

VIENTO

Could any other hood look so good?
The Viento offers iconic styling and exceptional performance. Whether high gloss black, white or sleek stainless steel finish, this hood offers stand-out looks whilst integrating perfectly into your kitchen.

Viento Island Hoods



VIE551SS



VIE551WH



VIE551BK



REMOTE CONTROL
INCLUDED

PRODUCT CODE

Stainless Steel VIE551SS
White VIE551WH
Black VIE551BK

DIMENSIONS

← w:550mm

PERFORMANCE

Max. extraction 550m³/h
Max. noise level 50dB[A]

FINISH AVAILABLE

- Stainless Steel
- White
- Black

FEATURES

- Remote control included
- 4 Speeds
- 4 x 1W LED light
- Auto timer – switch-off after 10mins
- Aluminium washable grease filter
- Recirculation only installation [supplied with recirculation kit]

OPTIONAL EXTRAS

- Replacement recirculation kit [CAP54CF]
- Visit caple.co.uk for full range

INSTALLATION

- *Diagram [p.283]*
- *Venting Kits [p.266]*

ZODIAC

Under the glass front panel
hides the most advanced
technology, and truly
exceptional performance.



Zodiac Island Hoods



Zi920WH



Zi920

PRODUCT CODE

White Glass Zi920WH
Black Glass Zi920

DIMENSIONS

↔ w:900mm

PERFORMANCE

Max. extraction 900m³/h
Max. noise level 58dB[A]

FINISH AVAILABLE

○ White Glass with
Stainless Steel

● Black Glass with
Stainless Steel

FEATURES

- Illuminated LED touch control
- 4 Speeds
- 2 x 6W LED strip lights
- Aluminium grease filter
- Required ducting size 150mm
- Recirculation kit available

OPTIONAL EXTRAS

- Recirculation kit [CAP63CF]

Visit cagle.co.uk for full range

INSTALLATION

- Diagram [p.284]
- Venting Kits [p.266]

FEATURES



REMOTE CONTROL INCLUDED



BACK-LIT TOUCH CONTROL

These stylish models perfectly complement our Sense and Sense Premium appliance ranges with their brushed stainless steel and black or white glass panel. Every model has back-lit touch controls for total precision with an uncluttered look.

Plaza Island Hood



Pi401

PRODUCT CODE

Pi401

DIMENSIONS

↔ w:400mm

PERFORMANCE

- ⓔ Energy Class B
- Fluid dynamic efficiency A
- Light efficiency D
- Grease absorption D
- Annual Consumption 79kWh/yr
- Max. extraction 730m³/h
- Max. noise level 64dB[A]

FINISH AVAILABLE

- Stainless Steel

FEATURES

- Remote control included
- 4 Speeds [inc. Boost setting]
- 1 x 40W light
- Auto timer – switch-off after 10mins
- Aluminium grease filter
- Required ducting size 150mm
- Recirculation kit available

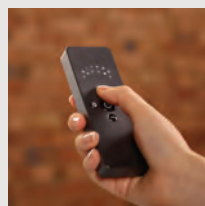
OPTIONAL EXTRAS

- Recirculation kit [CAP39CF]

Visit cagle.co.uk for full range

INSTALLATION

- *Diagram [p.284]*
- *Venting Kits [p.266]*



REMOTE CONTROL INCLUDED

Orbit Island Hood



Oi361

PRODUCT CODE

Oi361

DIMENSIONS

↔ w:362mm

PERFORMANCE

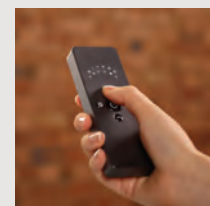
- ⓔ Energy Class B
- Fluid dynamic efficiency A
- Light efficiency D
- Grease absorption D
- Annual Consumption 79kWh/yr
- Max. extraction 730m³/h
- Max. noise level 64dB[A]

FINISH AVAILABLE

- Stainless Steel

FEATURES

- Remote control included
- 4 Speeds [inc. Boost setting]
- 1 x 40W light
- Auto timer – switch-off after 10mins
- Aluminium grease filter
- Required ducting size 150mm
- Recirculation kit available



REMOTE CONTROL INCLUDED

Island Hood



BXi910

PRODUCT CODE

BXi910

DIMENSIONS

↔ w:900mm

PERFORMANCE

- Energy Class D
- Fluid dynamic efficiency D
- Light efficiency D
- Grease absorption D
- Annual Consumption 95kWh/yr
- Max. extraction 605m³/h
- Max. noise level 69dB[A]

FINISH AVAILABLE

- Stainless Steel

FEATURES

- Electronic controls
- 3 Speeds
- 4 x 1.5W high intensity LED lights
- Aluminium grease filters
- Required ducting size 150mm
- Recirculation kit available

Island Hood



CGi920

PRODUCT CODE

CGi920

DIMENSIONS

↔ w:900mm

PERFORMANCE

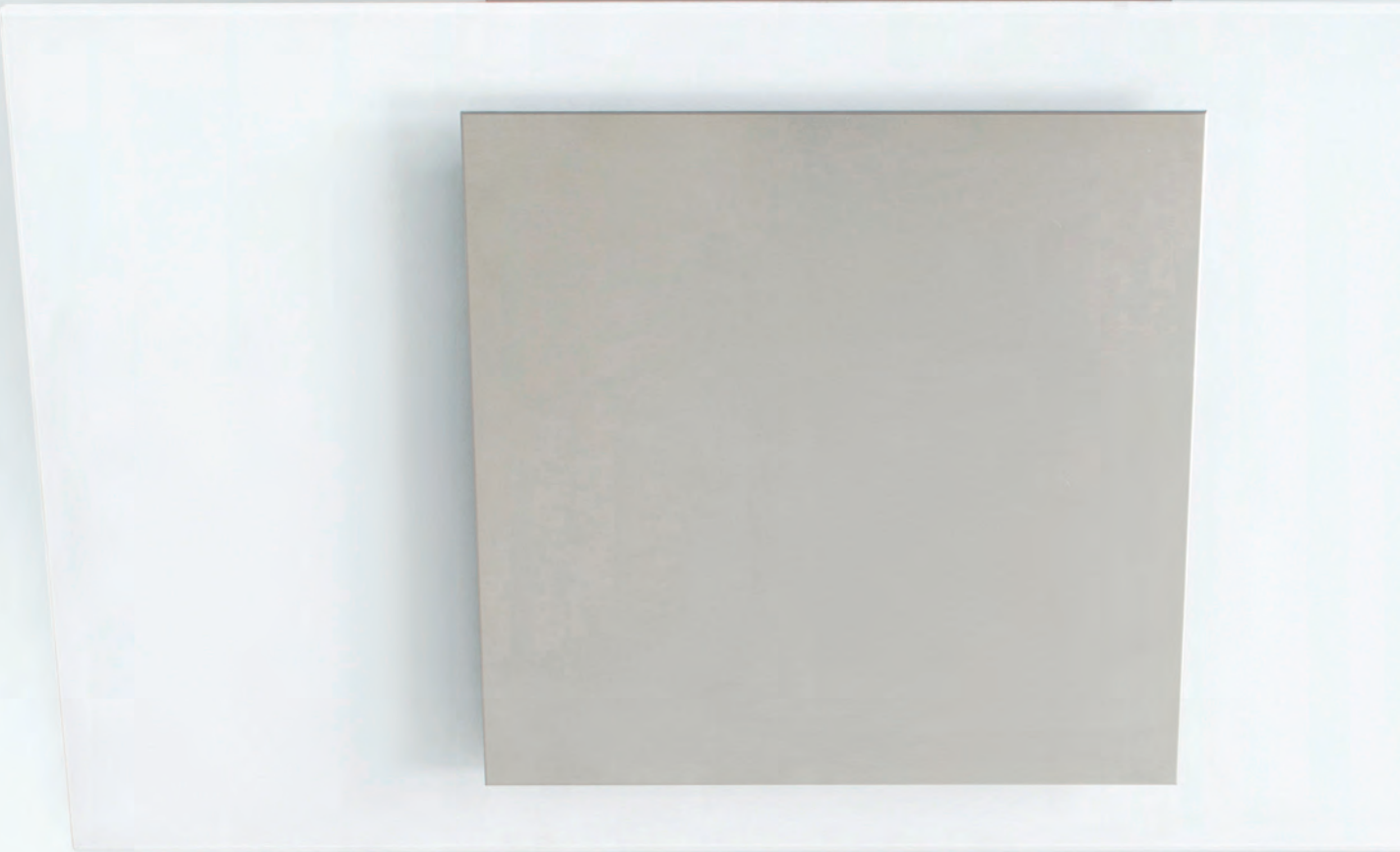
- Energy Class D
- Fluid dynamic efficiency D
- Light efficiency C
- Grease absorption D
- Annual Consumption 96kWh/yr
- Max. extraction 608m³/h
- Max. noise level 69dB[A]

FINISH AVAILABLE

- Stainless Steel with curved Clear Glass

FEATURES

- Electronic controls
- 3 Speeds
- 4 x 1.5W high intensity LED lights
- Aluminium grease filters
- Required ducting size 150mm
- Recirculation kit available





WALL CHIMNEY HOODS

Our practical and stylish chimney hoods are sure to make a statement. Multi-functional and great to look at extraction will be a joy when you cook.



MOTUS

With such uncompromising design the Motus provides a stunning feature in any kitchen. Using the finest materials to maximum effect we have created an unrivalled extractor with exceptional looks.

ELEGANT EFFICIENCY

Your Motus hood glides into action with rotary control operation and an electric blue display.



STAGE 1

The whisper quiet perimetric extraction system removes even the subtlest odours.



STAGE 2

The black glass front rises further to reveal the aluminium filters as the extraction level increases.



STAGE 3

It glides effortlessly into position to remove even those hard to shift cooking odours.



STAGE 4

Maximum extraction when you need it most. Still operating below an impressive 62dB[A].

Motus Wall Chimney Hood



MOT901

PRODUCT CODE
MOT901

DIMENSIONS

↔ w:900mm

PERFORMANCE

- ⓔ Energy Class A
- Fluid Dynamic Efficiency A
- Light Efficiency B
- Grease Absorption D
- Annual Consumption 59kWh/yr
- Max. extraction 766m³/h
- Max. noise level 62dB[A]

FINISH AVAILABLE

- Black Glass with polished Stainless Steel

FEATURES

- Supplied with optional stainless steel flue
- Rotary control with electronic display
- Mechanical automatic opening [dependent on speed setting]
- Perimetrical extraction for reduced noise and increased pressure resulting in improved motor performance
- 4 Speeds [inc. Boost setting]

- 10W LED strip light
- Auto timer – switch-off after 10mins
- Aluminium washable grease filters
- Required ducting size 150mm
- Recirculation kit available

OPTIONAL EXTRAS

- Recirculation kit [CAP52CF]
- Visit caple.co.uk for full range

INSTALLATION

- *Diagram [p.285]*
- *Venting Kits [p.266]*



MOTUS TOUCH

Minimal, sleek styling and advanced engineering combine effortlessly to make an exceptional extractor. It slides smoothly into action, operated via subtle, elegant electronic touch controls.

Motus Touch Wall Chimney Hood



MOT911

PRODUCT CODE
MOT911

DIMENSIONS

← w:900mm

PERFORMANCE

- Energy Class A
- Fluid Dynamic Efficiency A
- Light Efficiency B
- Grease Absorption D
- Annual Consumption 59kWh/yr
- Max. extraction 766m³/h
- Max. noise level 62dB[A]

FINISH AVAILABLE

- Black Glass with Stainless Steel

FEATURES

- Supplied with optional stainless steel flue
- Full touch controls with electronic display
- Mechanical automatic opening [dependent on speed setting]
- Perimetrical extraction for reduced noise and increased pressure resulting in improved motor performance
- 4 Speeds [inc. Boost setting]
- 10W LED strip light
- Auto timer – switch-off after 10mins

- Aluminium washable grease filters
- Required ducting size 150mm
- Recirculation kit available

OPTIONAL EXTRAS

- Recirculation kit [CAP52CF]
- Visit caple.co.uk for full range

INSTALLATION

- *Diagram [p.285]*
- *Venting Kits [p.266]*

FEATURES



EFFORTLESSLY STYLISH AND QUIETLY EFFICIENT

Thanks to highly effective perimetrical extraction the Motus Touch quietly removes odours. The stylish black glass front rises to reveal aluminium filters as the extraction level increases. Even operating at its maximum, extracting an impressive 766m³/h, the Motus keeps the noise down to just 62dB[A].



Zaros Wall Chimney Hood



ZA800

PRODUCT CODE

ZA800

OPTIONAL EXTRAS

- Recirculation kit
[CAP70CF]

Visit caple.co.uk for
full range

DIMENSIONS

↔ w:670mm

PERFORMANCE

Ⓜ Energy Class A
Fluid Dynamic
Efficiency A
Light Efficiency B
Grease Absorption B
Annual Consumption
58kWh/yr
Max. extraction
753m³/h
Max. noise level
59dB[A]

INSTALLATION

- *Diagram [p.285]*
- *Venting Kits [p.266]*

FINISH AVAILABLE

● Black Glass with
Stainless Steel

FEATURES

- Touch control
- 4 Speeds [inc.
Boost function]
- 6.5W LED strip light
- Auto timer
- Stainless steel
grease filter
- Required ducting
size 150mm
- Recirculation kit available

Wall Chimney Hood



ZZ901WH



ZZ901BK

PRODUCT CODE

White Glass ZZ901WH
Black Glass ZZ901BK

DIMENSIONS

↔ w:900mm

PERFORMANCE

Max. extraction
800m³/h
Max. noise level
57dB[A]

FINISH AVAILABLE

- White Glass with Stainless Steel
- Black Glass with Stainless Steel

FEATURES

- Touch control
- Remote control included
- 4 Speeds
- 2 x 20W halogen lights with 3 levels of brightness

- Perimetrical extraction for reduced noise and increased pressure resulting in improved motor performance

- Auto timer 10, 15 and 20mins
- Aluminium washable grease filter
- Required ducting size 150mm
- Recirculation kit available

OPTIONAL EXTRAS

- Recirculation kit [CAP56CF]
- Visit caple.co.uk for full range

INSTALLATION

- *Diagram [p.286]*
- *Venting Kits [p.266]*

Lucis Wall Chimney Hood



LUC600

PRODUCT CODE

LUC600

DIMENSIONS

↔ w:600mm

PERFORMANCE

Max. extraction
500m³/h
Max. noise level
55dB[A]

FINISH AVAILABLE

- Black Glass with Stainless Steel

FEATURES

- Supplied with optional stainless steel flue [not shown]
- Rotary control with electronic display

- Perimetrical extraction for reduced noise and increased pressure resulting in improved motor performance

- 4 Speeds
- 3 x 1W LED lights
- Auto timer – switch-off after 10mins
- Aluminium washable grease filter
- Required ducting size 150mm
- Recirculation kit available

OPTIONAL EXTRAS

- Recirculation kit [CAP53CF]
- Visit caple.co.uk for full range

INSTALLATION

- *Diagram [p.286]*
- *Venting Kits [p.266]*

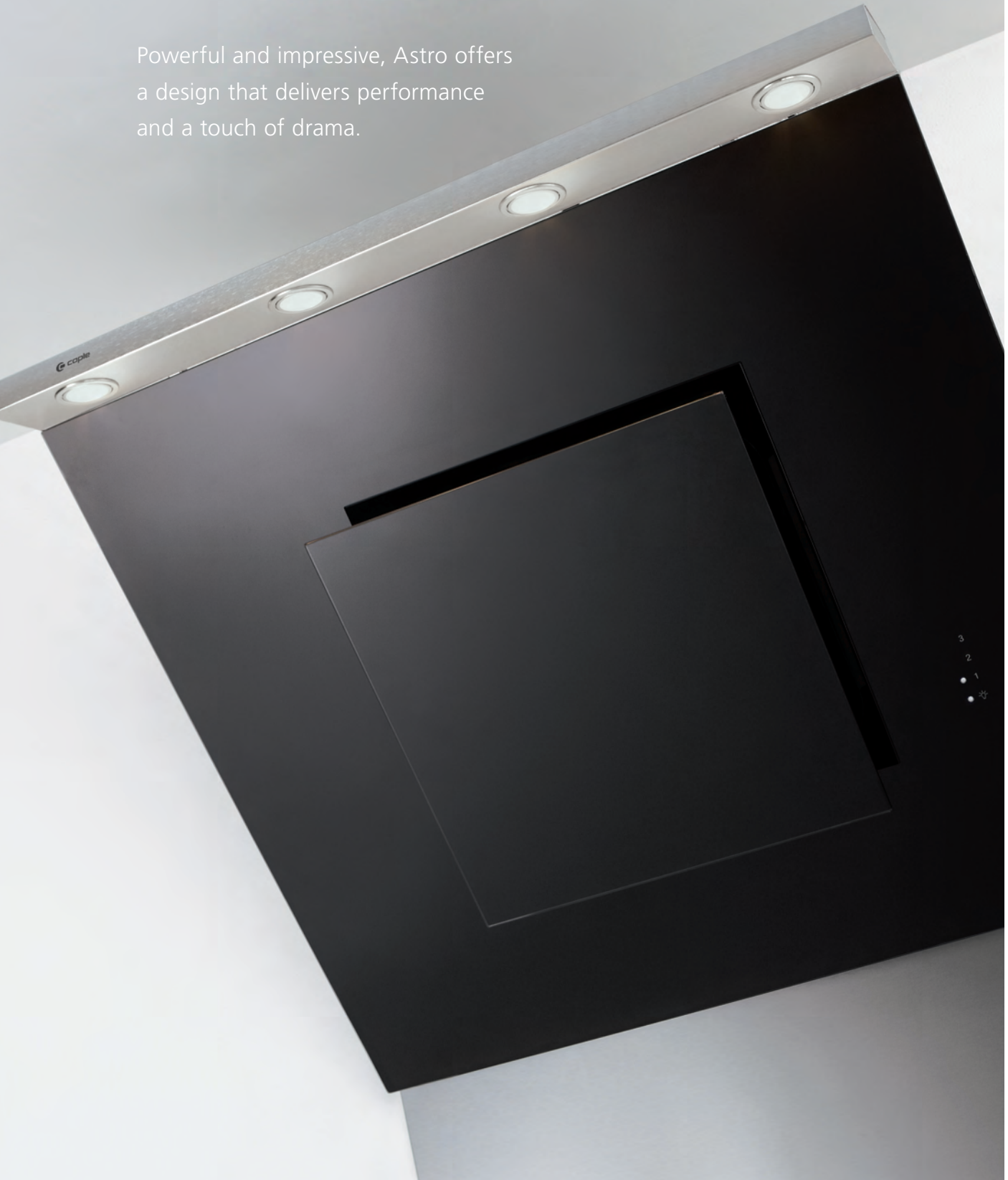
LED LIGHTING

For additional style and mood lighting 3 LED lights sit underneath the hood with a clever auto switch off timer.



ASTRO

Powerful and impressive, Astro offers a design that delivers performance and a touch of drama.



Astro Wall Chimney Hoods



AS911BK



AS611BK

PRODUCT CODE

AS911BK
AS611BK

DIMENSIONS

↔ w:900mm AS911BK
w:600mm AS611BK

PERFORMANCE

e Energy Class C
Fluid Dynamic Efficiency A
Light Efficiency D
Grease Absorption D
Annual Consumption 72kWh/yr
Max. extraction 483m³/h
Max. noise level 62dB[A]

FINISH AVAILABLE

● Black Glass with Stainless Steel

FEATURES

- Touch control
- 3 Speeds
- 4 x 1.5W LED lights
- Aluminium grease filter
- Required ducting size 150mm
- Stainless steel flue included
- Can be installed with or without flue
- Recirculation kit available

OPTIONAL EXTRAS

- Recirculation kit
[CAP55CF - 2 required]

Visit caple.co.uk for full range

INSTALLATION

- *Diagram [p.286]*
- *Venting Kits [p.266]*

FEATURES

FUNCTION AND POWER

This model features a sheer black glass front with a stylish stainless steel light bar to create the perfect mood lighting. Practical touch-controls and a choice of two sizes, ideal if you're looking for style and functionality.

SPIRIT

Choose from smooth black glass or go for stainless steel with smoked glass. What's more, this hood can also work in recirculation mode.



Spirit Wall Chimney Hoods



SP911SS



SP611SS



SP911BK



SP611BK

PRODUCT CODE

Stainless Steel	SP911SS
Black Glass	SP911BK
Stainless Steel	SP611SS
Black Glass	SP611BK

DIMENSIONS

↔	w:900mm	SP911SS
	w:900mm	SP911BK
	w:600mm	SP611SS
	w:600mm	SP611BK

PERFORMANCE

ⓔ	Energy Class C
	Fluid Dynamic Efficiency D
	Light Efficiency D
	Grease Absorption D
	Annual Consumption 70kWh/yr
	Max. extraction 446m ³ /h
	Max. noise level 62dB[A]

FINISH AVAILABLE

- Stainless Steel with smoked glass panels
- Black Gloss with black glass panels

FEATURES

- Slider touch control
- Remote control included
- 3 Speeds
- 3.0 watt white LED light bar with 4 levels of brightness
- Auto timer
- Can be installed with or without flue
- Aluminium grease filter
- Required ducting size 150mm
- Recirculation kit available

OPTIONAL EXTRAS

- Recirculation kit [CAP24CF]
- Visit cuple.co.uk for full range

INSTALLATION

- Diagram [p.286]
- Venting Kits [p.266]

Luna Wall Chimney Hood



LC610BK

PRODUCT CODE

LC610BK

DIMENSIONS

w:600mm

PERFORMANCE

Max. extraction 750m³/h
Max. noise level 55dB[A]

FINISH AVAILABLE

 Black Glass with
Stainless Steel

FEATURES

- Touch control
- 3 Speeds
- 2 x 1.5W LED lights
- Aluminium grease filter
- Required ducting size 150mm
- Recirculation kit available

OPTIONAL EXTRAS

- Recirculation kit [CAP55CF - 2 required]

Visit caple.co.uk for full range

INSTALLATION

- *Diagram [p.286]*
- *Venting Kits [p.266]*

Wall Chimney Hood



ZZ801

PRODUCT CODE

ZZ801

DIMENSIONS

w:800mm

PERFORMANCE

- Energy Class B
- Fluid Dynamic Efficiency B
- Light Efficiency A
- Grease Absorption D
- Annual Consumption 58kWh/yr
- Max. extraction 604m³/h
- Max. noise level 62dB[A]

FINISH AVAILABLE

 Stainless Steel
with Black Glass

FEATURES

- Touch control
- 4 Speeds
- 2 x 6.5W LED light strips
- Auto timer
- Aluminium grease filter
- Required ducting size 150mm

OPTIONAL EXTRAS

- Recirculation kit [CAP47CF]

Visit caple.co.uk for full range

INSTALLATION

- *Diagram [p.285]*
- *Venting Kits [p.266]*



Zodiac Wall Chimney Hoods



ZC921



ZC621

PRODUCT CODE

ZC921
ZC621

DIMENSIONS

← w:900mm ZC921
w:600mm ZC621

PERFORMANCE

ⓔ Energy Class C
Fluid Dynamic Efficiency A
Light Efficiency D
Grease Absorption D
Annual Consumption 68kWh/yr
Max. extraction 568m³/h
Max. noise level 65dB[A]

FINISH AVAILABLE

● Black Glass with Stainless Steel

FEATURES

- Illuminated LED touch control
- 3 Speeds
- 2 x 1.5W LED lights
- Auto timer – switch-off after 5mins
- Aluminium grease filters
- Required ducting size 150mm
- Recirculation kit available

OPTIONAL EXTRAS

- Recirculation kit [CAP24CF]
- Visit caple.co.uk for full range

INSTALLATION

- Diagram [p.287]
- Venting Kits [p.266]

Zodiac Rotary Control Wall Chimney Hood



ZRC900

PRODUCT CODE
ZRC900

DIMENSIONS
↔ w:900mm

PERFORMANCE

- e** Energy Class C
- Fluid Dynamic Efficiency D
- Light Efficiency A
- Grease Absorption D
- Annual Consumption 68kWh/yr
- Max. extraction 568m³/h
- Max. noise level 65dB[A]

FINISH AVAILABLE

- Black Glass with Stainless Steel

FEATURES

- Illuminated electronic rotary control
- 3 Speeds
- 2 x 1.5W LED lights
- Auto timer – switch-off after 5mins
- Aluminium grease filter
- Required ducting size 150mm
- Recirculation kit available

OPTIONAL EXTRAS

- Recirculation kit [CAP24CF]

Visit cagle.co.uk for full range

INSTALLATION

- *Diagram [p.287]*
- *Venting Kits [p.266]*

Anoka Wall Chimney Hood



AN900

PRODUCT CODE
AN900

DIMENSIONS
↔ w:900mm

PERFORMANCE

- e** Energy Class C
- Fluid Dynamic Efficiency E
- Light Efficiency B
- Grease Absorption D
- Annual Consumption 65kWh/yr
- Max. extraction 414m³/h
- Max. noise level 64dB[A]

FINISH AVAILABLE

- Black Glass with Stainless Steel

FEATURES

- Illuminated electronic touch control
- Remote control included
- 3 Speeds
- 3W LED light bar
- Auto timer – switch-off after 5mins
- Aluminium grease filter
- Required ducting size 150mm
- Recirculation kit available

OPTIONAL EXTRAS

- Recirculation kit [CAP24CF]

Visit cagle.co.uk for full range

INSTALLATION

- *Diagram [p.287]*
- *Venting Kits [p.266]*



COOKING

168

169

WALL CHIMNEY HOODS



CLASSIC HOODS

From bold statement pieces to discreet integrated models. Whatever you're looking for, we can help.

You'll find a near-endless choice of styles and functionality in the Classic range. Whichever you opt for, you can guarantee it will perform to the highest standards and keep your kitchen free from odours and grease.

HIDDEN POWER

Most models in the Classic range have powerful halogen or tungsten lights, all positioned to create just the right lighting for your workspace.





COOKING

170

171

WALL CHIMNEY HOODS

Wall Chimney Hoods



FGC920



FGC720



FGC620

PRODUCT CODE

Stainless Steel FGC920
Stainless Steel FGC720
Stainless Steel FGC620

DIMENSIONS

↔ w:900mm FGC920
w:700mm FGC720
w:600mm FGC620

PERFORMANCE

Ⓜ Energy Class D
Fluid Dynamic Efficiency D
Light Efficiency B
Grease Absorption C
Annual Consumption
60kWh/yr
Max. extraction 580m³/h
Max. noise level 68dB[A]

FINISH AVAILABLE

● Stainless Steel with
flat clear glass

FEATURES

- Push button controls
- 3 Speeds
- 2 x 1.5W high intensity LED lights
- Aluminium grease filter
- Required ducting size 150mm
- Recirculation kit available

OPTIONAL EXTRAS

- Recirculation kit [CAP61CF]
- Visit caple.co.uk for full range

INSTALLATION

- *Diagram [p.287]*
- *Venting Kits [p.266]*

FEATURES



FUNCTION AND POWER

This model has a powerful maximum extraction rate of 580m³/h, perfect if you're looking for style, functionality and raw power.

Wall Chimney Hoods



CGC910SS



CGC710SS



CGC610SS



CGC910BK



CGC710BK



CGC610BK

PRODUCT CODE

Stainless Steel	CGC910SS
Black	CGC910BK
Stainless Steel	CGC710SS
Black	CGC710BK
Stainless Steel	CGC610SS
Black	CGC610BK

DIMENSIONS

↔	w:900mm	CGC910SS
	w:900mm	CGC910BK
	w:700mm	CGC710SS
	w:700mm	CGC710BK
	w:600mm	CGC610SS
	w:600mm	CGC610BK

PERFORMANCE

Ⓜ	CGC910
	Energy Class D
	Fluid Dynamic Efficiency F
	Light Efficiency D
	Grease Absorption B
	Annual Consumption 60kWh/yr
	Max. extraction 436m ³ /h
	Max. noise level 60dB[A]

CGC710 & CGC610

Energy Class D
Fluid Dynamic Efficiency F
Light Efficiency C
Grease Absorption G
Annual Consumption 59kWh/yr
Max. extraction 436m ³ /h
Max. noise level 60dB[A]

FINISH AVAILABLE

- Stainless Steel with curved clear glass
- Black with curved clear glass

FEATURES

- Push button controls
- 3 Speeds
- 2 x 1.5W high intensity LED lights
- Aluminium grease filters
- Required ducting size 150mm
- Recirculation kit available

OPTIONAL EXTRAS

- Recirculation kit [CAP61CF]
- Visit caple.co.uk for full range

INSTALLATION

- Diagram [p.287]
- Venting Kits [p.266]



SPLASHBACK

This unique splashback has been designed to fit perfectly with the curved canopy of the Caple CGC hoods and is available in black, pewter or stainless steel – see p182-183.

Wall Chimney Hoods



BXC910



BXC610

PRODUCT CODE

BXC910
BXC610

DIMENSIONS

↔ w:900mm BXC910
w:600mm BXC610

PERFORMANCE

ⓔ BXC910
Energy Class C
Fluid Dynamic Efficiency D
Light Efficiency A
Grease Absorption D
Annual Consumption
86kWh/yr
Max. extraction 571m³/h
Max. noise level 76dB[A]

BXC610

Energy Class D
Fluid Dynamic Efficiency F
Light Efficiency B
Grease Absorption C
Annual Consumption
61kWh/yr
Max. extraction 448m³/h
Max. noise level 59dB[A]

FINISH AVAILABLE

● Stainless Steel

FEATURES

- Push button controls
- 3 Speeds
- 2 x 1.5W high intensity LED lights
- Aluminium grease filters
- Required ducting size 150mm
- Recirculation kit available

OPTIONAL EXTRAS

- Recirculation kit [CAP61CF]
- Visit caple.co.uk for full range

INSTALLATION

- Diagram [p.288]
- Venting Kits [p.266]



Wall Chimney Hoods



CCH100



CCH900SS



CCH900BK



CCH700



CCH600SS



CCH600BK

PRODUCT CODE

Stainless Steel	CCH100
Stainless Steel	CCH900SS
Black	CCH900BK
Stainless Steel	CCH700
Stainless Steel	CCH600SS
Black	CCH600BK

FINISH AVAILABLE

- Stainless Steel
- Black

DIMENSIONS

↔	w:1000mm	CCH100
	w:900mm	CCH900SS
	w:900mm	CCH900BK
	w:700mm	CCH700
	w:600mm	CCH600SS
	w:600mm	CCH600BK

FEATURES

- Push button controls
- 3 Speeds
- 2 x 28W eco halogen lights
- Aluminium grease filters
- Required ducting size 150mm
- Recirculation kit available

PERFORMANCE

- e Energy Class D
- Fluid Dynamic Efficiency E
- Light Efficiency G
- Grease Absorption
 - CCH100 & CCH900 - D
 - CCH600 & CCH700 - C
- Annual Consumption 74kWh/yr
- Max. extraction 299m³/h
- Max. noise level 63dB[A]

OPTIONAL EXTRAS

- Recirculation kit [CAP60CF]
- Visit caple.co.uk for full range

INSTALLATION

- *Diagram [p.288]*
- *Venting Kits [p.266]*

FEATURES



FUNCTION AND POWER

Simple in design, efficient in performance with a choice of 2 finishes to suit your kitchen.

Integrated Hood



2MINCH9

PRODUCT CODE

2MINCH9

DIMENSIONS

w:600mm

PERFORMANCE

- Energy Class F
- Fluid Dynamic Efficiency F
- Light Efficiency G
- Grease Absorption D
- Annual Consumption 158kWh/yr
- Max. extraction 296.3m³/h
- Max. noise level 71dB[A]

FINISH AVAILABLE

Silver Grey

FEATURES

- Two motors
- Slider control
- 3 Speeds
- 2 x 25W halogen lights
- Aluminium grease filters
- Required ducting size 120mm
- Recirculation kit available

Integrated Hood



1MINCH9

PRODUCT CODE

1MINCH9

DIMENSIONS

w:600mm

PERFORMANCE

- Energy Class E
- Fluid Dynamic Efficiency F
- Light Efficiency G
- Grease Absorption C
- Annual Consumption 81kWh/yr
- Max. extraction 183.2m³/h
- Max. noise level 67dB[A]

FINISH AVAILABLE

Silver Grey

FEATURES

- One motor
- Slider control
- 3 Speeds
- 1 x 28W halogen light
- Acrylic grease filter
- Required ducting size 120mm
- Recirculation kit available

OPTIONAL EXTRAS

- Recirculation kit [CAP34CF]

Visit caple.co.uk for full range

INSTALLATION

- *Diagram [p.288]*
- *Venting Kits [p.266]*

OPTIONAL EXTRAS

- Recirculation kit [CAP20CF]

Visit caple.co.uk for full range

INSTALLATION

- *Diagram [p.288]*
- *Venting Kits [p.266]*

Storm Built-Under Hoods



ST852



ST522

PRODUCT CODE

ST852
ST522

DIMENSIONS

↔ w:850mm ST852
w:520mm ST522

PERFORMANCE

ⓔ ST852
Energy Class A
Fluid Dynamic Efficiency A
Light Efficiency B
Grease Absorption A
Annual Consumption
57kWh/yr
Max. extraction 726m³/h
Max. noise level 63dB[A]

ST522

Energy Class B
Fluid Dynamic Efficiency B
Light Efficiency A
Grease Absorption A
Annual Consumption
56kWh/yr
Max. extraction 654m³/h
Max. noise level 63dB[A]

FINISH AVAILABLE

● Stainless Steel

FEATURES

- Electronic controls
- 4 Speeds [inc. Boost]
- Auto timer
- 6W LED strip light
- Stainless steel grease filters
- Required ducting size 150mm
- Recirculation kit available

OPTIONAL EXTRAS

- Recirculation kit [CAP65CF - 2 required for ST852]
- Visit cuple.co.uk for full range

INSTALLATION

- *Diagram [p.288]*
- *Venting Kits [p.266]*



Built-Under Hood



BU521

PRODUCT CODE

BU521

DIMENSIONS

↔ w:520mm

PERFORMANCE

- ⓔ Energy Class B
- Fluid Dynamic Efficiency B
- Light Efficiency A
- Grease Absorption B
- Annual Consumption 58kWh/yr
- Max. extraction 604m³/h
- Max. noise level 70dB[A]

FINISH AVAILABLE

- Stainless Steel

FEATURES

- Push button controls
- 3 Speeds
- 2 x 20W halogen lights
- Aluminium grease filter
- Required ducting size 150mm
- Recirculation kit available

OPTIONAL EXTRAS

- Recirculation kit [CAP66CF]
- Visit caple.co.uk for full range

INSTALLATION

- *Diagram [p.288]*
- *Venting Kits [p.266]*

Built-Under Telescopic Hood



TSCH600

PRODUCT CODE

TSCH600

DIMENSIONS

↔ w:600mm

PERFORMANCE

- ⓔ Energy Class D
- Fluid Dynamic Efficiency E
- Light Efficiency G
- Grease Absorption D
- Annual Consumption 75kWh/yr
- Max. extraction 289m³/h
- Max. noise level 62dB[A]

FINISH AVAILABLE

- Stainless Steel fascia with Silver Grey body

FEATURES

- Dual switch controls
- 2 Speeds
- 2 x 28W eco halogen lights
- Aluminium grease filter
- Required ducting size 120mm
- Recirculation kit available

OPTIONAL EXTRAS

- Recirculation kit [CAP60CF]
- Visit caple.co.uk for full range

INSTALLATION

- *Diagram [p.288]*
- *Venting Kits [p.266]*

Built-Under Hood



2MBUCH3

PRODUCT CODE

2MBUCH3

DIMENSIONS

↔ w:528mm

PERFORMANCE

- Energy Class E
- Fluid Dynamic Efficiency G
- Light Efficiency G
- Grease Absorption E
- Annual Consumption 128kWh/yr
- Max. extraction 237m³/h
- Max. noise level 66dB[A]

FINISH AVAILABLE

- Stainless Steel

FEATURES

- Two motors
- Slider control
- 3 Speeds
- 2 x 25W halogen lights
- Aluminium grease filters
- Required ducting size 120mm
- Recirculation kit available

OPTIONAL EXTRAS

- Recirculation kit [CAP34CF]
- Visit cagle.co.uk for full range

INSTALLATION

- Diagram [p.289]
- Venting Kits [p.266]

Conventional Hood



FSCHS57

PRODUCT CODE

FSCHS57

DIMENSIONS

↔ w:600mm

PERFORMANCE

- Energy Class E
- Fluid Dynamic Efficiency F
- Light Efficiency G
- Grease Absorption E
- Annual Consumption 77kWh/yr
- Max. extraction 162m³/h
- Max. noise level 64dB[A]

FINISH AVAILABLE

- Stainless Steel

FEATURES

- Push button controls
- 3 Speeds
- 1 x 28W eco halogen light
- Aluminium grease filters
- Required ducting size 120mm
- Recirculation kit available

OPTIONAL EXTRAS

- Recirculation kit [CAP62CF]
- Visit cagle.co.uk for full range

INSTALLATION

- Diagram [p.289]
- Venting Kits [p.266]

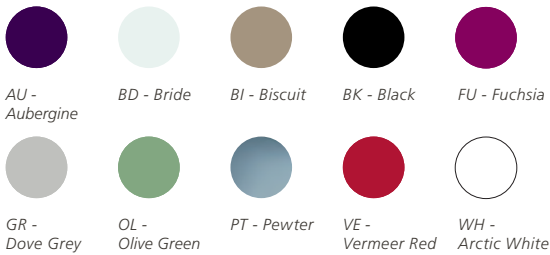
A close-up, low-angle shot of the rim of a clear glass, showing the sharp edge and the reflection of light. The glass is positioned on the right side of the frame, with the rest of the background being a plain, light-colored surface.

SPLASHBACKS

The perfect finishing touch.



Toughened Glass Splashback



PRODUCT CODE

TSB1000**
TSB900**
TSB600**

For chosen colour option, replace * with colour code – see swatches above.

[Black TSBG1000BK and pewter TSBG1000PT ONLY]

DIMENSIONS

↔	TSB1000 w:1000mm
	TSB900 w:900mm
	TSB600 w:600mm
	h:750mm
	d:5mm

FEATURES

- 10 Colours available
- Will not mark with fingerprints
- Adhesive backed for quick and easy DIY installation [no unsightly fixing screws]
- Toughened glass
- Conforms to BS EN12150:1 British Safety Standards
- Hygienic
- Opaque colour finish
- Can be applied to all flat non-porous, clean surfaces

Curved Toughened Glass Splashback



Colours are only a guide.
Glass sample packs are available to order [code TSB/SAMP10]

PRODUCT CODE

TSBCURVE900**
TSBCURVE700**
TSBCURVE600**

For chosen colour option, replace * with colour code – see swatches above.

w:900mm – fits the CGC910 hoods, see pg.173 [code TSBCURVE900**]
w:700mm – fits the CGC710 hoods, see pg.173 [code TSBCURVE700**]
w:600mm – fits the CGC610 hoods, see pg.173 [code TSBCURVE600**]

DIMENSIONS

↔	TSBCURVE900** w:895mm
	TSBCURVE700** w:695mm
	TSBCURVE600** w:595mm
	h:750mm
	d:5mm

FEATURES

- 2 Colours available
- Will not mark with fingerprints
- Adhesive backed for quick and easy DIY installation [no unsightly fixing screws]
- Toughened glass
- Conforms to BS EN12150:1 British Safety Standards
- Hygienic
- Opaque colour finish
- Can be applied to all flat non-porous, clean surfaces



SAFE AND EASY TO INSTALL

Caple splashbacks are adhesive-backed. This stops them shattering and allows fitting to any clean, non-porous surface. All our glass products meet British Safety Standards and are made from toughened glass.

Stainless Steel Splashback



Stainless Steel

PRODUCT CODE

CSB1005
CSB905
CSB705
CSB605

DIMENSIONS

- ↔ CSB1005
w:1000mm
- CSB905
w:900mm
- CSB705
w:700mm
- CSB605
w:600mm
- h:700mm
d:10.5mm

Curved Stainless Steel Splashback



Stainless Steel

PRODUCT CODE

CSBCURVE905
CSBCURVE705
CSBCURVE605

w:900mm – fits the
CGC910 hoods, see pg.173
[code CSBCURVE905]
w:700mm – fits the CGC710
hoods, see pg.173
[code CSBCURVE705]
w:600mm – fits the
CGC610 hoods, see pg.173
[code CSBCURVE605]

DIMENSIONS

- ↔ CSBCURVE905
w:900mm
- CSBCURVE705
w:700mm
- CSBCURVE605
w:600mm
- h:750mm
d:10.5mm

COOKING

182

183

SPLASHBACKS



COOLING

- 192 Freestanding Refrigeration
- 208 Integrated Refrigeration
- 218 Wine Cabinets







A CHOICE FOR EVERY KITCHEN

If it needs cooling, Caple can do it. From family-friendly French door fridge freezers to single larder fridges and stylish wine cabinets our range can provide the perfect environment for food and drink of every kind.

Our refrigeration appliances come in all shapes and sizes, either as stand-alone units or neatly integrated into your kitchen design. Many come with A++ energy ratings, all come with cleverly designed interiors to make the most of the available space. Different colours, different finishes and plenty of functionality make them the desirable residence for all foodstuffs.

Caple wine cabinets are designed for the serious entertainer. With carefully calibrated temperatures, low vibration compressors and white LED lighting to keep your wines in peak condition, these cabinets put you in total control.

COOLING

186

187

INTRODUCTION





REFRIGERATION

Chill it, freeze it, love it.

Whether you want a discreet space-saving under-counter fridge or something more spacious, you'll find it right here.

WHATEVER YOU WANT, THAT'S COOL.

We've one for every kind of kitchen, big or small. Different colours, different finishes, different sizes and plenty of functionality.



FRENCH DOOR

These large, freestanding fridge freezers have two doors on the top for the fridge and drawers underneath for the freezer, great for storing large items.



SIDE-BY-SIDE

Available in a choice of three colours some can also be plumbed in for a constant supply of cold filtered water and ice.



FREESTANDING

Large freestanding fridges and freezers such as the RFL and RFZ models can pair together with a matching joint-seal to create one large, cooling centre. Alternatively some of our smaller stand-alone fridge freezers are a stylish and practical choice if space is an issue.



INTEGRATED

Our fridge freezer combinations or compact under-counter and in-column products can be hidden behind furniture doors. Choose fridges and freezers in different sizes and combinations depending on the space available and where you want to put them in your kitchen.



FRENCH DOOR FRIDGE FREEZERS

Convenience, additional storage and ease of use are the benefits of a French door fridge freezer compared to other types of refrigeration. Add the fact they're available in black or stainless steel and come complete with an 'A+' energy rating, then you've got an efficient, modern, family friendly appliance that looks great too.



HUMIDITY CONTROL

Help preserve fresh foods for longer by adjusting the humidity in the crisper compartments. [1]

LED TOUCH CONTROLS

Easily control the temperature of the fridge and freezer from the touch control LED panel. [2]

ICE MAKER

Dedicated twist ice trays easily produce ice, and with a turn you can store it below ready for use. [3]





CAFF30

COOLING

192

193

FRENCH DOOR FRIDGE FREEZERS

CAPACITY IS KEY

With full width upper shelves and deep drawers for your fruit and vegetables you have easy access to all your food and drink stored in these big family fridge freezers. The lower freezer drawers glide easily in and out offering flexible, organised storage for all your frozen goods as well as a unique twist ice maker for a constant ice supply.

French Door Fridge Freezer



CAFF30



PRODUCT CODE

CAFF30

DIMENSIONS

- ↔ h:1776mm
- w:912mm
- d:705mm
[inc. door - excl. handle]
- d:765mm
[inc. door and handle]

PERFORMANCE

- Ⓛ - Energy Class A+
- Energy consumption 410kWh/yr
- Max. noise level 43dB
- Freezing capacity 10kg/24hrs

FINISH AVAILABLE

- Stainless Steel

FEATURES

- Super freeze and super cool functions
- In door water dispenser
- Electronic touch control with LED display
- 4 Star freezer
- Auto defrost
- Frost-free
- High temperature alarm
- Open door alarm
- Holiday mode
- Multi-air flow design in fridge and freezer compartments
- Crisper compartment with humidity control
- Twist ice maker [in freezer]
- Child safety lock
- 100% CFC / HFC free
- Enhanced energy saving LED lighting
- Climate class SN-N-ST-T

DESIGN

- Stainless steel doors with grey cabinet
- Metal curved handles

STORAGE

- 2 Spill-capture adjustable glass shelves
- 1 Spill-proof shelf crisper lid
- 2 Salad crispers
- 1 Keep fresh compartment
- 2 Covered dairy compartments
- 3 Door storage racks
- 1 Freezer drawer, 3 compartments
- 1 Drinks rack

CAPACITY

- 18.92 Cu ft/536 Litre total net capacity
- 22.25 Cu ft/630 Litre total gross capacity
- 14.73 Cu ft/417 Litre fridge net capacity
- 4.20 Cu ft/119 Litre freezer net capacity

INSTALLATION

- *Diagram [p.289]*

French Door Fridge Freezer



CAFF40BK

PRODUCT CODE

CAFF40BK

DIMENSIONS

↔ h:1775mm
w:911mm
d:728.5mm
[inc. door - excl. handle]
d:788.5mm
[inc. door and handle]

PERFORMANCE

e - Energy Class A+
- Energy consumption 405kWh/yr
- Max. noise level 45dB
- Freezing capacity 10kg/24hrs

FINISH AVAILABLE

● Black

FEATURES

- Full air-cooled double refrigeration cycle
- 3-dimensional air circulation system
- Electronic touch control with LED display
- 4 Star freezer
- Auto defrost
- Frost-free
- Twist ice maker [in freezer]
- 100% CFC/HFC free
- Enhanced LED lighting

DESIGN

- Black doors with a black cabinet
- Metal curved handles

STORAGE

- 4 Spill-capture adjustable glass shelves
- 1 Spill-proof crisper lid
- 2 Salad crispers
- 1 Mini drawer
- 2 Covered dairy compartments
- 6 Door storage racks
- 2 Freezer drawers

CAPACITY

- 19.1 Cu ft/542 Litre total net capacity
- 20.1 Cu ft/570 Litre total capacity
- 422 Litre fridge net capacity
- 120 Litre freezer net capacity

INSTALLATION

- *Diagram [p.289]*

COOLING

194

195

FRENCH DOOR FRIDGE FREEZERS

SIDE-BY-SIDE FRIDGE FREEZERS

A big family or big on entertaining at home? Either way a side-by-side fridge freezer is ideal. They are available with or without ice and water, come in black, white or stainless steel and have an 'A+' energy rating.

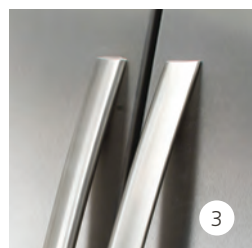
ICE AND WATER?

If you like ice with your drinks you can choose between crushed or cubed. Chilled, filtered water is also available at the touch of a button on our CAFF206 models.

If you'd prefer the extra space in the freezer or can't have a fridge freezer plumbed directly in to your kitchen's water supply choose the CAFF23 without ice or water dispenser.

Great for modern, spacious kitchens.





WATER FILTERS

Fresh, great tasting filtered water supplied at the touch of a button. It improves the taste and odour by reducing chlorine, heavy metals and other sediments found in your tap water supply. It is located at the rear of the fridge compartment to allow easy access and it is quick to change with its simple, twist fit installation. [1]

LED TOUCH CONTROLS

Easily control the temperature of the fridge and freezer from the touch control LED panel. [2]

HANDLES

Beautifully crafted curved metal handles adds a welcome touch of style. [3]

INTERNAL LED LIGHTING

Bold, well positioned LED lighting illuminates the interior of the fridge for excellent visibility. [4]

ICE AND WATER DISPENSER

Fully automatic in-door ice and water dispenser available on some models. With the option of cubed or crushed ice at the touch of a button. [5]

Side-By-Side Fridge Freezers



CAFF206SS



CAFF206BK

PRODUCT CODE

Stainless Steel CAFF206SS
Black CAFF206BK

DIMENSIONS

↔ h:1751mm
w:922mm
d:700mm
[inc. door - excl. handle]
d:751mm
[inc. door and handle]

PERFORMANCE

Ⓜ - Energy Class A+
- Energy consumption
431kWh/yr
- Max. noise level 45dB
- Freezing capacity
12kg/24hrs

FINISH AVAILABLE

● Stainless Steel
● Black

FEATURES

- Super freeze and super cool functions
- In-door ice and water dispenser
- Cubed and crushed ice
- Electronic touch control with LED display
- 4 Star freezer
- Auto defrost
- Frost-free
- High temperature alarm
- Open door alarm
- Multi-air flow design
- Easy fit water filter cartridge located in the fridge compartment
- Child safety lock
- 100% CFC/HFC free
- Enhanced LED lighting
- Climate class SN-ST-T

DESIGN

- Stainless steel doors with a grey cabinet or black doors with a black cabinet
- Metal curved handles

STORAGE

- 5 Spill-capture adjustable glass shelves
- 1 Spill-proof crisper lid
- 2 Salad crispers
- 7 Door storage racks
- 1 Covered dairy compartment
- 2 Freezer drawers

CAPACITY

- 19.42 Cu ft/550 Litre total net capacity
- 22.25 Cu ft/630 Litre total gross capacity
- 12.85 Cu ft/364 Litre fridge net capacity
- 6.57 Cu ft/186 Litre freezer net capacity

INSTALLATION

- *Diagram [p.289]*



COOLING

198

199

SIDE-BY-SIDE FRIDGE FREEZERS

Side-By-Side Fridge Freezer



CAFF23



PRODUCT CODE

CAFF23

DIMENSIONS

- ↔ h:1751mm
- w:922mm
- d:700mm
- [inc. door - excl. handle]
- d:751mm
- [inc. door and handle]

PERFORMANCE

- e - Energy Class A+
- Energy consumption 456kWh/yr
- Max. noise level 45dB
- Freezing capacity 15kg/24 hrs

FINISH AVAILABLE

- Stainless Steel

FEATURES

- Super freeze and super cool functions
- Electronic touch control with LED display
- 4 Star freezer [2 star in door storage]
- Auto defrost
- Frost-free
- High temperature alarm
- Open door alarm
- Multi air flow system
- Child safety lock
- 100% CFC/HFC free
- Internal LED lights

DESIGN

- Stainless steel doors with a grey cabinet
- Metal curved handles

STORAGE

- 6 Spill-capture adjustable glass shelves
- 1 Spill-proof crisper lid
- 2 Salad crispers
- 1 Covered dairy compartment
- 9 Door storage racks
- 2 Freezer drawers

CAPACITY

- 20.55 Cu ft/582 Litre total net capacity
- 22.25 Cu ft/630 Litre total gross capacity
- 13.21 Cu ft/374 Litre fridge net capacity
- 7.35 Cu ft/208 Litre freezer net capacity

INSTALLATION

- *Diagram [p.289]*



COOLING

200

201

SIDE-BY-SIDE FRIDGE FREEZERS



FREESTANDING REFRIGERATION

Together or apart, our freestanding appliances look stunning. Minimal in design yet striking in looks with performance to match.

A separate fridge and a separate freezer both with 'A++' energy ratings, stainless steel clad doors and handles to add timeless style to super efficiency or choose a fresh white finish to match your kitchen.



PAIRING COMBINATIONS

Pairing the RFL71SS with the RFZ71SS or the RFL70WH with the RFZ70WH gives you plenty of storage space and flexibility. [1]

GLASS FRIDGE SHELVES

Toughened glass shelves feature a clever spill proof design.

BRIGHT INTERIOR LIGHTING

Bold, well positioned lighting illuminates the interior of the fridge for excellent visibility. [2]

Freestanding Larder Fridges



RFL71SS



RFL70WH

PRODUCT CODE

Stainless Steel RFL71SS
White RFL70WH

DIMENSIONS

h:1855mm
w:595mm
d:635mm
[inc. door - excl. handle]
d:685mm
[inc. door and handle]

PERFORMANCE

- Energy Class A++
- Energy consumption
113kWh/yr
- Max. noise level 43dB

FINISH AVAILABLE

● Stainless Steel
○ White

FEATURES

- Matches RFZ71SS or RFZ70WH freezer - can be joined with extra jointing strip [included with freezer]
- Electronic touch control with LED display
- Auto defrost
- Frost-free
- High humidity
- Reversible door
- 100% CFC/HFC free
- LED interior light

DESIGN

- Stainless steel door with a grey cabinet or white door with a white cabinet
- Stainless steel or white handle
- Transparent drawers and compartments

STORAGE

- 5 Adjustable glass shelves
- 1 Spill-proof crisper lid
- 2 Salad crispers
- 7 Plastic door storage compartments

CAPACITY

- 12.4 Cu ft/350 Litre total net capacity
- 12.5 Cu ft/355 Litre total gross capacity

INSTALLATION

- *Diagram [p.290]*

Freestanding Freezers



RFZ71SS



RFZ70WH

COOLING

204

205

FREESTANDING REFRIGERATION

PRODUCT CODE

Stainless Steel RFZ71SS
White RFZ70WH

DIMENSIONS

h:1855mm
w:595mm
d:645mm [inc. door - excl. handle]
d:695mm [inc. door and handle]

PERFORMANCE

- Energy Class A++
- Energy consumption 247kWh/yr
- Max. noise level 45dB
- Freezing capacity 16kg/24hrs

FINISH AVAILABLE

● Stainless Steel
○ White

FEATURES

- Matches RFL71SS or RFL70WH larder - can be joined with extra jointing strip [included with freezer]
- Electronic touch control with LED display
- Super freeze function
- Multi air flow system
- Auto defrost
- 4 Star
- Frost-free
- Twist ice maker
- Reversible door
- 100% CFC/HFC free

DESIGN

- Stainless steel door with a grey cabinet or white door with a white cabinet
- Stainless steel or white handle
- Transparent drawers and compartments

STORAGE

- 5 large capacity drawers
- 2 Plastic door storage compartments

CAPACITY

- 9.18 Cu ft/260 Litre total net capacity
- 9.22 Cu ft/261 Litre total gross capacity

INSTALLATION

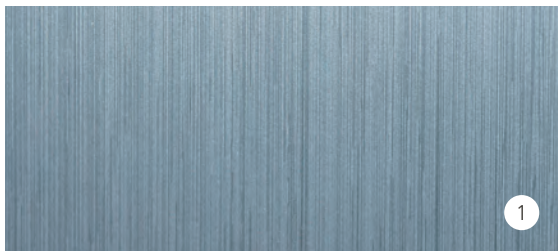
- Diagram [p.290]



Fridge Freezer Combination
RFL71SS and RFZ71SS



Fridge Freezer Combination
RFL70WH and RFZ70WH



SILVER STAINLESS STEEL EFFECT

A modern silver finish with a coarsely brushed stainless steel effect ensures this fridge freezer suits both stainless steel and black appliances. [1]

GLASS FRIDGE SHELVES

Toughened glass shelves are ideal for storing a range of food and feature a clever spill proof design. [2]

BRIGHT INTERIOR LIGHTING

Bold, well positioned lighting illuminates the interior of the fridge for excellent visibility. [3]



MAKING THE MOST OF YOUR SPACE

If you don't quite have the space to entertain a side-by-side fridge freezer, but still want a freestanding model, RFF553 and RFF552 are the obvious options. Offering a choice of finishes, an 'A+' energy rating and plenty of storage space, style and functionality go hand in hand.

The doors are also reversible, so you can fit them to suit the space available.

Freestanding Fridge Freezers



RFF553



RFF552

PRODUCT CODE

Stainless Steel Effect RFF553
White RFF552

FINISH AVAILABLE

- Stainless Steel Effect
- White

DIMENSIONS

- h: 1655mm
- w: 550mm
- d: 580mm [with door]

PERFORMANCE

- Energy Class A+
- Energy consumption 241kWh/yr
- Max. noise level 42dB[A]
- Freezing capacity 4kg/24hrs

FEATURES

- Mechanically controlled
- 4 star freezer
- Auto defrost [fridge]
- Manual defrost [freezer]
- Interior light
- 100% CFC/HFC free
- Reversible doors

DESIGN

- A modern silver finish with a coarsely brushed stainless steel effect or white

STORAGE

- 2 Spill-proof toughened glass shelves
- 1 Spill-proof crisper lid
- 2 Salad crisper drawers
- 2 Full width door balconies
- 3 Half width door balconies
- 4 Freezer drawers

CAPACITY

- 8.1 Cu ft/229 Litre total net capacity
- 8.4 Cu ft/239 Litre total gross capacity
- 5.0 Cu ft/141 Litre fridge net capacity
- 3.1 Cu ft/88 Litre freezer net capacity

INSTALLATION

- Diagram [p.290]

INTEGRATED REFRIGERATION

Choose from tall column fridge or freezer combinations or compact under-counter models. How about an entirely separate fridge and freezer located in different spots around the kitchen? There are also tall all-in-one models that fit neatly into a single space.

Whatever you decide, it's reassuring to know that all of Caple's integrated refrigeration appliances have an 'A+' energy rating.



GLASS SHELVES

Some with deluxe steel trims to catch any spills. [1]

FRESH COLOURS

Blue transparent drawers and trays add a fresh, contemporary feel. [2]

LED LIGHTING

Cool blue lighting adds a modern feel. [3]

WINE RACK OPTION

You can add a chrome wine rack that slots in like a shelf and holds four 750ml bottles. [4]





FROST-FREE

No more laborious defrosting with a scraper. Our frost-free system works by heating up an element for a short time, which melts the ice and prevents build-up. Keeping a freezer ice-free means food stays fresher for longer. Freezing food is also much quicker, preserving as many nutrients as possible and freeing up much needed storage space.

SUPER FREEZE

Some models have Super Freeze, which speeds up freezing time and optimises performance.

70/30 Fridge Freezer – Frost-Free



Ri737

70/30 Fridge Freezer



Ri735

PRODUCT CODE

Ri737
Ri735

DIMENSIONS

← h:1776mm

PERFORMANCE

- e - Energy Class A+
- Energy consumption 281kWh/yr for Ri737
- Energy consumption 286kWh/yr for Ri735
- Max. noise level 39dB[A]
- 3kg/24hrs freezing capacity for Ri737
- 3.5kg/24hrs freezing capacity for Ri735

FINISH AVAILABLE

○ White

GENERAL FEATURES

- Mechanically controlled
- 100% CFC/HFC free
- Sliding door installation
- Reversible doors

Fridge

- Auto defrost
- Adjustable thermostat
- LED Interior light

Freezer

- 4 Star

DESIGN

- Transparent blue plastic drawers and compartments

STORAGE

- 4 Adjustable glass shelves
- 1 Glass crisper cover shelf
- 2 Salad crispers
- 4 Plastic door storage compartments
- 1 Egg tray
- 3 Freezer drawers
- 1 Ice cube tray

OPTIONAL EXTRAS

- Chrome wine rack that holds four 750ml wine bottles CAPWINERK/CH
- Visit caple.co.uk for full range

Ri737**UNIQUE FEATURES****Fridge**

- Deluxe steel trimmed interior

Freezer

- Frost-free

Capacity

- 246 Litre total net capacity
- 251 Litre total gross capacity
- 190 Litre fridge net capacity
- 56 Litre freezer net capacity

Ri735**UNIQUE FEATURES****Freezer**

- Manual defrost

Capacity

- 260 Litre total net capacity
- 272 Litre total gross capacity
- 190 Litre fridge net capacity
- 70 Litre freezer net capacity

INSTALLATION

- *Diagram [p.290]*

**CHROME WINE RACK**

Add a chrome wine rack to any in column refrigeration, it slots in just like a shelf and holds four 750ml bottles.

50/50 Fridge Freezer – Frost-Free



Ri558

PRODUCT CODE

Ri558
Ri556

DIMENSIONS

↔ h:1773mm

PERFORMANCE

- ⓔ - Energy Class A+
- Energy consumption 299kWh/yr for Ri558
- Energy consumption 281kWh/yr for Ri556
- Max. noise level 39dB[A]
- 4.5kg/24hrs freezing capacity

FINISH AVAILABLE

○ White

GENERAL FEATURES

- Mechanically controlled
- 100% CFC/HFC free
- Reversible doors
- Sliding door installation

Fridge

- Auto defrost
- Adjustable thermostat
- LED Interior light

Freezer

- 4 Star

DESIGN

- Transparent blue plastic drawers and compartments

STORAGE

- 3 Adjustable glass shelves
- 1 Glass crisper cover shelf
- 2 Salad crispers
- 3 Plastic door storage compartments
- 1 Egg tray
- 4 Freezer drawers
- 1 Ice cube tray

OPTIONAL EXTRAS

- Chrome wine rack that holds four 750ml wine bottles CAPWINERK/CH

Visit cuple.co.uk for full range

50/50 Fridge Freezer



Ri556

Ri558 UNIQUE FEATURES

Fridge

- Deluxe steel trimmed interior

Freezer

- Frost free

Capacity

- 232 Litre total net capacity
- 241 Litre total gross capacity
- 154 Litre fridge net capacity
- 78 Litre freezer net capacity

Ri556 UNIQUE FEATURES

Freezer

- Manual defrost

Capacity

- 244 Litre total net capacity
- 256 Litre total gross capacity
- 154 Litre fridge net capacity
- 90 Litre freezer net capacity

INSTALLATION

- *Diagram [p.291]*



CHROME WINE RACK

Add a chrome wine rack to any in column refrigeration, it slots in just like a shelf and holds four 750ml bottles.

In-Column Larder Fridge



RiL179

PRODUCT CODE

RiL179

DIMENSIONS

↔ h:1773mm

PERFORMANCE

- ⓔ
- Energy Class A+
 - Energy consumption 142kWh/yr
 - Max. noise level 41dB[A]

FINISH AVAILABLE

○ White

FEATURES

- Matches RiF178 freezer
- Mechanically controlled
- Auto defrost
- Adjustable thermostat
- 100% CFC/HFC free
- Interior LED light
- Sliding door installation
- Reversible door

DESIGN

- Deluxe steel trimmed interior
- Transparent blue plastic drawers and compartments

STORAGE

- 7 Removable glass shelves
- 1 Glass crisper cover shelf
- 2 Salad crispers
- 5 Plastic door storage compartments

CAPACITY

- 316 Litre total net capacity
- 319 Litre total gross capacity

OPTIONAL EXTRAS

- Chrome wine rack that holds four 750ml wine bottles CAPWINERK/CH [p.204]

Visit caple.co.uk for full range

INSTALLATION

- *Diagram [p.291]*

In-Column Freezer



RiF178

PRODUCT CODE

RiF178

DIMENSIONS

↔ h:1773mm

PERFORMANCE

- ⓔ
- Energy Class A+
 - Energy consumption 277kWh/yr
 - Max. noise level 41dB[A]
 - 10.5kg/24hrs freezing capacity

FINISH AVAILABLE

○ White

FEATURES

- Matches RiL179 larder fridge
- Mechanically controlled
- Super freeze function
- Manual defrost
- 4 Star
- Temperature alarm
- Adjustable thermostat
- 100% CFC/HFC free
- Sliding door installation
- Reversible door

DESIGN

- Transparent blue plastic drawers

STORAGE

- 9 Drawers
- 1 Ice cube tray

CAPACITY

- 217 Litre total net capacity
- 228 Litre total gross capacity

INSTALLATION

- *Diagram [p.291]*



In-Column Larder Fridge with Ice Box



RiR179

PRODUCT CODE

RiR179

DIMENSIONS

↔ h:1773mm

PERFORMANCE

- ⊖ - Energy Class A+
- Energy consumption 273kWh/yr
- Max. noise level 39dB[A]
- 2kg/24hrs freezing capacity

FINISH AVAILABLE

○ White

FEATURES

- Matches RiF178 freezer
- Mechanically controlled
- 100% CFC/HFC free
- Sliding door installation
- Reversible door

Fridge

- Auto defrost
- Adjustable thermostat
- Interior light

Ice Box

- 4 Star
- Manual defrost

DESIGN

- Deluxe steel trimmed interior
- Transparent blue plastic drawers and compartments

STORAGE

- 4 Removable glass shelves
- 1 Glass crisper cover shelf
- 2 Salad crispers
- 5 Plastic door storage compartments
- 1 Egg tray
- 1 Ice cube tray

CAPACITY

- 302 Litre total net capacity
- 304 Litre total gross capacity
- 265 Litre fridge net capacity
- 37 Litre freezer net capacity

OPTIONAL EXTRAS

- Chrome wine rack that holds four 750ml wine bottles CAPWINERK/CH [p.204]

Visit caple.co.uk for full range

INSTALLATION

- Diagram [p.291]

COOLING

212

213

INTEGRATED REFRIGERATION

In-Column Larder Fridge



RiL124

PRODUCT CODE

RiL124

DIMENSIONS

h:1220mm

PERFORMANCE

- Energy Class A+
- Energy consumption 127kWh/yr
- Max. noise level 41dB[A]

FINISH AVAILABLE

 White

FEATURES

- Matches RiF123 freezer
- Mechanically controlled
- Auto defrost
- Adjustable thermostat
- Interior LED light
- Sliding door installation
- Reversible door

DESIGN

- Deluxe steel trimmed interior
- Transparent blue plastic drawer and compartments

STORAGE

- 4 Removable glass shelves
- 1 Glass crisper cover shelf
- 1 Salad crisper
- 3 Plastic door storage compartments
- 1 Egg tray

CAPACITY

- 206 Litre total net capacity
- 208 Litre total gross capacity

OPTIONAL EXTRAS

- Chrome wine rack that holds 4 750ml wine bottles CAPWINERK/CH [p.204]

Visit caple.co.uk for full range

INSTALLATION

- *Diagram [p.291]*

In-Column Freezer



RiF123

PRODUCT CODE

RiF123

DIMENSIONS

h:1220mm

PERFORMANCE

- Energy Class A+
- Energy consumption 215kWh/yr
- Max. noise level 41dB[A]
- 6.5kg/24hrs freezing capacity

FINISH AVAILABLE

 White

FEATURES

- Matches RiL124 larder fridge
- Super freeze function
- Mechanically controlled
- 4 Star
- Manual defrost
- Adjustable thermostat
- Temperature alarm
- 100% CFC/HFC free
- Sliding door installation
- Reversible door

DESIGN

- Transparent blue plastic drawers

STORAGE

- 5 Drawers
- 1 Ice cube tray

CAPACITY

- 143 Litre total net capacity
- 145 Litre total gross capacity

INSTALLATION

- *Diagram [p.291]*

In-Column Larder Fridge



RiL891

PRODUCT CODE
RiL891

DIMENSIONS
↔ h:880mm

PERFORMANCE
e - Energy Class A+
- Energy consumption 120kWh/yr
- Max. noise level 41dB[A]

FINISH AVAILABLE
○ White

FEATURES
- Matches RiF89 freezer
- Mechanically controlled
- Auto defrost
- Adjustable thermostat
- Interior light
- Sliding door installation
- Reversible door

DESIGN
- Deluxe steel trimmed interior
- Transparent blue plastic drawer and compartments

STORAGE
- 3 Removable glass shelves
- 1 Glass crisper cover shelf
- 1 Salad crisper
- 3 Plastic door storage compartments
- 1 Egg tray

CAPACITY
- 142 Litre total net capacity
- 144 Litre total gross capacity

OPTIONAL EXTRAS
- Chrome wine rack that holds 4 750ml wine bottles CAPWINERK/CH [p.204]

Visit caple.co.uk for full range

INSTALLATION
- Diagram [p.291]

In-Column Freezer



RiF89

PRODUCT CODE
RiF89

DIMENSIONS
↔ h:880mm

PERFORMANCE
e - Energy Class A+
- Energy consumption 186kWh/yr
- Max. noise level 39dB[A]
- 4.5kg/24hrs freezing capacity

FINISH AVAILABLE
○ White

FEATURES
- Matches RiL891 larder fridge
- Super freeze function
- Mechanically controlled
- 4 Star
- Manual defrost
- Adjustable thermostat
- 100% CFC/HFC free
- Sliding door installation
- Reversible door

DESIGN
- Transparent blue plastic drawers

STORAGE
- 4 Drawers
- 1 Ice cube tray

CAPACITY
- 85 Litre total net capacity
- 93 Litre total gross capacity

INSTALLATION
- Diagram [p.291]

Built-Under Larder Fridge



RBL3

PRODUCT CODE

RBL3

PERFORMANCE

- e** - Energy Class A+
- Energy consumption 116kWh/yr
- Max. noise level 41dB[A]

FINISH AVAILABLE

- White

FEATURES

- Matches RBF3 freezer
- Mechanically controlled
- Auto defrost
- Adjustable thermostat
- 100% CFC/HFC free
- Fixed door installation
- Reversible door
- Interior light

DESIGN

- Transparent blue plastic drawers and compartments

STORAGE

- 2 Adjustable glass shelves
- 1 Glass crisper cover shelf
- 2 Salad crispers
- 2 Plastic door storage compartments
- 1 Egg tray

CAPACITY

- 140 Litre total net capacity
- 142 Litre total gross capacity

INSTALLATION

- *Diagram [p.292]*

Built-Under Freezer



RBF3

PRODUCT CODE

RBF3

PERFORMANCE

- e** - Energy Class A+
- Energy consumption 182kWh/yr
- Max. noise level 41dB[A]
- 4.5kg/24hrs freezing capacity

FINISH AVAILABLE

- White

FEATURES

- Matches RBL3 larder fridge
- Super freeze function
- Electronically controlled
- 4 Star
- Manual defrost
- Adjustable thermostat
- Temperature alarm
- 100% CFC/HFC free
- Reversible door
- Fixed door installation

DESIGN

- Transparent blue plastic drawers

STORAGE

- 3 Drawers
- 1 Ice cube tray

CAPACITY

- 100 Litre total net capacity
- 102 Litre total gross capacity

INSTALLATION

- *Diagram [p.292]*

Built-Under Larder Fridge with Ice Box



RBR5

PRODUCT CODE

RBR5

PERFORMANCE

- e** - Energy Class A+
- Energy consumption 175kWh/yr
- Max. noise level 41dB[A]
- 2kg/24hrs freezing capacity

FINISH AVAILABLE

- White

FEATURES

- Matches RBF3 freezer
- Mechanically controlled
- 100% CFC/HFC free
- Fixed door installation
- Reversible door

Fridge

- Auto defrost
- Adjustable thermostat
- Interior light

Ice Box

- 4 Star
- Manual defrost

DESIGN

- Transparent blue plastic drawers and compartments

STORAGE

- 1 Glass shelf
- 1 Glass crisper cover shelf
- 2 Salad crispers
- 2 Plastic door storage compartments
- 1 Egg tray
- 1 Ice cube tray

CAPACITY

- 117 Litre total net capacity
- 118 Litre total gross capacity
- 100 Litre fridge net capacity
- 17 Litre ice box net capacity

INSTALLATION

- *Diagram [p.292]*

COOLING

216

217

INTEGRATED REFRIGERATION





WINE CABINETS

Caple's wine cabinets create the optimum storage conditions for your wine; the correct temperature, humidity and air circulation. They even use low vibration technology to minimise disturbance. And of course, they look great.





PERFECTION BY THE GLASS

If you've invested a lot of time and money in your wine, you'll also want the perfect place to store it too. As all wines react to their environment a Caple wine cabinet is a must-have for anyone who wants to enjoy the full aroma and flavour of a good bottle of wine.

We know how important a fine wine collection is, which is why our wine cabinets are specifically designed to keep it in perfect condition.

The kitchen is often at the heart of a good party. So choose a wine cabinet that's stylish, versatile and designed for the serious entertainer.

Caple's wine cabinets cater for every kind of occasion, big or small. They're packed with functionality and there's no better way of having perfectly chilled drinks to hand whenever you want them.

Some of our wine cabinets are also very flexible. If you need space for cooling other drinks such as bottled beers and canned soft drinks you can simply convert the interior by easily adding an optional frosted glass shelf. Once fitted other drinks can be stored, freeing up space in your fridge.

COOLING

220

221

WINE CABINETS

IMPORTANT THINGS TO CONSIDER

THE RIGHT TEMPERATURE

To store

All wine should be stored at 12°-14°C whether red or white. Our cabinets simulate cellar conditions - dark, still, humid and a constant temperature.

To serve

For rosés and whites it's 8°-14°C, for sparkling wines it's 6°-10°C. Full reds need 16°-18°C, where as lighter ones are best at 13°-16°C.

For some wine cabinets this temperature variation is a problem. However, Caple cabinets can offer multiple zones that keep all your wines at the perfect temperature for storing or better still, serving.

COMPRESSOR COOLING

When choosing a wine cabinet it's important to consider the type of cooling system it uses. Many conventional cabinets use thermo electric technology, which is only capable of cooling to 15°C below the room's ambient temperature. So on a warm day of 25°C the contents will only cool to a minimum of 10°C, leaving your wine exposed to potentially damaging temperatures.

Caple's wine cabinets use a compressor cooling system, which maintains precisely the right temperature, regardless of the ambient room temperature. We've even compacted this state-of-the-art technology to fit in our slender 15cm wide model.



FINER WINE

Vibration and humidity during storage will influence how your wine will taste when it's finally poured. That's why Caple's wine cabinets come with anti-vibration gaskets and low vibration compressors to prevent disturbance to the wine's sediment balance. Our cabinets also create an ideal atmosphere of above 65% humidity, to preserve cork quality and prevent mould and odours. You can be confident your wine is in good hands.



THE IMPORTANCE OF LIGHTING AND STACKING

Ultraviolet light causes lightstrike, which makes wine age prematurely. So it's important to avoid exposing bottles to sunlight or fluorescent light. Our white LED not only looks great, but it's also UV-free and there's no heat output either.

Bottles should always be stored on their side so the wine stays in contact with the cork. This keeps the cork moist and ensures a good air seal for the bottle, which prevents oxidation and immediate ageing. Wine benefits best from side storage if the level of the wine reaches at least the upper shoulder of the bottle when upright. Caple's wine cabinets provide sufficient shelves to allow for bottles to be stored either on a single level for easy reach, or stacked for longer storage.

COOLING

222

223

WINE CABINETS



SENSE WINE CABINETS

Stylish on the outside, intelligent on the inside, our Sense range of wine cabinets have everything you need for the party season.

The stylish black or white glass and stainless steel co-ordinate seamlessly with your kitchen. The glass is also UV-proof to keep your wine or other drinks safe from sunlight.

Caple engineers have designed Sense wine cabinets to function almost silently, from just 43dB[A] – about the same as an average fridge. There's no chance of them ruining the party atmosphere.

KITCHEN PLINTH

Stylish, stainless steel, plinth grilles can be used with any Sense undercounter wine cabinets. They neatly cover the ventilation hole in the plinth and blend in with your kitchen décor. Supplied with all undercounter models except Wi154. [1]

DARK WOODEN SHELVES

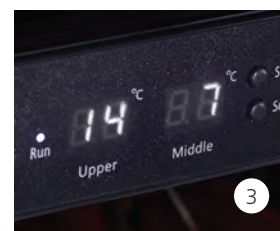
The easy-slide dark wooden shelves are non-scratch so they won't damage bottle labels. Their slatted design secures bottles in position and lets you overlap them for maximum capacity. [2] Included with all Sense models, except Wi154.

A COOL 5°C

Selected Sense wine cabinets have a temperature range of 5°C-18°C, ideal, of course, for keeping wine at the correct temperature. When set at 5°C it is also perfect for chilling beers and soft drinks. [3]

GLASS SHELVES

The three pack of glass shelves allows you to convert some of your wine cabinet into storage for canned drinks rather than just wine bottles. [4]



COOLING

224

225

WINE CABINETS



CLASSIC WINE CABINETS

With precision-crafted stainless steel, tinted and toughened clear glass and quality wooden shelves, a Classic wine cabinet is a welcome guest at any party.

Available in a variety of sizes with a choice of single or dual temperature zones these cabinets are whisper quiet from just 43dB[A].

Choose from freestanding or undercounter models, which ever suits your needs best, and for greater flexibility some come with reversible and lockable doors. When it comes to installation the cabinets can be kept anywhere in the house that has a power point, and is weatherproof.

LED DISPLAY

Shows current and set temperature within the wine cabinet. [1]

HUMIDITY WATER TANK

This is positioned on the top shelf of each zone and can be used to increase humidity if required.

STAINLESS STEEL FRONTED BEECH SHELVES

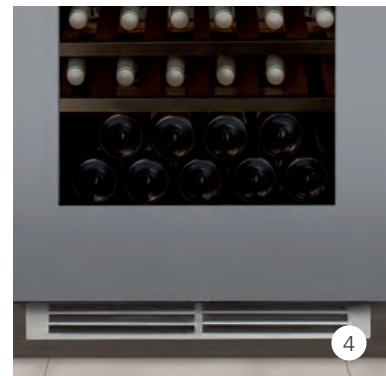
The easy-slide beech wooden shelves are non-scratch so they won't damage bottle labels. Their slatted design secures bottles in position, and lets you overlap them for maximum capacity. [2]

CHOICE OF PLINTH

Apart from the Wi155, all the undercounter wine cabinets come with both a stainless steel adjustable plinth grille [3] and a stainless steel recessed plinth grille. [4]

GRAB A BOTTLE

Some of our freestanding wine cabinets have pull-out shelves on telescopic rails. Others also have display shelves at just the right angle, making it easy to find the bottle you're after.



FLEXIBLE FITTING

A unique design feature incorporated into most of our undercounter wine cabinets allows the height of the plinth to be adjusted between 100mm and 150mm. So, you don't have to worry about your wine cabinet fitting under your work surface, meaning they are compatible with other European kitchen furniture.

[Not available on the Wi154 and Wi155].



This image illustrates Caple's Wi3121 wine cabinet - see the reduced height plinth on the right.

Sense and Classic Undercounter Dual Zone Wine Cabinets



Wi6229



Wi6230

PRODUCT CODE

Black Glass Wi6229
Stainless Steel Wi6230

DIMENSIONS

← w:595mm

PERFORMANCE

- e - Energy Class B
- Energy consumption 195kWh/yr
- Ambient temperature 16°C-32°C
- Temperature range 5°C-18°C [both zones]
- Humidity range >65%RH
- Quiet operation 43dB[A]

FINISH AVAILABLE

- Black Glass
- Stainless Steel

GENERAL FEATURES

- No-frost compressor cooling technology maintains a consistent temperature
- Dual side-by-side temperature zones, independently controlled [both zones suitable for either red or white wine]
- Electronic temperature control and LED display
- Converts into a can chiller using optional glass shelving
- UV/heat-free white LED lighting [switchable]
- 100% CFC/HFC free
- Vibration free
- Fan circulated cool air for even temperature distribution
- 5 Sliding shelves and 1 base shelf per zone
- Toughened UV protected glass door
- 2 Humidity control water tanks
- Black cabinet interior and exterior
- Adjustable height to fit 100-150mm plinth
- Recessed for fitting furniture plinth
- Air ventilation through plinth grille

Wi6229 UNIQUE

FEATURES

- Black glass doors with gloss black door frame
- Stainless steel, black-spot feature bar handles
- Dark wooden shelves
- Supplied with stainless steel universal plinth grille w:525mm

Wi6230 UNIQUE

FEATURES

- One piece stainless steel doors
- Curved stainless steel handles
- Stainless steel fronted beech shelves
- Supplied with both stainless steel universal plinth grille w:525mm and full width grille

CAPACITY

- 4.20 Cu ft/119 Litre total net capacity
- 4.73 Cu ft/134 Litre total gross capacity
- Stores max. 38 Bordeaux style wine bottles 750ml [19 bottles per zone]

OPTIONAL EXTRAS

- 3 Frosted glass shelves with black plastic trim [GSHELFPACK/300]
- Full height stainless steel grille with fixing brackets [GRILL/CLASS601]
- Visit caple.co.uk for full range

INSTALLATION

- *Diagram [p.292]*

Sense and Classic Undercounter Dual Zone Wine Cabinets



Wi6130



Wi6129



Wi6132WH

PRODUCT CODE

Black Glass Wi6130
Stainless Steel Wi6129
White Glass Wi6132WH

- Recessed for fitting furniture plinth
- Air ventilation through plinth grille

DIMENSIONS

← w:595mm

PERFORMANCE

- ⓔ - Energy Class B
- Energy consumption 198kWh/yr
- Ambient temperature 16°C-32°C
- Temperature range upper white zone 5°C-10°C, lower red zone 10°C-18°C
- Humidity range >65%RH
- Quiet operation 43dB[A]

Wi6130 UNIQUE FEATURES

- Black glass door with gloss black door frame
- Stainless steel, black-spot feature bar handle
- Dark wooden shelves
- Supplied with stainless steel universal plinth grille w:525mm

Wi6129 UNIQUE FEATURES

- One piece stainless steel door
- Curved stainless steel handle
- Stainless steel fronted beech shelves
- Supplied with both stainless steel universal plinth grille w:525mm and full width grille

FINISH AVAILABLE

- Black Glass
- Stainless Steel
- White Glass

GENERAL FEATURES

- No frost compressor cooling technology maintains a consistent temperature
- Dual stacked temperature zones, independently controlled [upper zone white wine, lower zone red wine]
- Electronic temperature control and LED display
- UV/heat-free white LED lighting [switchable]
- 100% CFC/HFC free
- Vibration free
- Fan circulated cool air for even temperature distribution
- Heater raises internal temperature when external temperature drops
- Reversible door
- White wine zone has 2 sliding shelves
- Red wine zone has 3 sliding shelves and 1 base shelf
- Toughened UV protected glass door
- 2 Humidity control water tanks
- Black cabinet interior and exterior
- Adjustable height to fit 100-150mm plinth

Wi6132WH UNIQUE FEATURES

- White glass door with white door frame
- Stainless steel, black-spot feature bar handle
- Stainless steel fronted beech shelves
- Supplied with stainless steel universal plinth grille w:525mm

CAPACITY

- 4.73 Cu Ft/134 Litre total net capacity
- 5.79 Cu ft/164 Litre total gross capacity
- Stores max. 46 Bordeaux style wine bottles 750ml [16 white and 30 red bottles]

OPTIONAL EXTRAS

- Full height stainless steel grille with fixing brackets [GRILL/CLASS601] for Wi6130 and Wi6132WH
- Visit cable.co.uk for full range

INSTALLATION

- *Diagram [p.292]*

Sense and Classic Undercounter Single Zone Wine Cabinets



Wi6121



Wi6118

PRODUCT CODE

Black Glass Wi6121
Stainless Steel Wi6118

DIMENSIONS

← w:595mm

PERFORMANCE

ⓔ Wi6121
Energy Class A
Energy consumption 145kWh/yr
Ambient temperature 16°C-32°C
Temperature range 5°C-18°C
Humidity range >65%RH
Quiet operation 43dB[A]

Wi6118
Energy Class B
Energy consumption 186kWh/yr
Ambient temperature 16°C-32°C
Temperature range 5°C-18°C
Humidity range >65%RH
Quiet operation 44dB[A]

FINISH AVAILABLE

● Black Glass
● Stainless Steel

GENERAL FEATURES

- No-frost compressor cooling technology maintains a consistent temperature
- Single temperature zone stores either red or white wine
- Electronic temperature control and LED display
- Converts into a can chiller using optional glass shelving
- UV/heat-free white LED lighting [switchable]
- 100% CFC/HFC free
- Vibration free
- Fan circulated cool air for even temperature distribution
- Reversible door
- 5 Sliding shelves and 1 base shelf
- Toughened UV protected glass door
- 1 Humidity control water tank
- Black cabinet interior and exterior
- Adjustable height to fit 100-150mm plinth
- Recessed for fitting furniture plinth
- Air ventilation through plinth grille

Wi6121 UNIQUE FEATURES

- Black glass door with gloss black door frame
- Stainless steel, black-spot feature bar handle
- Dark wooden shelves
- Supplied with stainless steel universal plinth grille w:525mm

Wi6118 UNIQUE FEATURES

- One piece stainless steel door
- Curved stainless steel handle
- Stainless steel fronted beech shelves
- Supplied with both stainless steel universal plinth grille w:525mm and full width grille

CAPACITY

- 5.15 Cu Ft/146 Litre total net capacity
- 5.79 Cu ft/164 Litre total gross capacity
- Stores max. 46 Bordeaux style wine bottles 750ml [8 bottles per sliding shelf, 6 bottles per base shelf]

OPTIONAL EXTRAS

- 3 Frosted glass shelves with black plastic trim [GSHELFPACK/600]
 - Full height stainless steel grille with fixing brackets for Wi6121 [GRILL/CLASS601]
- Visit cuple.co.uk for full range

INSTALLATION

- *Diagram [p.292]*

COOLING

230

231

WINE CABINETS

Sense and Classic Undercounter Single Zone Wine Cabinets



Wi3122



Wi3121



Wi3122WH

PRODUCT CODE

Black Glass Wi3122
Stainless Steel Wi3121
White Glass Wi3122WH

DIMENSIONS

↔ w:295mm

PERFORMANCE

- ⓔ - Energy Class B
- Energy consumption 190kWh/yr
- Ambient temperature 16°C-32°C
- Temperature range 5°C-18°C for
- Humidity range >65%RH
- Quiet operation 43dB[A]

FINISH AVAILABLE

- Black Glass
- Stainless Steel
- White Glass

GENERAL FEATURES

- No-frost compressor cooling technology maintains a consistent temperature
- Single temperature zone stores either red or white wine
- Electronic temperature control and LED display
- Converts into a can chiller using optional glass shelving
- UV/heat-free white LED lighting [switchable]
- 100% CFC/HFC free
- Vibration free
- Fan circulated cool air for even temperature distribution
- Reversible door
- 5 Sliding shelves and 1 base shelf
- Toughened UV protected glass door
- 1 Humidity control water tank
- Black cabinet interior and exterior
- Adjustable height to fit 100-150mm plinth
- Recessed for fitting furniture plinth
- Air ventilation through plinth grille

Wi3122 UNIQUE

FEATURES

- Black glass door with gloss black door frame
- Stainless steel, black-spot feature bar handle
- Dark wooden shelves
- Supplied with stainless steel universal plinth grille w:230mm

Wi3121 UNIQUE

FEATURES

- One piece stainless steel door
- Curved stainless steel handle
- Stainless steel fronted beech shelves
- Supplied with both stainless steel universal plinth grille w:230mm and full width grille

Wi3122WH UNIQUE

FEATURES

- White glass door with gloss white door frame
- Stainless steel, black-spot feature bar handle
- Stainless steel fronted beech shelves
- Supplied with stainless steel universal plinth grille w:230mm only

CAPACITY

- 2.12 Cu Ft/60 Litre total net capacity
- 2.33 Cu ft/66 Litre total gross capacity
- Stores max. 19 Bordeaux style wine bottles 750ml

OPTIONAL EXTRAS

- 3 Frosted glass shelves with black plastic trim [GSHELFPACK/300]
 - Full height stainless steel grille with fixing brackets [GRILL/CLASS301] for Wi3122 and Wi3122WH
- Visit caple.co.uk for full range

INSTALLATION

- *Diagram [p.293]*

Sense and Classic Undercounter Single Zone Wine Cabinets



Wi154



Wi155

PRODUCT CODE

Black Glass Wi154
Stainless Steel Wi155

DIMENSIONS

← w:145mm

PERFORMANCE

- e** - Energy Class B
- Energy consumption 185kWh/yr
- Ambient temperature 16°C-32°C
- Temperature range 5°C-18°C
- Humidity range >65%RH
- Quiet operation 44dB[A]

FINISH AVAILABLE

- Black Glass
- Stainless Steel

GENERAL FEATURES

- No-frost compressor cooling technology maintains a consistent temperature
- Single temperature zone stores either red or white wine
- Electronic temperature control and LED display
- UV/heat-free white LED lighting [switchable]
- 100% CFC/HFC free
- Vibration free
- Fan circulated cool air for even temperature distribution
- Reversible door
- 6 Black wire shelves and 1 base shelf
- Toughened UV protected glass door
- Black cabinet interior and exterior
- Air ventilation through plinth grille

Wi154 UNIQUE FEATURES

- Black glass door with gloss black door frame
- Stainless steel, black-spot feature bar handle

Wi155 UNIQUE FEATURES

- One piece stainless steel door
- Curved stainless steel handle

CAPACITY

- 0.67 Cu ft/19 Litre total net capacity
- 0.78 Cu ft/22 Litre total gross capacity
- Stores max. 7 Bordeaux style wine bottles 750ml
- Not suitable for some champagne bottles

INSTALLATION

- *Diagram [p.293]*

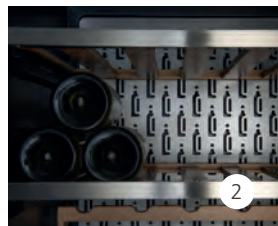
Classic In-Column Triple Zone Wine Cabinet



WC178



1



2



3

PRODUCT CODE

WC178

DIMENSIONS

h:1788mm

PERFORMANCE

- Energy Class F
- Energy consumption 398kWh/yr
- Ambient temperature 16°C-32°C
- Temperature range upper zone 5°C-18°C, middle zone 5°C-10°C, lower zone 10°C-18°C
- Humidity range >65%RH
- Quiet operation 45dB[A]

FINISH AVAILABLE

- Stainless Steel

KEY FEATURES

- No-frost compressor cooling technology maintains a consistent temperature
- Triple stacked temperature zones for red or white wine, independently controlled
- Electronic temperature control and LED display
- UV/heat-free white LED lighting [switchable]
- 100% CFC/HFC free
- Vibration free
- Fan circulated cool air for even temperature distribution
- 2 Heaters raise internal temperature when external temperature drops
- Reversible door
- Double stacked shelves [2]
- Upper zone has 2 sliding shelves and 1 display shelf
- Middle zone has 3 sliding shelves and 1 display shelf
- Lower zone has 3 sliding shelves and 1 base shelf
- Toughened UV protected glass door
- 3 Humidity control water tanks

- High temperature alarm
- Supplied with stainless steel universal plinth grille w:525mm
- Air ventilation through plinth grille

DESIGN

- One piece stainless steel door
- Curved stainless steel handle
- Stainless steel fronted telescopic beech shelves [3]
- Black cabinet interior and stainless steel back panel [1]

CAPACITY

- 8.69 Cu ft/246 Litre total net capacity
- 10.14 Cu ft/287 Litre total gross capacity
- Stores max. 89 Bordeaux style wine bottles 750ml [29 bottles on upper zone, 25 bottles on middle zone and 35 bottles on lower zone]

OPTIONAL EXTRAS

- Stainless steel furniture door which can be used with Caple refrigeration models RiL179, RiR179 and RiF179
 - Dimensions: 1788 x 595 x 20mm [SSDOOR177]
 - Curved stainless steel handle to match WC178 [HANDLE4]
- Visit caple.co.uk for full range

INSTALLATION

- *Diagram [p.294]*



COOLING

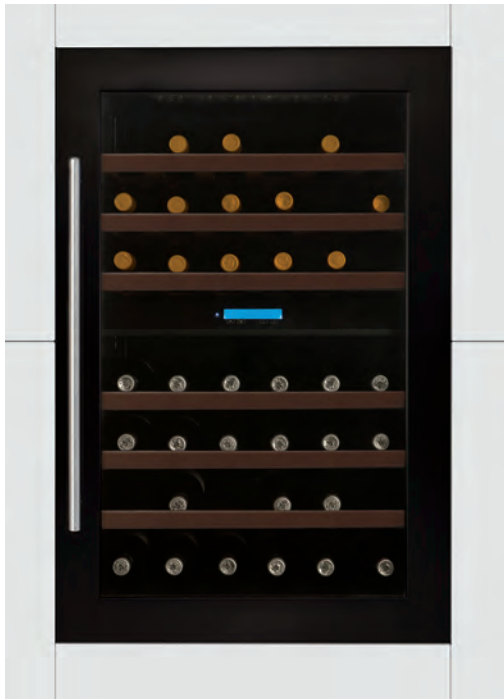
234

235

WINE CABINETS



Sense and Classic In-Column Dual Zone Wine Cabinets



WC6216

PRODUCT CODE

Black Glass WC6216
Stainless Steel WC6215

DIMENSIONS

↔ h:885mm

PERFORMANCE

- Energy Class B
- Energy consumption 196kWh/yr
- Ambient temperature 16°C-32°C
- Temperature range upper white zone 5°C-10°C, lower red zone 10°C-18°C
- Humidity range >65%RH
- Quiet operation 45dB[A]

FINISH AVAILABLE

- Black Glass
- Stainless Steel

GENERAL FEATURES

- No-frost compressor cooling technology maintains a consistent temperature
- Dual stacked temperature zones, independently controlled [upper zone white wine, lower zone red wine]
- Electronic temperature control and LED display
- UV/heat-free white LED lighting [switchable]
- 100% CFC/HFC free
- Vibration free
- Fan circulated cool air for even temperature distribution
- Heater raises internal temperature when external temperature drops
- Reversible door
- White wine zone has 3 sliding shelves
- Red wine zone has 3 sliding shelves and 1 sliding base shelf
- Toughened UV protected glass door
- 2 Humidity control water tanks
- Black cabinet interior and exterior
- Audible door alarm when left open



WC6215

WC6216 UNIQUE FEATURES

- Black glass door with gloss black door frame
- Stainless steel, black-spot feature bar handle
- Dark wooden shelves

WC6215 UNIQUE FEATURES

- One piece stainless steel doors
- Curved stainless steel handle
- Stainless steel fronted beech shelves

CAPACITY

- 4.13 Cu ft/117.1 Litre total net capacity
- 4.94 Cu ft/140.1 Litre total gross capacity
- Stores max. 42 Bordeaux style wine bottles 750ml [18 white bottles on upper zone, and 24 red bottles on lower zone]

INSTALLATION

- *Diagram [p.294]*

Classic In-Column Single Zone Wine Cabinet



WC6117

PRODUCT CODE

WC6117

DIMENSIONS

↔ h:885mm

PERFORMANCE

- e** - Energy Class A
- Energy consumption 146kWh/yr
- Temperature range 5°C-18°C
- Ambient temperature 16°C-32°C
- Humidity range >65%RH
- Quiet operation 45dB[A]

FINISH AVAILABLE

● Stainless Steel

FEATURES

- No- frost compressor cooling technology maintains a consistent temperature
- Single temperature zone for red or white wine
- Electronic temperature control and LCD display
- UV/heat-free white LED lighting [switchable]
- 100% CFC/HFC free

- Vibration free
- Fan circulated cool air for even temperature distribution
- Reversible door
- 7 Sliding shelves and 1 base shelf
- Toughened UV protected glass door
- 1 Humidity control water tank
- Audible door alarm when left open

DESIGN

- One piece stainless steel door
- Curved stainless steel handle
- Stainless steel fronted beech shelves
- Black cabinet interior and exterior

CAPACITY

- 4.38 Cu ft/124 Litre total net capacity
- 5.41 Cu ft/153 Litre total gross capacity
- Stores max. 46 Bordeaux style wine bottles 750ml

INSTALLATION

- *Diagram [p.294]*

Sense Premium In-Column Wine Cabinet



WC470

PRODUCT CODE

SP WC470

DIMENSIONS

↔ h:455mm

PERFORMANCE

- e** - Energy Class C
- Temperature range 5°C-22°C
- Ambient temperature 10°C-35°C
- Quiet operation 44dB

FINISH AVAILABLE

● Stainless Steel

FEATURES

- No-frost compressor cooling technology maintains a consistent temperature
- Digital temperature display
- Touch control
- UV/heat-free internal blue LED lighting [switchable]
- Side-opening door [right hand opening]

- 3 Wooden telescopic shelves, one base shelf
- Toughened UV protected glass door
- Child safety lock

DESIGN

- Stainless steel, black spot feature bar handle
- Removable light wood shelves
- Black interior

CAPACITY

- 1.76 Cu ft/50 Litre total net capacity
- 1.84 Cu ft/52 Litre total net capacity
- Stores max. 24 Bordeaux style wine bottles 750ml

INSTALLATION

- *Diagram [p.294]*

Sense and Classic In-Column Single Zone Wine Cabinets



WC6114

PRODUCT CODE

Black Glass WC6114
Stainless Steel WC6113

DIMENSIONS

↔ h:455mm

PERFORMANCE

- Ⓧ - Energy Class A
- Energy consumption 139kWh/yr
- Ambient temperature 16°C-32°C
- Temperature range 5°C-18°C
- Humidity range >65%RH
- Quiet operation 43dB[A]

FINISH AVAILABLE

- Black Glass
- Stainless Steel

GENERAL FEATURES

- No-frost compressor cooling technology maintains a consistent temperature
- Single temperature zone for red or white wine
- Electronic temperature control and LCD display
- UV/heat-free white LED lighting [switchable]
- 100% CFC/HFC free
- Vibration free
- Fan circulated cool air for even temperature distribution
- Reversible door
- 3 Sliding shelves and 1 base shelf
- Toughened UV protected glass door
- 1 Humidity control water tank
- Audible door alarm when left open
- Black cabinet interior and exterior



WC6113

WC6114 UNIQUE FEATURES

- Black glass door with gloss black door frame
- Stainless steel, black-spot feature bar handle
- Dark wooden shelves

WC6113 UNIQUE FEATURES

- One piece stainless steel door
- Curved stainless steel handle
- Stainless steel fronted beech shelves

CAPACITY

- 1.91 Cu ft/54 Litre total net capacity
- 2.08 Cu ft/59 Litre total gross capacity
- Stores max. 22 Bordeaux style wine bottles 750ml

INSTALLATION

- Diagram [p.294]

Sense Freestanding Triple Zone Wine Cabinet



WF1549

PRODUCT CODE
WF1549

DIMENSIONS

↔ h:1762mm

PERFORMANCE

- Energy Class C
- Energy consumption 290kWh/yr
- Ambient temperature 16°C-32°C
- Temperature range upper zone 5°C-18°C, middle zone 5°C-12°C, lower zone 12°C-18°C
- Humidity range >65%RH
- Quiet operation 45dB[A]

FINISH AVAILABLE
● Black Glass

FEATURES

- No-frost compressor cooling technology maintains a consistent temperature
- Triple stacked temperature zones for red, white or sparkling wine, independently controlled
- Electronic temperature control and LED display
- UV/heat-free white LED lighting [switchable]
- 100% CFC/HFC free
- Vibration free
- Fan circulated cool air for even temperature distribution
- 2 Heaters raise internal temperature when external temperature drops
- Reversible door

- Upper zone has 1 sliding shelf and 1 display shelf
- Middle zone has 2 sliding shelves and 1 display shelf
- Lower zone has 3 sliding shelves and 1 base shelf
- Toughened UV protected glass door
- 3 Humidity control water tanks
- Door lock
- Air ventilation through plinth grille

DESIGN

- Black glass door with gloss black door frame
- Stainless steel, black-spot feature bar handle
- Telescopic dark wooden shelves
- Black cabinet interior and exterior

CAPACITY

- 14.23 Cu ft/404 Litre total net capacity
- 15.86 Cu ft/449 Litre total gross capacity
- Stores max. 132 Bordeaux style wine bottles 750ml [43 bottles on upper zone, 45 bottles on middle zone and 44 bottles on lower zone]

INSTALLATION

- *Diagram [p.295]*

COOLING

238

239

WINE CABINETS

Classic Freestanding Triple Zone Wine Cabinet



WF1548

PRODUCT CODE

WF1548

DIMENSIONS

↳ h:1765mm

PERFORMANCE

- Energy Class C
- Energy consumption 290kWh/yr
- Ambient temperature 16°C-32°C
- Temperature range upper zone 5°C-18°C, middle zone 5°C-12°C, lower zone 12°C-18°C
- Humidity range >65%RH
- Quiet operation 45dB[A]

FINISH AVAILABLE

● Stainless Steel

FEATURES

- No-frost compressor cooling technology maintains a consistent temperature
- Triple stacked temperature zones for red or white wine, independently controlled
- Electronic temperature control and LED display
- UV/heat-free white LED lighting [switchable]
- 100% CFC/HFC free
- Vibration free
- Fan circulated cool air for even temperature distribution
- 2 Heaters raise internal temperature when external temperature drops
- Reversible door

- Upper zone has 1 sliding shelf and 1 display shelf
- Middle zone has 2 sliding shelves and 1 display shelf
- Lower zone has 3 sliding shelves and 1 base shelf
- Toughened UV protected glass door
- 3 Humidity control water tanks
- Door lock
- Air ventilation through stainless steel plinth grille

DESIGN

- One piece stainless steel door
- Stainless steel fronted telescopic beech shelves
- Curved stainless steel handle
- Black cabinet interior and exterior

CAPACITY

- 14.23 Cu ft/404 Litre total net capacity
- 15.86 Cu ft/449 Litre total gross capacity
- Stores max. 132 Bordeaux style wine bottles 750ml [43 bottles on upper zone, 45 bottles on middle zone and 44 bottles on lower zone]

INSTALLATION

- *Diagram [p.295]*

Classic Freestanding Single Zone Wine Cabinet



WF1544

PRODUCT CODE

WF1544

DIMENSIONS

↔ h:1765mm

PERFORMANCE

- Energy Class D
- Energy consumption 337kWh/yr
- Temperature range 5°C-18°C
- Ambient temperature 16°C-32°C
- Humidity range >65%RH
- Quiet operation 45dB[A]

FINISH AVAILABLE

● Stainless Steel

FEATURES

- No-frost compressor cooling technology maintains a consistent temperature
- Single temperature zone for red or white wine
- Electronic temperature control and LED display
- UV/heat-free white LED lighting [switchable]
- 100% CFC/HFC free
- Vibration free
- Fan circulated cool air for even temperature distribution
- Heater raises internal temperature when external temperature drops
- Reversible door
- 11 Sliding shelves, 1 display shelf and 1 base shelf
- Toughened UV protected glass door

- 1 Humidity control water tank
- Door lock
- Air ventilation through stainless steel plinth grille

DESIGN

- One piece stainless steel door
- Curved stainless steel handle
- Stainless steel fronted telescopic beech shelves
- Black cabinet interior and exterior

CAPACITY

- 15.04 Cu ft/426 Litre total net capacity
- 16.70 Cu ft/473 Litre total gross capacity
- Stores max. 155 Bordeaux style wine bottles 750ml

INSTALLATION
- *Diagram [p.295]*

COOLING

240

241

WINE CABINETS

Classic Freestanding Dual Zone Wine Cabinet



WF1104

PRODUCT CODE
WF1104

DIMENSIONS

↔ h:1395mm

PERFORMANCE

- Energy Class D
- Energy consumption 290kWh/yr
- Temperature range 5°C-18°C
- Ambient temperature 16°C-32°C
- Humidity range >65%RH
- Quiet operation 45dB[A]

FINISH AVAILABLE

● Stainless Steel

FEATURES

- No-frost compressor cooling technology maintains a consistent temperature
- Dual stacked temperature zones for red or white wine, independently controlled
- Electronic temperature control and LED display
- UV/heat-free white LED lighting [switchable]
- 100% CFC/HFC free
- Vibration free
- Fan circulated cool air for even temperature distribution
- 2 Heaters raise internal temperature when external temperature drops

- Upper zone has 2 sliding shelves and 1 display shelf
- Lower zone has 4 sliding shelves and 1 base shelf
- Toughened UV protected glass door
- 2 Humidity control water tanks
- Reversible door
- Door lock
- Air ventilation through stainless steel plinth grille

DESIGN

- One piece stainless steel door
- Curved stainless steel handle
- Stainless steel fronted telescopic beech shelves
- Black cabinet interior and exterior

CAPACITY

- 11.02 Cu ft/312 Litre total net capacity
- 12.18 Cu ft/345 Litre total gross capacity
- Stores max. 109 Bordeaux style wine bottles 750ml
- 31 in upper compartment
- 23 in display shelf, 55 in lower compartment [11 bottles per sliding or base shelf]

INSTALLATION

- *Diagram [p.295]*



Classic Freestanding Single Zone Wine Cabinet



WF333



COOLING

242

243

WINE CABINETS

PRODUCT CODE
WF333

DIMENSIONS

↔ h:840mm

PERFORMANCE

- Energy Class A
- Energy consumption 144kWh/yr
- Temperature range 5°C-18°C
- Ambient temperature 16°C-32°C
- Humidity range >65%RH
- Quiet operation 44dB[A]

FINISH AVAILABLE

- Stainless Steel

FEATURES

- No-frost compressor cooling technology maintains a consistent temperature
- Single temperature zone for red or white wine
- Electronic temperature control and LED display
- Interior light [1]
- 100% CFC/HFC free
- 3 Full shelves and 1 half shelf
- Toughened UV protected glass door
- 1 Humidity control water tank
- Reversible door
- Top and side heat dispersion

DESIGN

- One piece stainless steel door
- Curved stainless steel handle
- Stainless steel fronted telescopic beech shelves [2]
- Black cabinet interior and exterior

CAPACITY

- 4.39 Cu ft/124 Litre total net capacity
- 4.87 Cu ft/138 Litre total gross capacity
- Stores max. 39 Bordeaux style wine bottles 750ml [6 bottles on top shelf, 12 bottles double stacked on middle two shelves, and 9 bottles double stacked on the bottom shelf] [3]

INSTALLATION
- Diagram [p.295]

WASHING

- 248 Dishwashers
- 258 Washing Machines
- 260 Washer Dryers
- 262 Tumble Dryers





Cople

Cople

Programs
Economy 2:59



TAKING THE CHORE OUT OF WASHING

Who says that functional objects can't look fantastic? That's why we've designed our dishwasher and laundry appliances with an eagle eye on performance too. For a more discrete look they can also be tucked away behind furniture.

Caple is renowned for ultra stylish looks, hi-tech and all-round ease of use. With fast, efficient clothes washing and drying and sparkling clean dishes, our appliances will always get the job done beautifully with minimal effort.



WASH HOWEVER YOU WISH

Our range of washing appliances gives you all the options you need to fit in with your kitchen and your budget. What's on your wish list? An appliance that makes the most of minimal space? One that can cope with a large family? Or super stylish looks? We tick all your boxes.

Our dishwashers are exceptionally versatile, using clever technology to deal with any type of load. Our washing machines and washer dryers make light work of all your laundry needs with features like allergy care, stain reduction and extra large doors. What's more, Caple tumble dryers can be kept neatly behind furniture doors for a flawless finish.



DISHWASHERS

Our machines don't just leave your dishes sparkling, they also come with at least an 'A+' rating for energy and 'A' for wash and drying performance.



cuple

G P G

PERFORMANCE WITH SHINE

Whether it's a quick wash or something more heavy-duty, every Caple dishwasher is designed to perform well. The range includes several built-in models to tuck away behind your kitchen doors and two modern, stylish freestanding machines. All models are at least A+ energy rated, with the top of the range built-in model now an amazing A+++.



WATER CONSUMPTION

The entire range has low water consumption figures, which is not only great for the environment but your pocket also. The Auto Wash programme on the Di629 uses an astonishingly low 8.4 litres of water.



POWER WASH AND AUTO WASH

Exclusive to the Di629. Power Wash, when used with either intensive, normal, economy, glass and one hour express programmes, helps break through heavily soiled loads by increasing washing temperature and duration.

Auto wash on Di629 and Di477 have sensors checking the level of cleanliness of the load, saving you time, energy and water.

HIGH PROFILE STYLE AND FUNCTION

The Caple DF630 freestanding dishwasher is not only energy efficient with an 'A++' energy rating, it's also touch control. The mirrored finish control panel is stylish and easy to use. The curved top profile of the door contributes to the contemporary look.





ADJUSTABLE UPPER BASKET

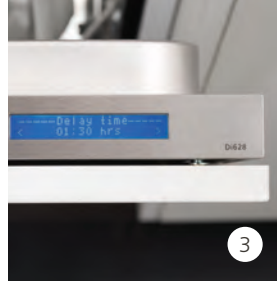
You can change the height of the upper basket [even with full loads] with the simple release of two conveniently placed levers. [1]

INTERNAL LED LIGHT

Activated when the door is opened, it illuminates the inside. [2]

REDUCE YOUR WATER AND ENERGY USAGE

The Half Load function on our models is ideally suited to small loads, unlike traditional Half Load programmes [which usually only use one basket] reducing energy and water use.



DELAY TIMER

Allows you to delay the start time for between 1-24 hours. [3]

ALTERNATIVE WASH

This is available on Di629, Di477 and DF630 allowing you to select either the upper or lower baskets for the load. You'll save water and energy with smaller loads.

AQUASTOP

Automatically cuts off the water at the first sign of a leak, helping to avoid costly water damage. [4]

FEATURES

Every Caple dishwasher is designed to perform well, whether it's just a quick wash or something more heavy duty.

FLEXIBLE CUTLERY TRAY

Models Di629, Di627 and Di477 feature clever cutlery trays that sit at the top of the dishwasher freeing up more space in the lower basket. On the 600mm models you can choose from five set-up options, [shown below] depending on what is in the basket below.



Fully Integrated Dishwasher



Di629

PRODUCT CODE

Di629

DIMENSIONS

↔ w:600mm

PERFORMANCE

- ⓔ - Energy Class A+++
- Wash Class A
- Drying performance A
- Max. noise level 45dB[A]
- Annual energy consumption 237kWh/yr
- Annual water consumption 2800 Litres
- Water consumption [auto] from 8.4 Litres

FINISH AVAILABLE

○ White

PROGRAMMES

- 8 Programmes
- *Auto/45-55°C
- *Normal/55°C
- *Intensive/65°C
- *Economy/50°C
- 90min express/60°C
- Glass/40°C
- Soak
- Rapid/45°C

*3-in-1 function for use with tablets containing salt and rinse-aid [*this function can only be used in combination with auto, normal, intensive and economy programmes]*

FUNCTIONS

- Express
- Extra drying
- Power wash
- Alternative wash
- Delayed timer 1-24hr

FEATURES

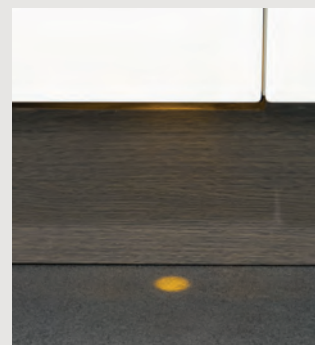
- 14 Place settings
- Max. plate diameter 30cm
- Stainless steel inner door and interior
- Stainless steel control panel with LCD display
- Programme status light
- Internal light
- Top cutlery tray
- Titanium grey baskets
- Cold water connection
- Hidden heating element
- Easy adjustable upper basket
- Easy clean filter system
- Electronic salt and rinse aid warning light
- 6 Level water softening system
- Water overflow protection system
- Aquastop

INSTALLATION

- Diagram [p.296]
- Voltage 230V
- Rated load 1.85kW
- Fuse rating 13A

FEATURES

Due to the whisper quiet nature of the Di629, this appliance has a convenient programme status light beam [shown below] projecting onto the floor during the cycle. This light turns off when complete.



Fully Integrated Dishwasher



Di627

PRODUCT CODE

Di627

DIMENSIONS

↔ w:600mm

PERFORMANCE

- ⓔ - Energy Class A++
- Wash Class A
- Drying performance A
- Max. noise level 49dB
- Annual energy consumption 266kWh/yr
- Annual water consumption 3080 Litres
- Water consumption [economy] 11 Litres

FINISH AVAILABLE

○ White

PROGRAMMES

- 6 Programmes
- *Normal/55°C
- *Intensive/65°C
- *Economy/45°C
- 90min express/60°C
- Glass/40°C
- Rapid/40°C

*3-in-1 function for use with tablets containing salt and rinse-aid [*this function can only be used in combination with normal, intensive and economy programmes]*

FUNCTIONS

- Delayed timer 1-24hr
- Half load

FEATURES

- 14 Place settings
- Max. plate diameter 30cm
- Stainless steel inner door and interior
- Silver control panel with electronic display
- Top cutlery tray
- Titanium grey baskets
- Cold water connection
- Hidden heating element
- Easy adjustable upper basket
- Easy clean filter system
- Electronic salt and rinse aid warning light
- 6 Level water softening system
- Water overflow protection system
- Aquastop

INSTALLATION

- Diagram [p.296]
- Voltage 230V
- Rated load 1.93kW
- Fuse rating 13A

Fully Integrated Dishwasher



Di625

PRODUCT CODE

Di625

DIMENSIONS

↔ w:600mm

PERFORMANCE

- ⓔ - Energy Class A+
- Wash Class A
- Drying performance A
- Max. noise level 52dB
- Annual energy consumption 290kWh/yr
- Annual water consumption 3360 Litres
- Water consumption [economy] 12 Litres

FINISH AVAILABLE

○ White

PROGRAMMES

- 5 Programmes
- Normal/55°C
- Intensive/65°C
- Economy/50°C
- 1 hour/60°C
- Rapid/40°C

FUNCTIONS

- Delay timer 3, 6 or 9hrs

FEATURES

- 12 Place settings
- Max. plate diameter 30cm
- Stainless steel inner door and interior
- Black gloss door top control panel
- Titanium grey baskets
- Salt and rinse aid warning light
- Cold water connection
- Hidden heating element
- Easy adjustable upper basket
- Easy clean filter system
- 6 Level water softening system
- Water overflow protection system

INSTALLATION

- Diagram [p.296]
- Voltage 230V
- Rated load 1.93kW
- Fuse rating 13A

Fully Integrated Dishwasher



Di477

PRODUCT CODE

Di477

DIMENSIONS

w:450mm

PERFORMANCE

- Energy Class A++
- Wash Class A
- Drying performance A
- Max. noise level 49dB
- Annual energy consumption 211kWh/yr
- Annual water consumption 2380 Litres
- Water consumption [economy] 8.5 Litres

FINISH AVAILABLE

White

PROGRAMMES

- Programmes
- *Auto/45-55°C
- *Normal/55°C
- *Intensive/65°C
- *Economy/50°C
- 1 Hour express/65°C
- Glass/40°C
- Rapid/40°C
- Soak

*3-in-1 function for use with tablets containing salt and rinse-aid [*this function can only be used in combination with auto, normal, intensive and economy programmes]*

FUNCTIONS

- Delayed timer 1-24hr
- Alternative wash
- Extra drying

FEATURES

- 10 Place settings
- Max. plate diameter 30cm
- Stainless steel inner door and interior
- Stainless steel control panel with LED display
- Internal light
- Top cutlery tray
- Titanium grey baskets
- Cold water connection
- Hidden heating element
- Easy adjustable upper basket
- Easy clean filter system
- Electronic salt and rinse aid warning light
- 6 Level water softening system
- Water overflow protection system
- Aquastop

INSTALLATION

- *Diagram [p.296]*
- Voltage 230V
- Rated load 1.93kW
- Fuse rating 13A

Fully Integrated Dishwasher



Di476

PRODUCT CODE

Di476

DIMENSIONS

w:450mm

PERFORMANCE

- Energy Class A+
- Wash Class A
- Drying performance A
- Max. noise level 52dB
- Annual energy consumption 222kWh/yr
- Annual water consumption 2520 Litres
- Water consumption [economy] 9 Litres

FINISH AVAILABLE

White

PROGRAMMES

- Programmes
- *Normal/55°C
- *Intensive/65°C
- *Economy/50°C
- 1 Hour express/60°C
- Rapid/40°C

*3-in-1 function for use with tablets containing salt and rinse-aid [*this function can only be used in combination with normal, intensive and economy programmes]*

FUNCTIONS

- Delayed timer 3, 6 or 9hrs

FEATURES

- 9 Place settings
- Max. plate diameter 30cm
- Stainless steel inner door and interior
- Black gloss door top control panel
- Titanium grey baskets
- Salt and rinse aid warning light
- Cold water connection
- Hidden heating element
- Easy adjustable upper basket
- Easy clean filter system
- 6 Level water softening system
- Water overflow protection system

INSTALLATION

- *Diagram [p.296]*
- Voltage 230V
- Rated load 1.93kW
- Fuse rating 13A

Freestanding Dishwasher



DF630

PRODUCT CODE

DF630

DIMENSIONS

↔ w:600mm

PERFORMANCE

- e** - Energy Class A++
- Wash Class A
- Drying performance A
- Max. noise level 49dB
- Annual energy consumption 266kWh/yr
- Annual water consumption 3080 Litres
- Water consumption [economy] 11 Litres

FINISH AVAILABLE

○ White

PROGRAMMES

- 7** Programmes
- *Normal/50°C
- *Intensive/65°C
- *Economy/50°C
- 1 hour express/62°C
- Glass/40°C
- Rapid/40°C
- Soak

*3-in-1 function for use with tablets containing salt and rinse-aid [*this function can only be used in combination with normal, intensive and economy programmes]*

FUNCTIONS

- Delayed timer 1-24hr
- Alternative wash

FEATURES

- 14 Place settings
- Max. plate diameter 30cm
- Stainless steel inner door and interior
- Mirrored touch control panel
- Electronic LED display
- Top cutlery tray
- Titanium grey baskets
- Electronic salt and rinse aid warning light
- Cold water connection
- Hidden heating element
- Easy adjustable upper basket
- Easy clean filter system
- 6 Level water softening system
- Water overflow protection system
- Aquastop

INSTALLATION

- Diagram [p.297]
- Voltage 230V
- Rated load 1.93kW
- Fuse rating 13A

Freestanding Dishwasher



DF610

PRODUCT CODE

DF610

DIMENSIONS

↔ w:600mm

PERFORMANCE

- e** - Energy Class A+
- Wash Class A
- Drying performance A
- Max. noise level 55dB
- Annual energy consumption 290kWh/yr
- Annual water consumption 3360 Litres
- Water consumption [economy] 12 Litres

FINISH AVAILABLE

○ White

PROGRAMMES

- 5** Programmes
- *Normal/55°C
- *Intensive/65°C
- *Economy/50°C
- 1 hour express/60°C
- Rapid/40°C

*3-in-1 function for use with tablets containing salt and rinse-aid [*this function can only be used in combination with normal, intensive and economy programmes]*

FUNCTIONS

- Half load

FEATURES

- 12 Place settings
- Max. plate diameter 30cm
- Stainless steel inner door and interior
- Electronic control panel
- Titanium grey baskets
- Electronic salt and rinse aid warning light
- Cold water connection
- Hidden heating element
- Easy adjustable upper basket
- Easy clean filter system
- 3 Level water softening system
- Water overflow protection system

INSTALLATION

- Diagram [p.297]
- Voltage 230V
- Rated load 1.93kW
- Fuse rating 13A



LAUNDRY

A reliable washing machine and tumble dryer is an absolute must for any family. We've taken things further, with a range that's packed with features, good looks and performance.



WASHING MACHINES

Choose from a selection of integrated machines that tuck neatly away. Whichever you opt for, you can be sure it will do the job in style. All our machines use the most advanced technology to make laundry day just that bit easier.

DIGITAL DISPLAY

Included on all models. Shows the programme phase, spin speed and any extra functions selected. [1]



DURABLE STAINLESS STEEL DRUM

For longevity, hygiene and garment care. The 1400rpm spin speed on some models means faster drying times. [2]



EXTRA LARGE DOORS

Makes loading and unloading much easier. [3]



Electronic Washing Machine



WMi2006

PRODUCT CODE

WMi2006

DIMENSIONS

↔ w:600mm

PERFORMANCE

- e** - Energy Class A+
- Wash Class A
- Spin efficiency A
- 1400rpm max. spin speed
- 9600 Litre annual water consumption
- Est. annual energy consumption 224kWh/yr
- Max. noise level wash 58dB, spin 76dB

FINISH AVAILABLE

○ White

PROGRAMMES

- 16** Programmes
- Cold wash
- Fast 30mins 30°C
- Quick 44mins 40°C
- Normal 30°C
- Normal 40°C
- Normal 60°C
- Cotton 90°C
- Mixed 30°C
- Mixed 40°C
- Mixed 50°C
- Wool 40°C
- Hand wash 30°C
- Eco 20°C
- Rinses
- Spin-drying
- Draining

5 Options

- Delay timer [up to 24hrs]
- Pause
- Cold wash
- Spin selection
- Allergy care

FEATURES

- Cold fill
- 30 minute fast wash
- Digital display
- 300mm extra large door
- Door safety lock
- Programme time remaining
- Variable spin speed
- Automatic variable load
- Stainless steel drum
- Anti-overflow protection
- Foam control

CAPACITY

- 7kg washing capacity

INSTALLATION

- *Diagram [p.297]*
- *Rated load 1.5kW*
- *Fuse rating 13A*

Electronic Washing Machine



WMi2003

PRODUCT CODE

WMi2003

DIMENSIONS

↔ w:600mm

PERFORMANCE

- e** - Energy Class A++
- Wash Class A
- Spin efficiency B
- 1200rpm max. spin speed
- 11003 Litre annual water consumption
- Est. annual energy consumption 166kWh/yr
- Max. noise level wash 57dB, spin 75dB

FINISH AVAILABLE

○ White

PROGRAMMES

- 11** Programmes
- Fast wash 15mins
- Mixed
- Cotton
- Synthetic
- Wool
- Delicate
- Underwear
- Pre-wash
- Rinses
- Spin-drying
- Self-clean

5 Options

- Delay timer
- Pause
- Intense
- Spin selection
- Extra rinse

FEATURES

- Cold fill
- 15mins fast wash
- Digital display
- 320mm extra large door
- Door safety lock
- Programme time remaining
- Variable spin speed
- Automatic variable load
- Stainless steel drum
- Anti-overflow protection

CAPACITY

- 6kg washing capacity

INSTALLATION

- *Diagram [p.297]*
- *Rated load 2.0kW*
- *Fuse rating 13A*

WASHER DRYERS

Our range of integrated washer dryers offer multiple programmes that are easy to operate, meeting all your laundry needs with minimal fuss.

ELECTRONIC CONTROLS

Included on all models, these simple controls mean you can change between options at the click of a button. [1]

DOOR SAFETY LOCK

Our machines operate at high temperatures during mid-cycle. The door will remain locked until the clothes cool 53°C. [2]



STAIN REDUCTION

Our models use advanced technology to maximise cleaning action, keeping your whites looking fresher for longer. [3]

ALLERGY CARE

Removes all detergent from fabric to minimise the risk of skin irritation. [4]

Electronic Condenser Washer Dryer



WDi2206

PRODUCT CODE

WDi2206

DIMENSIONS

↔ w:600mm

PERFORMANCE

- e** - Energy Class B
- Wash Class A
- Spin efficiency B
- 1200rpm max. spin speed
- 99 Litre water consumption [wash and dry cycle]
- Est. energy to wash and dry full load 5.65kWh
- Max. noise level wash 58dB, spin 77dB, dry 62dB

FINISH AVAILABLE

○ White

PROGRAMMES

- 20** Programmes
- Cold wash
- Quick 30°C
- Mixed 30°C
- Mixed 40°C
- Mixed 60°C
- Cotton 30°C
- Cotton 40°C
- Cotton 60°C
- Cotton 90°C
- Hand-wash 30°C
- Delicate 40°C
- 'A' wash 60°C
- Economy 'AA' wash 40°C
- Eco 20°C

- Rinses
- Spin-drying
- Draining
- Extra dry
- Cupboard dry
- Iron dry

7 Options

- Delay timer [3, 6 or 9hrs]
- Pause
- Easy iron
- Spin selection
- Temperature selection
- Stain reduction
- Allergy care

FEATURES

- Final cool down tumble
- Cold fill
- 30 Minute quick wash
- LED information panel
- Electronic soft touch controls
- Pause function
- 300mm extra large door
- Door safety lock
- Programme time remaining
- Variable spin speed
- Automatic variable load
- Stainless steel drum
- Anti-overflow protection
- Anti-flood safety device
- Foam control

CAPACITY

- 7kg washing, 5kg drying capacity

INSTALLATION

- Diagram [p.297]
- Rated load 1.5kW
- Fuse rating 13A

Electronic Condenser Washer Dryer



WDi2203

PRODUCT CODE

WDi2203

DIMENSIONS

↔ w:600mm

PERFORMANCE

- e** - Energy Class B
- Wash Class A
- Spin efficiency B
- 1200rpm max. spin speed
- 98 Litre water consumption [wash and dry cycle]
- Est. energy to wash and dry full load 4.84kWh
- Max. noise level wash 58dB, spin 72dB, dry 57dB

FINISH AVAILABLE

○ White

PROGRAMMES

- 11** Programmes
- Fast wash 15mins
- Cotton
- Synthetic
- Wool
- Delicate
- Underwear
- Pre-wash
- Spin
- Refresh
- Dry
- Self-clean

7 Options

- Delay timer
- Pause
- Spin selection
- Temperature selection
- Intense
- Extra rinse
- Dry

FEATURES

- Final cool down tumble
- Cold fill
- 15 Minute fast wash
- Digital display
- Electronic controls
- 320mm extra large door
- Door safety lock
- Programme time remaining
- Variable spin speed
- Automatic variable load
- Stainless steel drum
- Anti-overflow protection
- Pause function

CAPACITY

- 6kg washing, 3kg drying capacity

INSTALLATION

- Diagram [p.297]
- Rated load 2.0kW
- Fuse rating 13A

TUMBLE DRYERS

Caple tumble dryers use state-of-the-art technology to make every task effortless.

The TDi111 and TDi101 fully integrated tumble dryers offer two heat settings and a venting system for the best possible performance. The TDi111 also has sensors in the drum that constantly check moisture levels, so the machine only stops when clothes are completely dry. Other handy features include a reverse tumble action, six levels of dryness and an easy-access fluff filter.



Fully Integrated Sensor Vented Tumble Dryer



TDi111

PRODUCT CODE

TDi111

DIMENSIONS

↔ w:600mm

PERFORMANCE

- e** - Energy Class C
- Est. annual energy consumption 519kWh/yr
- Average energy by cycle 4.39kWh
- Max. noise level 62dB

FINISH AVAILABLE

White

FEATURES

- 6** Sensor drying levels
- Extra dry
- Cupboard dry
- Mid dry
- Extra iron dry
- Iron dry
- Damp dry

FEATURES

- Vented drying
- 2 Heat settings
- 30 minute timed drying with heat
- 30 minute refresh
- Reverse tumble action
- Final cool down tumble
- Easy access fluff filter
- Rear vented only
- Integral extendable 2.4m hose and wall outlet
- Left or right door hinge
- Adjustable legs

CAPACITY

- 7kg drying capacity

INSTALLATION

- Diagram [p.297]
- Electrical connection
- Rated load 2.7kW
- Fuse rating 13A

Fully Integrated Vented Tumble Dryer



TDi101

PRODUCT CODE

TDi101

DIMENSIONS

↔ w:600mm

PERFORMANCE

- e** - Energy Class C
- Est. annual energy consumption 459kWh/yr
- Max. noise level 62dB

FINISH AVAILABLE

White

FEATURES

- Vented drying
- 2 Heat settings
- Reverse tumble action
- Final cool down tumble
- Easy access fluff filter
- Rear vented only
- Integral extendable 2.4m hose and wall outlet
- Left or right door hinge
- Adjustable legs

CAPACITY

- 6kg drying capacity

INSTALLATION

- Diagram [p.297]
- Electrical connection
- Rated load 2.7kW
- Fuse rating 13A

FOOD WASTE DISPOSAL

A waste disposer hidden away under the sink can help you recycle your food scraps and leftovers like potato peelings, chicken bones, egg shells and tea bags. It's clean, it's green and it leaves less to clutter up your bin. It also reduces any decomposing food odours.

It couldn't be easier or more convenient to use. Simply turn on the cold tap and the disposer then empty everything into the sink. The disposer grinds the food waste into fine particles and flushes the waste away down the drain.

Since more than 25% of household refuse is food, that means much less rubbish to take away and clog up our landfill sites. It also means a reduction in the amount of greenhouse gases emitted. Waste from your disposer can actually be recycled into a soil conditioner once it reaches the water treatment plant, so you will be making a positive contribution to your environment.



Food Waste Disposal Units



WDU050

PRODUCT CODE
WDU050

DIMENSIONS

↔ w:175mm
d:175mm
h:372mm

FEATURES

- 0.5hp waste disposal unit
- Continuous feed
- High speed magnet motor
- Overload protection
- Corrosion resistant 3 stage grinding system
- Easy mount installation
- Sound insulation
- 2 Year guarantee
- Suitable for air switch [WDUAIR - see below]

OPTIONAL EXTRAS

- Air switch [WDUAIR] for WDU050 only
- Basket strainer waste decorative cover [CWC2]
Visit cagle.co.uk for full range



WDU075

PRODUCT CODE
WDU075

DIMENSIONS

↔ w:216mm
d:216mm
h:400mm

FEATURES

- 0.75hp waste disposal unit
- Continuous feed
- High speed magnet motor
- Overload protection
- Corrosion resistant 3 stage grinding system
- Easy mount installation
- Sound insulation
- 2 Year guarantee
- Air switch [WDUAIR] included

OPTIONAL EXTRAS

- Basket strainer waste decorative cover [CWC2]
Visit cagle.co.uk for full range



WDU100

PRODUCT CODE
WDU100

DIMENSIONS

↔ w:216mm
d:216mm
h:437mm

FEATURES

- 1.0hp waste disposal unit
- Continuous feed
- High speed magnet motor
- Overload protection
- Corrosion resistant 3 stage grinding system
- Easy mount installation
- Sound insulation
- 3 Year guarantee
- Air switch [WDUAIR] included

OPTIONAL EXTRAS

- Basket strainer waste decorative cover [CWC2]
Visit cagle.co.uk for full range

FEATURES

WDUAIR

The chrome air switch is an optional extra with the WDU050 but comes as standard with the WDU075 and WDU100.



WDUAIR



CWC2

VENTING

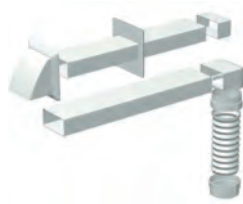
Some appliances in the Caple range require a venting system. Whether it's a vent for extraction or washing we have a variety of kits to suit.



100mm Venting Kit

[code 202W]

- 1 Metre flexible venting kit



100mm Venting Kit

[code 212W]

- 2 Metre venting kit



125mm Venting Kit

[code 202-5W]

- 1 Metre flexible venting kit



125mm Venting Kit

[code 227W]

- 3 Metre venting kit



150mm Venting Kit

[code 202-6W]

- 1 Metre flexible venting kit



150mm Venting Kit

[code 2653W]

- 3 Metre venting kit



150mm Venting Kit

[code 2655W]

- Suitable for use with
downdraft hoods

- 3 Metre ridged venting kit



Universal Plinth
Grille

[code GRILL/SENSE]

- Stainless steel top fixing
plinth grille

- Available in 2 sizes:
GRILL/SENSE600 [shown]
W 525mm
GRILL/SENSE300 W 250mm

CHOOSING THE RIGHT VENTING

To ensure you have the correct venting for your chosen hood, please refer to the hood specification where the required diameter kit is listed.

EXTERNAL MOTORS

Due to the power and fitment of Caple external motors [DDMEXT10, DDMEXT20, DDMEXT25, DDMEXT27, DDMEXT30 and DDMEXT40] you must use rigid ducting.



266

267

VENTING

Full Height Stainless Steel Plinth Grilles

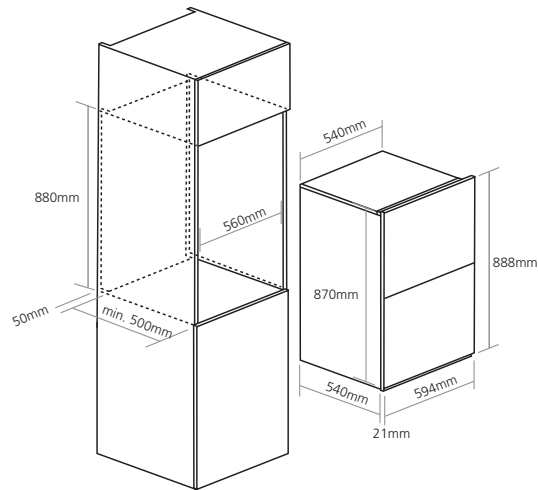
w: 300mm
GRILL/CLASS301
for Wi3122 and Wi3122WH

w: 600mm
GRILL/CLASS601
for Wi6229, Wi6121,
Wi6130, and Wi6132WH

INSTALLATION DIAGRAMS

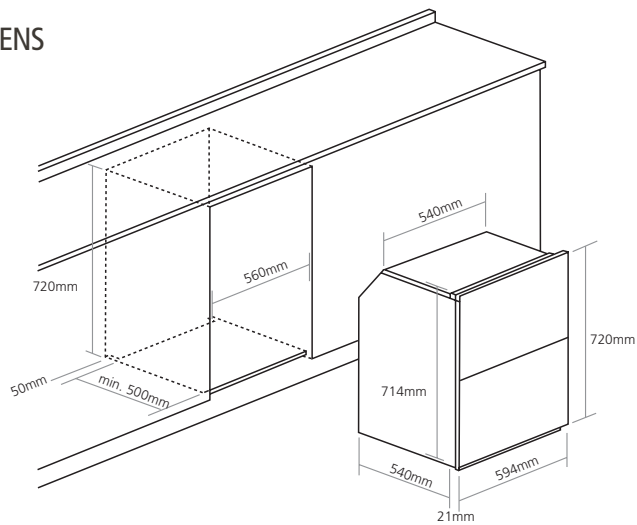
DOUBLE OVENS

C3370
C3244
C3242



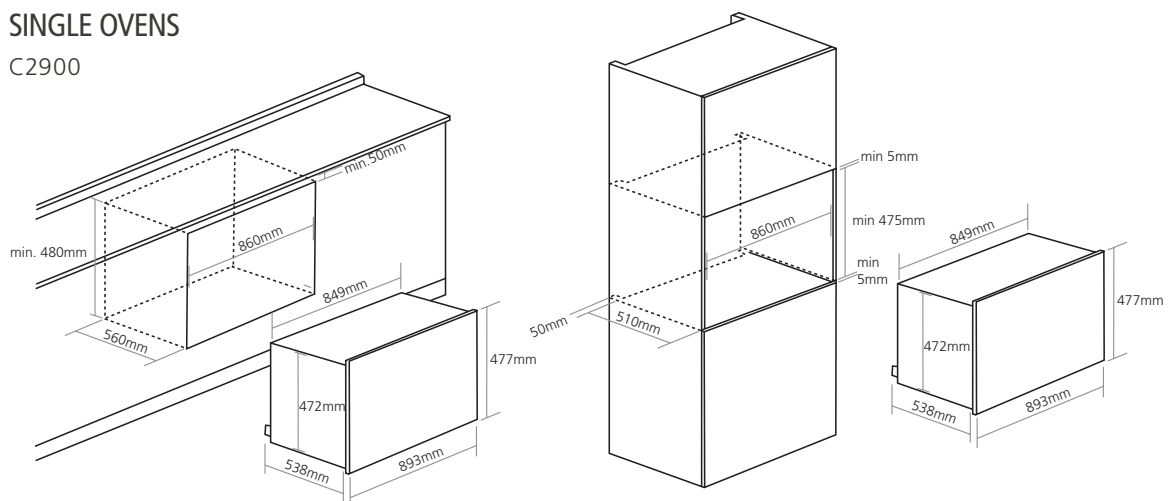
BUILT-UNDER DOUBLE OVENS

C4360
C4244
C4242



SINGLE OVENS

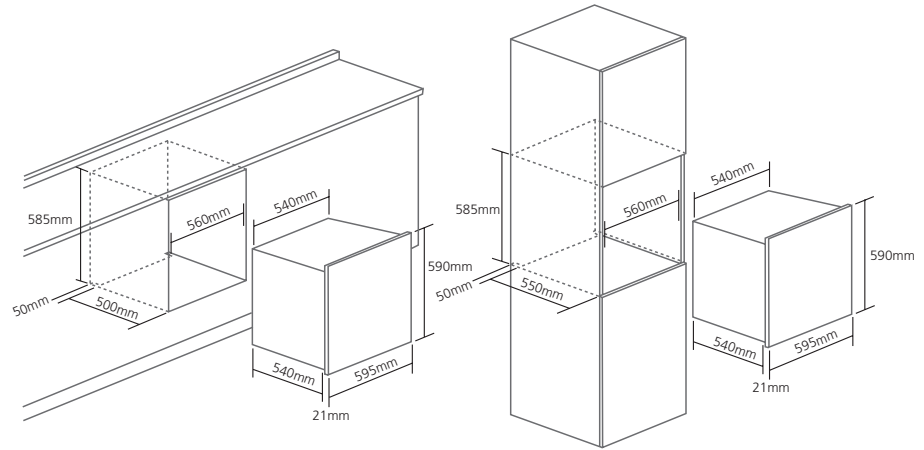
C2900



We recommend that when installing a stack or quad of products, a pair of our installation brackets [OVEN/BRAKETS] are purchased to support the upper product ensuring a seamless fit for each appliance when one is on top of the other.

SINGLE OVENS

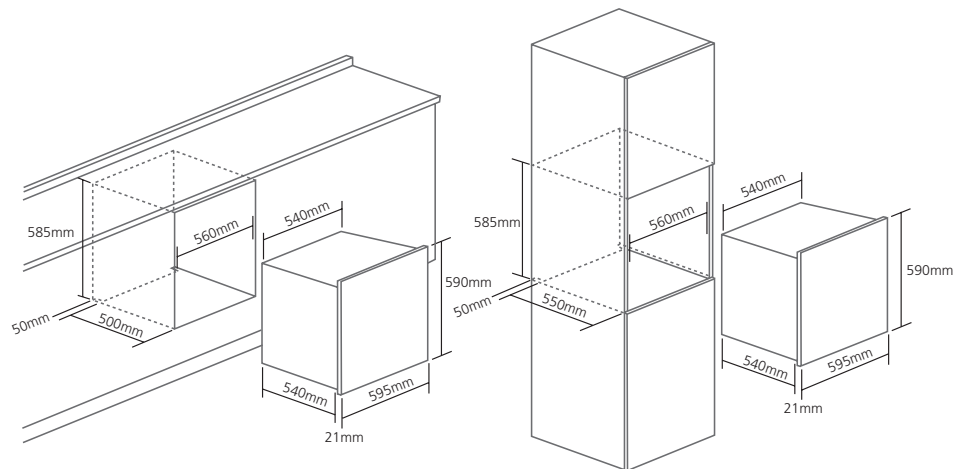
C2480



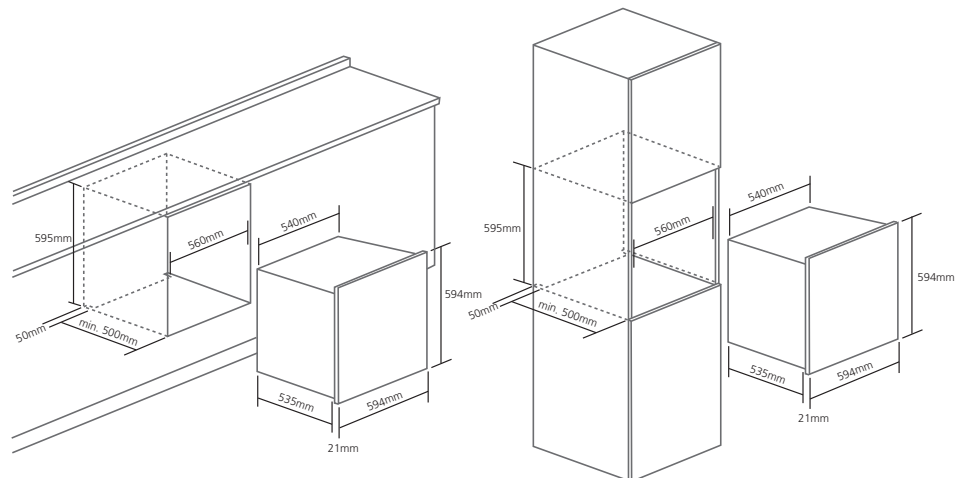
268

269

C2160



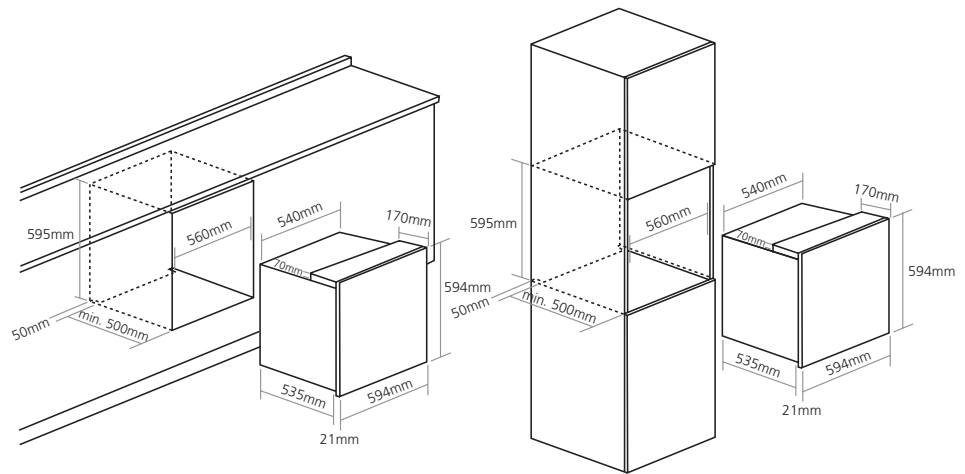
C2150SS
C2150WH



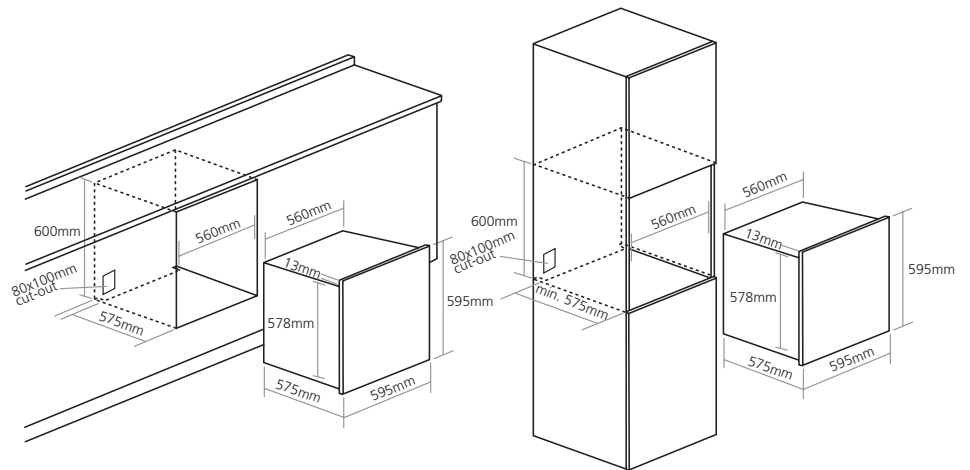
We recommend that when installing a stack or quad of products, a pair of our installation brackets [OVEN/BRAKETS] are purchased to support the upper product ensuring a seamless fit for each appliance when one is on top of the other.

SINGLE OVENS

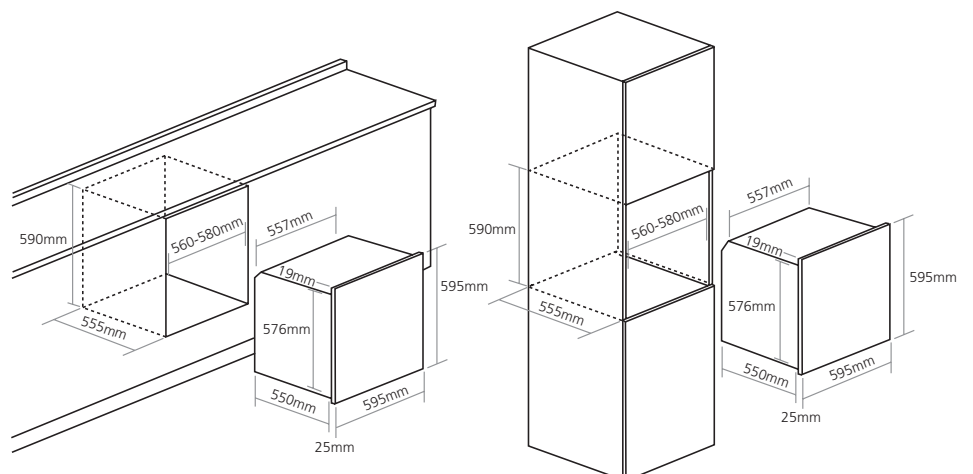
C2100
C2361
C2219



C2472



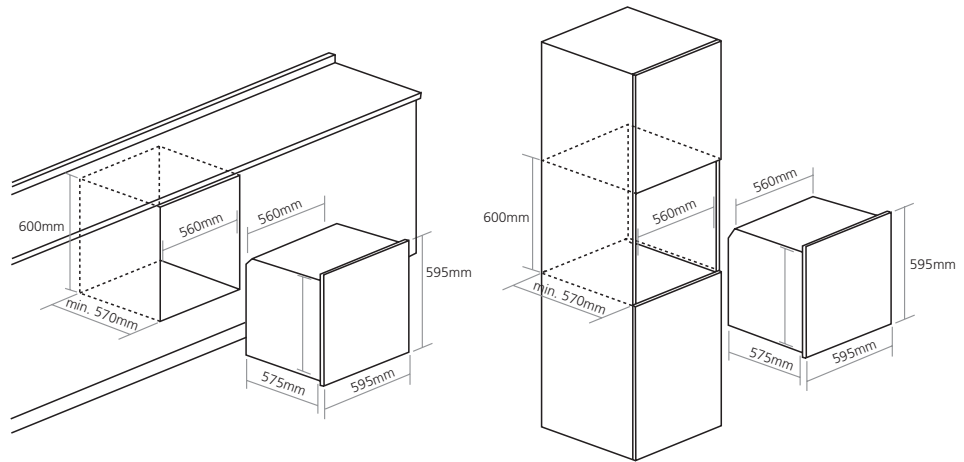
C2238
C2236
C2233
C2233BK
C2230



We recommend that when installing a stack or quad of products, a pair of our installation brackets [OVEN/BRACKETS] are purchased to support the upper product ensuring a seamless fit for each appliance when one is on top of the other.

SINGLE OVENS

C2512

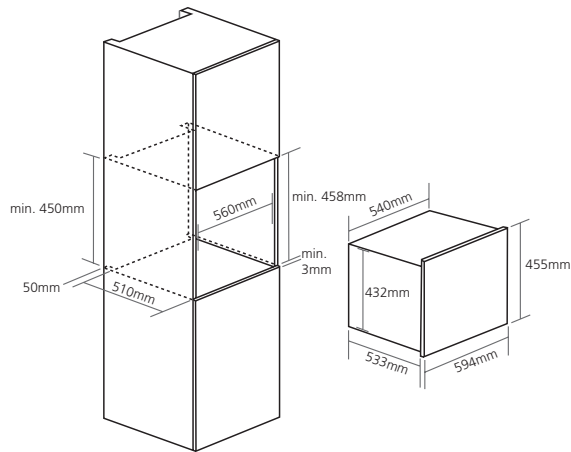


270

271

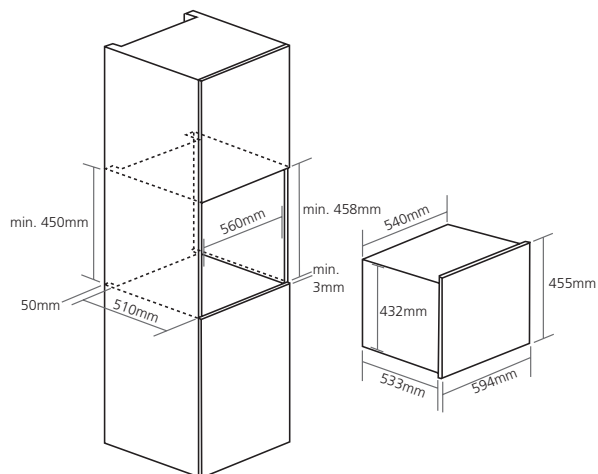
STEAM OVENS

SO209SS
SO209WH
SO109



MICROWAVES

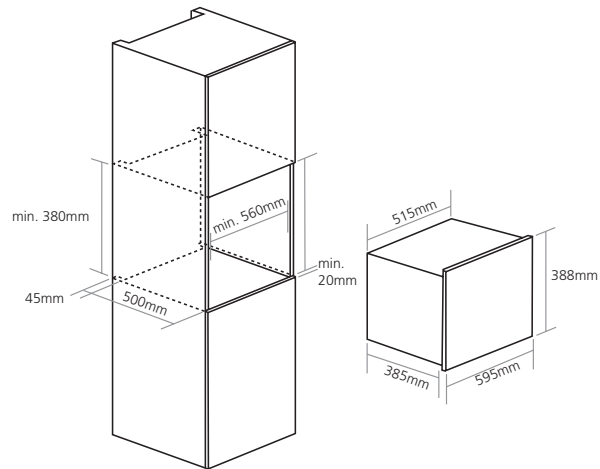
CM209SS
CM209WH
CM109



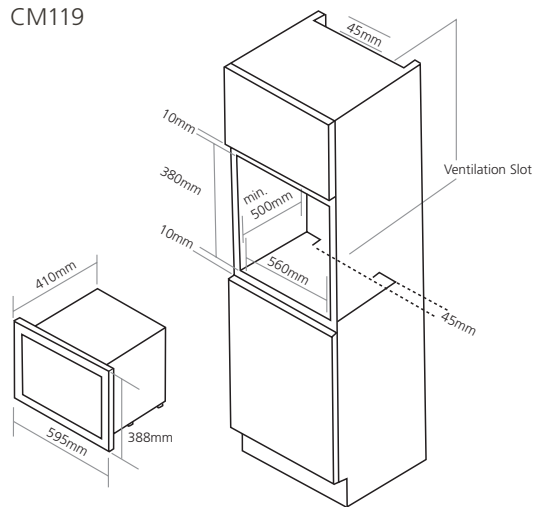
We recommend that when installing a stack or quad of products, a pair of our installation brackets [OVEN/BRACKETS] are purchased to support the upper product ensuring a seamless fit for each appliance when one is on top of the other.

MICROWAVES

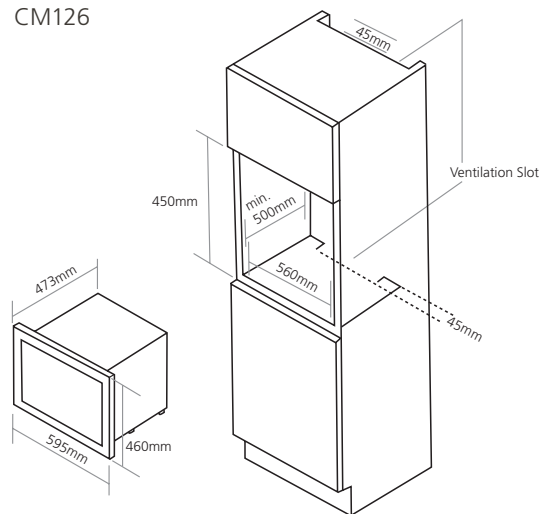
CM2400



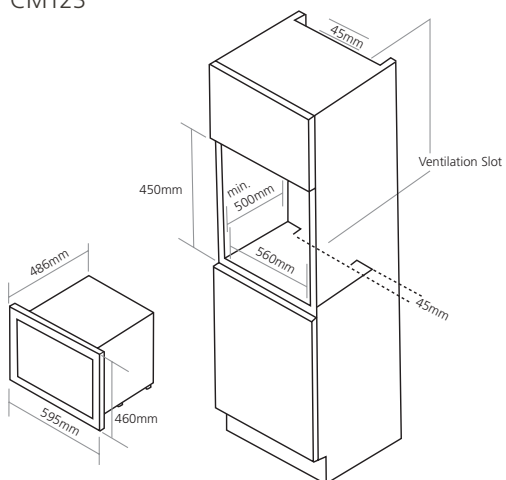
CM119



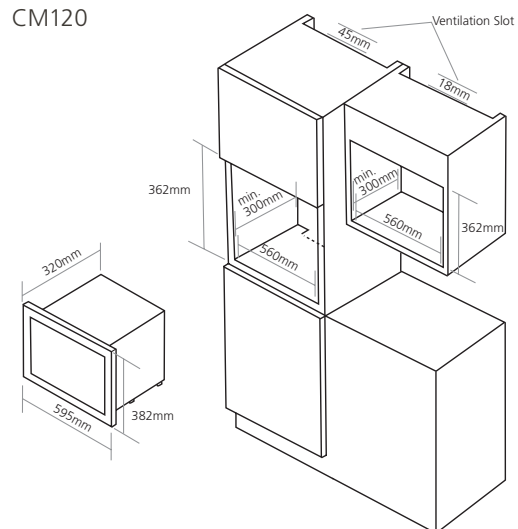
CM126



CM123



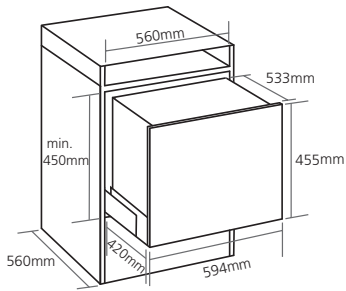
CM120



We recommend that when installing a stack or quad of products, a pair of our installation brackets [OVEN/BRACKETS] are purchased to support the upper product ensuring a seamless fit for each appliance when one is on top of the other.

COFFEE MACHINES

CM471SS
 CM471WH
 CM461

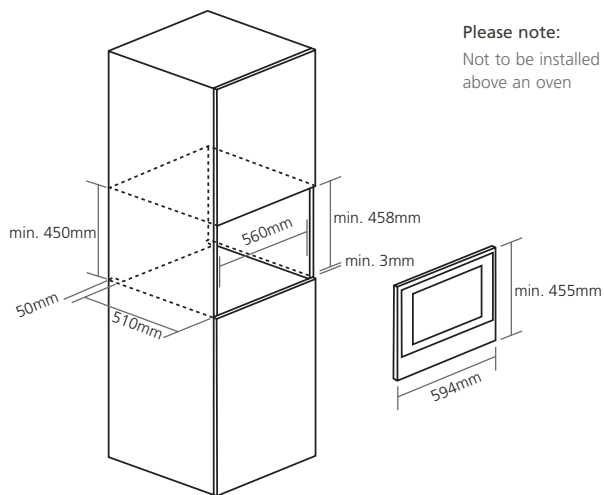


272

273

TV

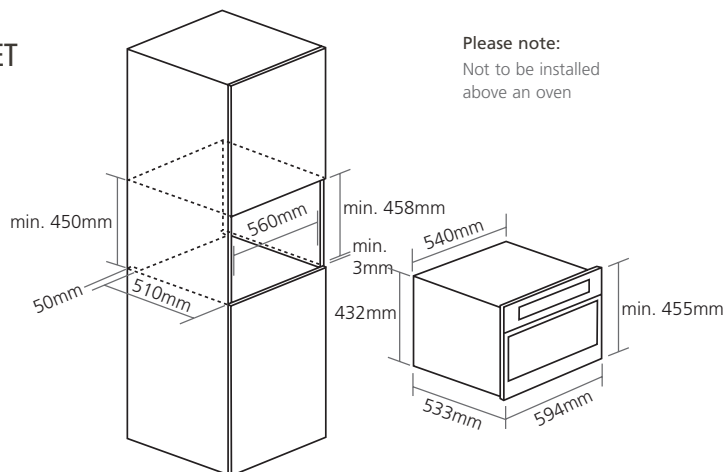
TV471



Please note:
 Not to be installed
 above an oven

IN COLUMN WINE CABINET

WC470



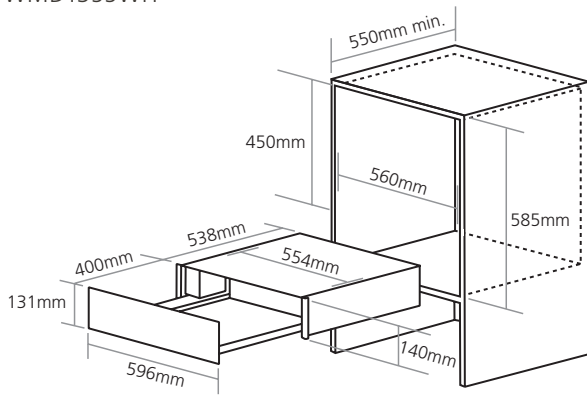
Please note:
 Not to be installed
 above an oven

We recommend that when installing a stack or quad of products, a pair of our installation brackets [OVEN/BRACKETS] are purchased to support the upper product ensuring a seamless fit for each appliance when one is on top of the other.

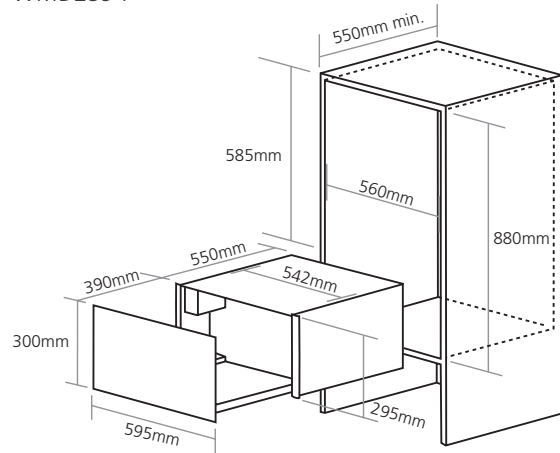


WARMING DRAWERS

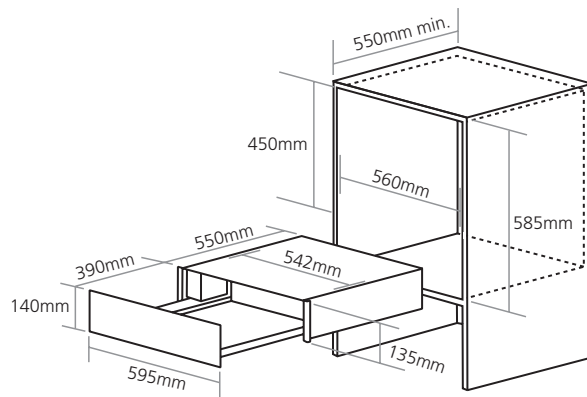
WMD1356
WMD1355WH



WMD2594

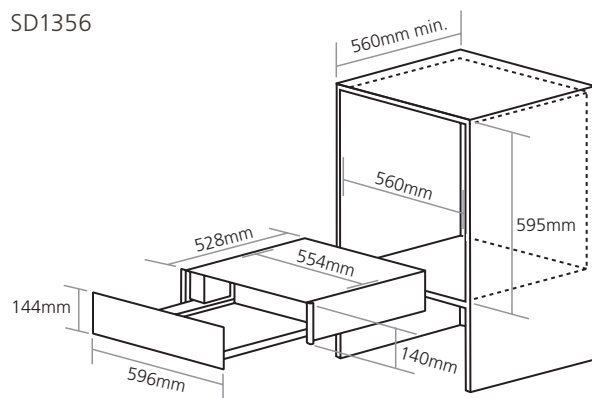


WMD1354



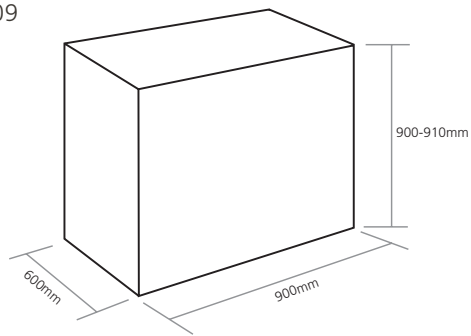
STORAGE DRAWER

SD1356



RANGE COOKERS

CR9228
CR9209
CR9111
CR9109

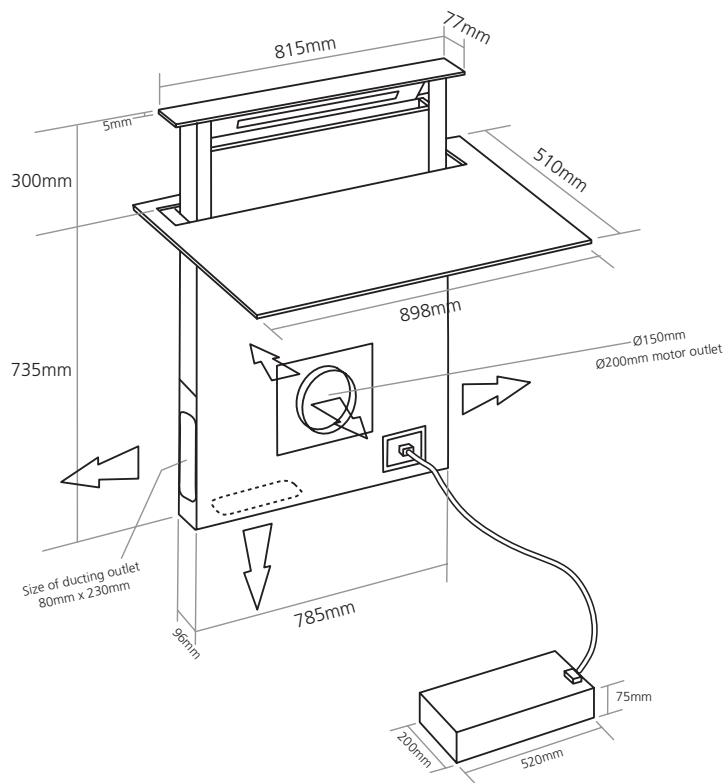


274

275

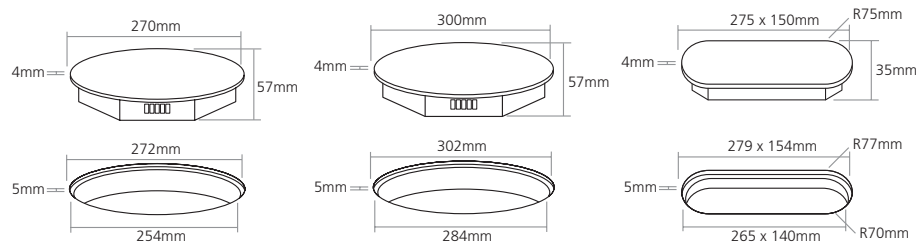
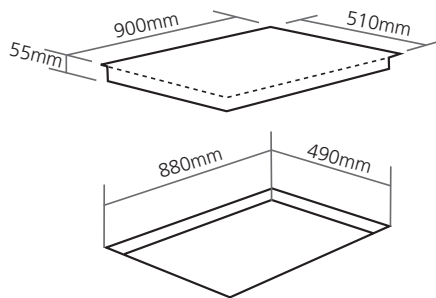
INDUCTION HOBS

DD931BK



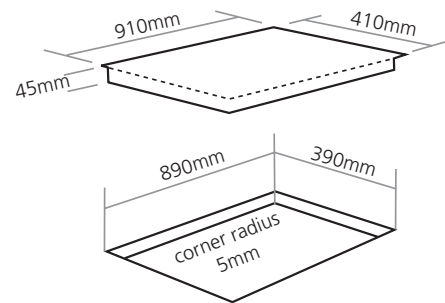
INDUCTION HOBS

C950i

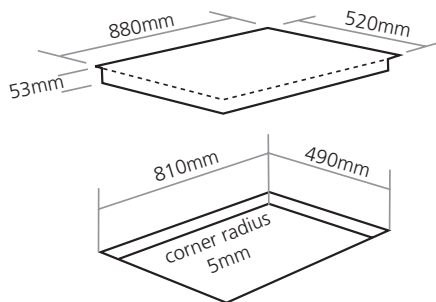
C895iBK
C895iWH

A minimum ventilation of 100cm² is required

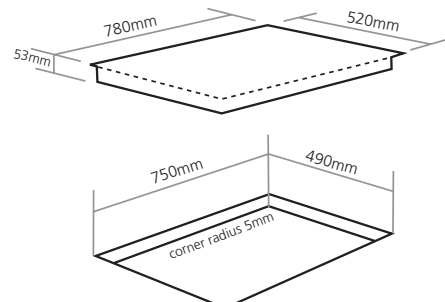
C875i



C900i



C867i



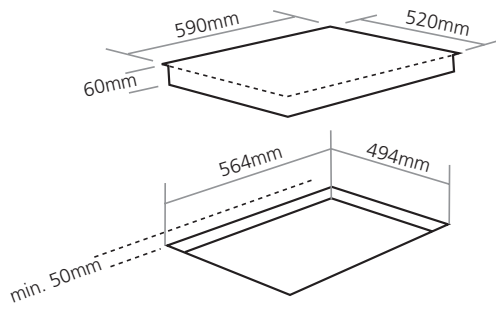
A minimum ventilation of 100cm² is required

Induction hobs C950i, C875i, C900i and C867i:

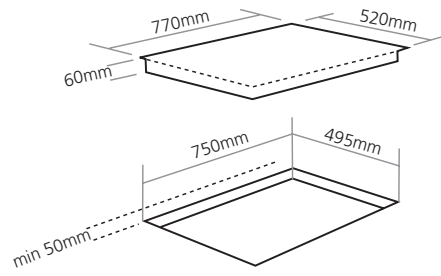
A minimum gap of 20mm is required beneath the hob fans, and a 4mm gap must be left under the worktop at the front of the hob for ventilation.

INDUCTION HOBS

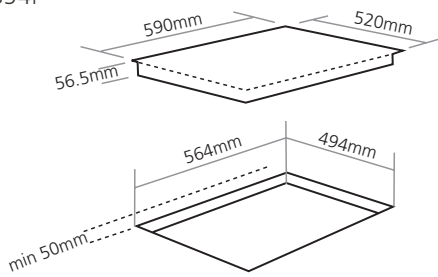
C855i



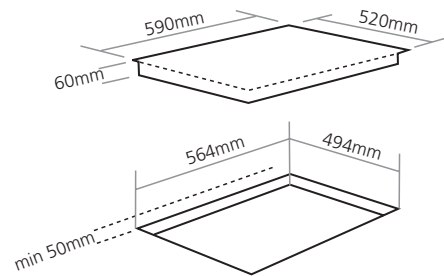
C863i



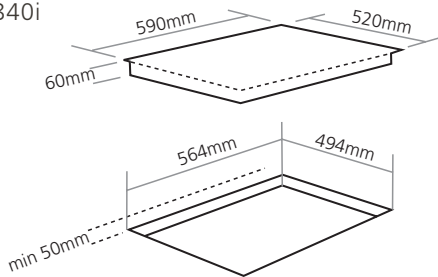
C854i



C850i



C840i



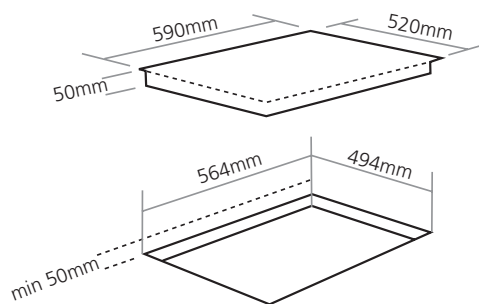
Induction hobs C855i, C863i, C854i, C850i and C840i:

A minimum gap of 50mm required beneath the hob fans, and a 5mm gap must be left under the worktop at the front of the hob for ventilation.

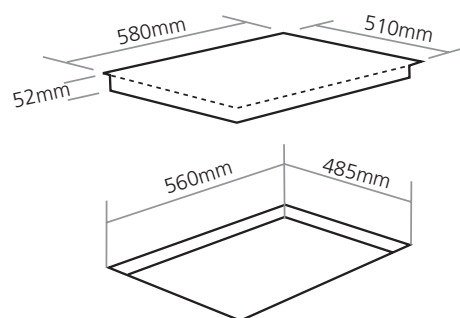
ELECTRIC HOBS

C814C

C807C

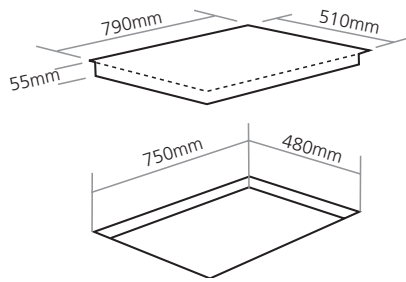


C605E

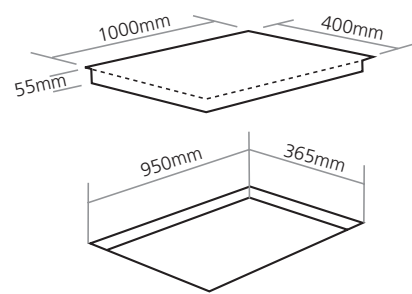
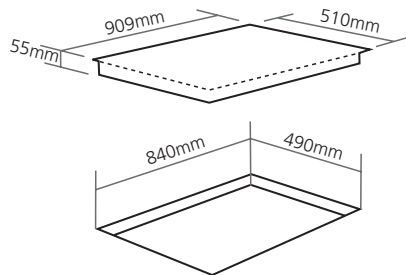
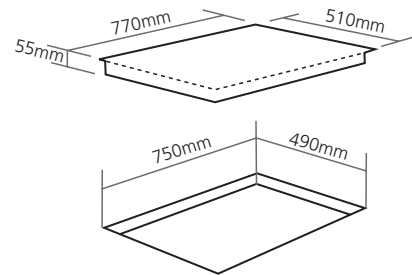


GAS HOBS

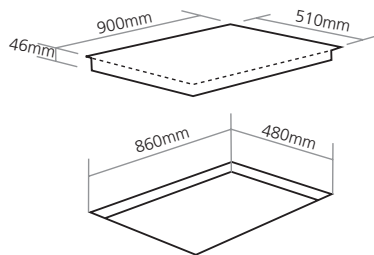
C981G



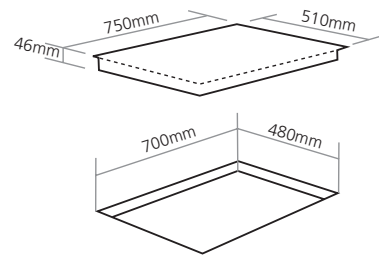
C1081G

C880GBK
C880GWHC870GBK
C870GWH

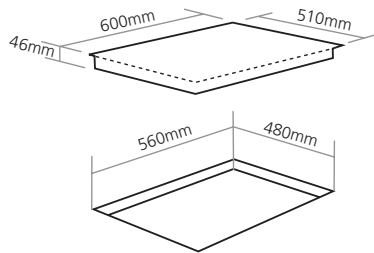
C769G



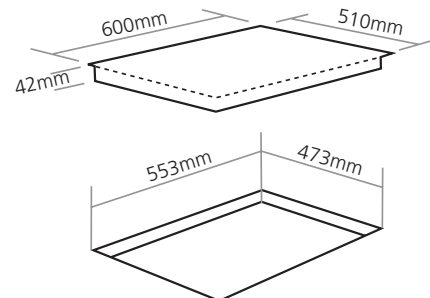
C759G



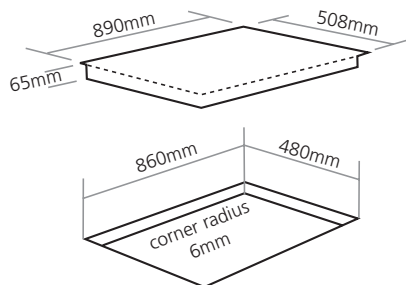
C739G



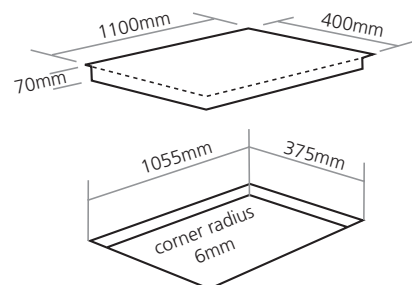
C743G



C972G

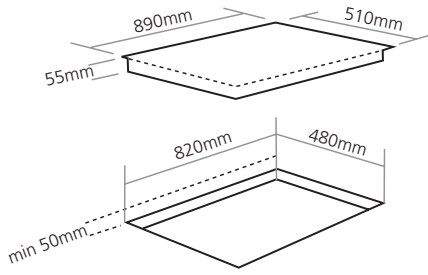


C1072G

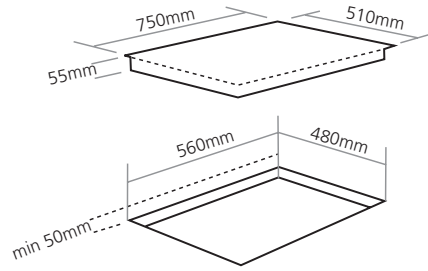


GAS HOBS

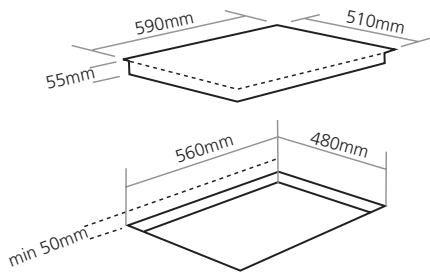
C873G



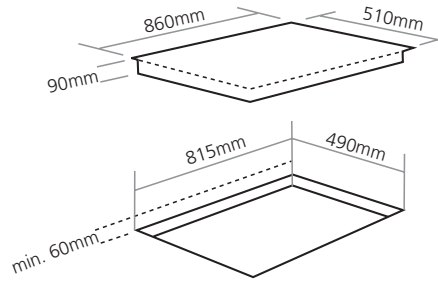
C866G



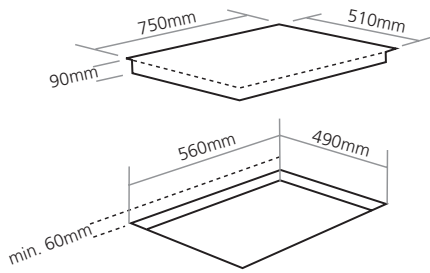
C848G



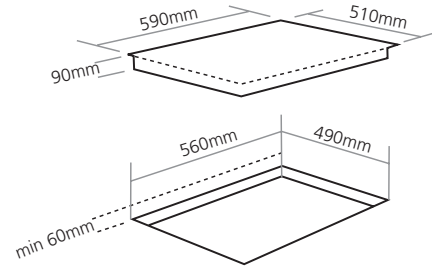
C774G



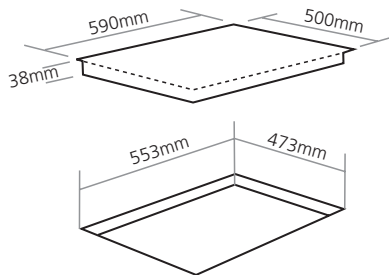
C767G



C749G

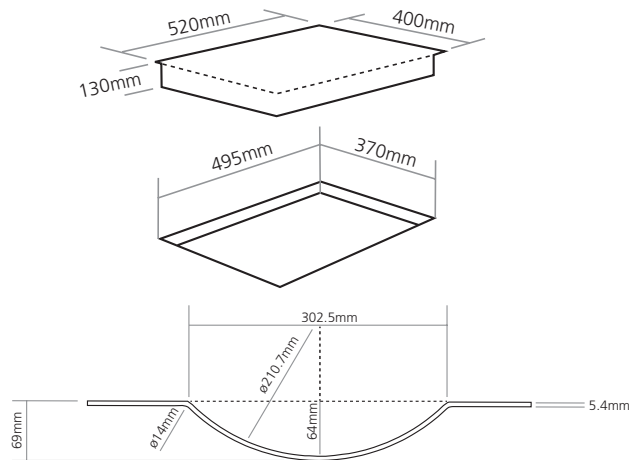


C705G

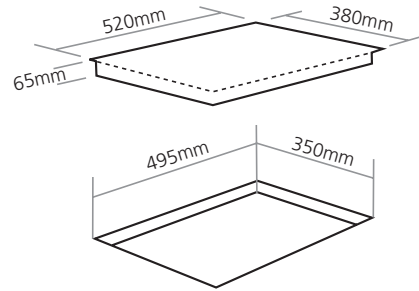


MODULAR HOBS

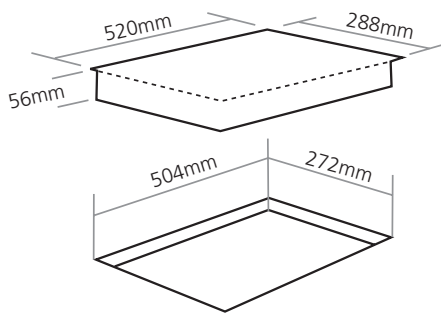
C930i



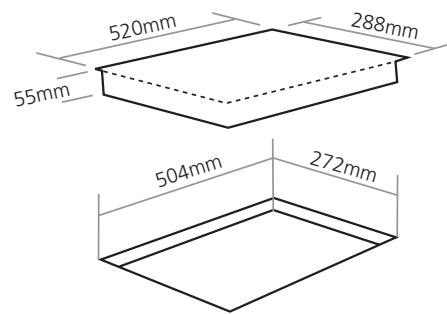
C995
C996i
C993G



C994i



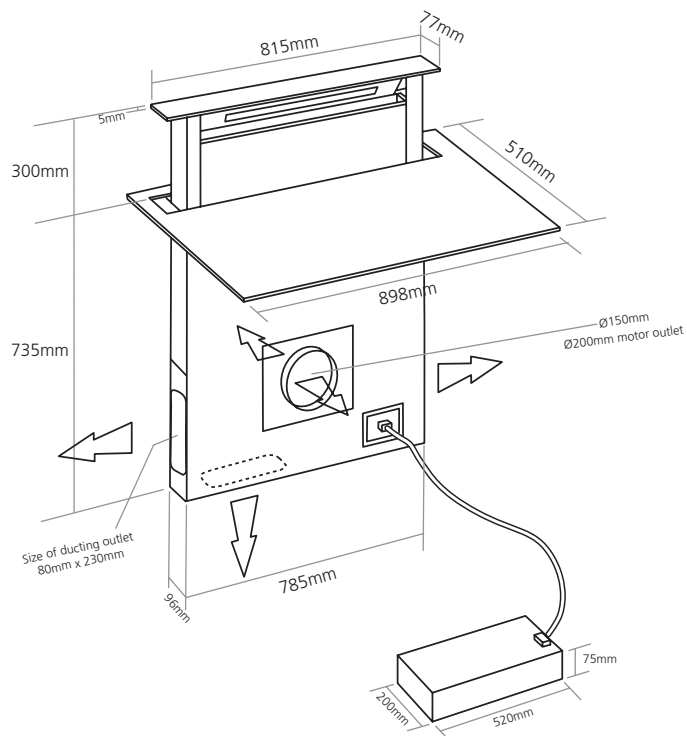
C892C



If installed without a gap in between, cut-out width = [no. of hobs - 1] x 288mm + 268mm

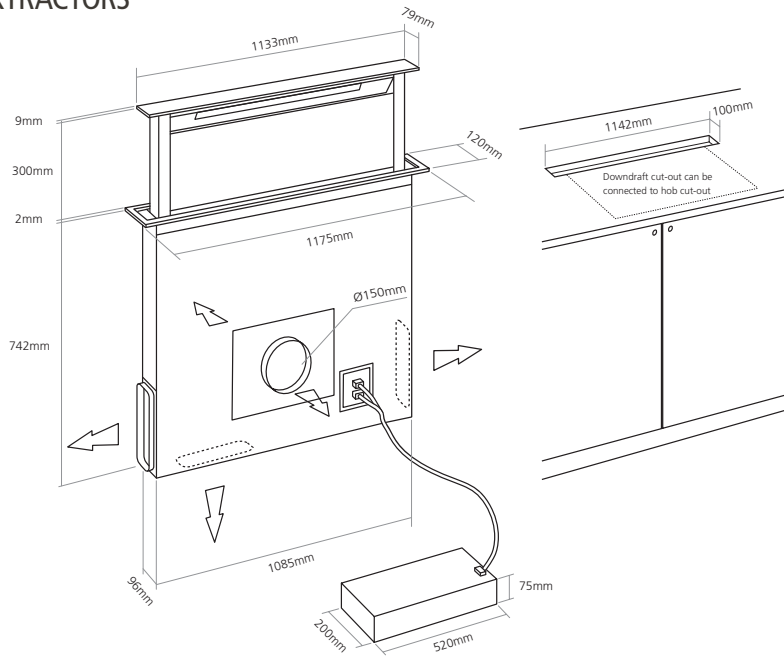
DOWNDRAFT EXTRACTORS

DD931BK

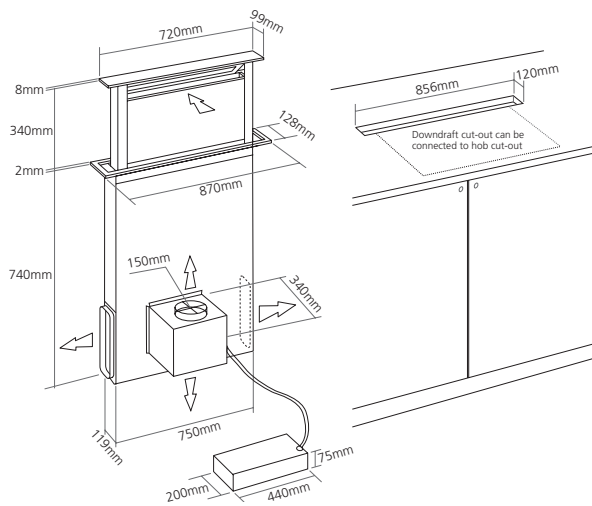


DOWNDRAFT EXTRACTORS

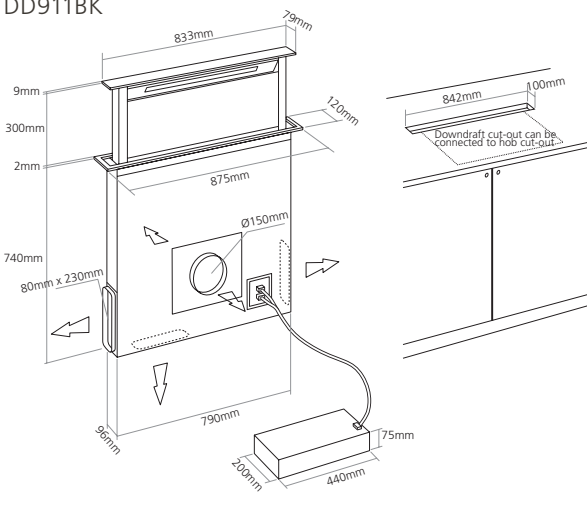
DD120BK



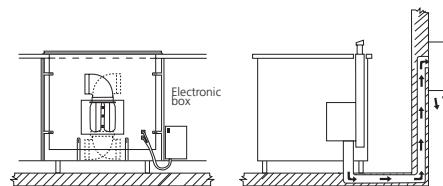
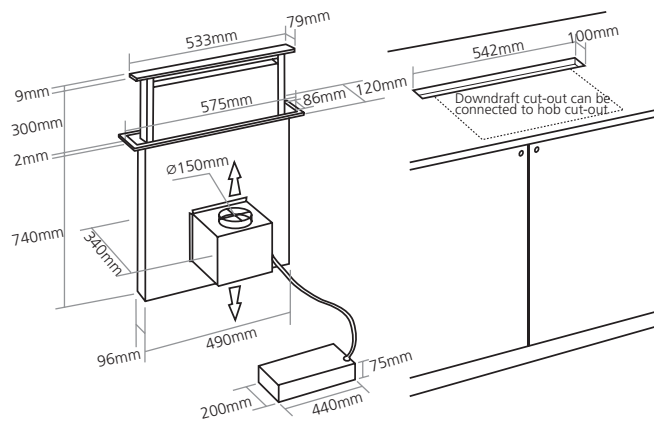
DD921BK



DD911SS
DD911WH
DD911BK



DD606SS
DD606BK



Installation made easy

Minimum cabinet depth depends on orientation, hob type and worktop material.

Cabinet base may need to be cut or routed to accommodate height of unit.

If positioned behind a hob, minimum cabinet width for DD521/606 extractors is 600mm, for DD911/921 allow 900mm and for DD120BK 1200mm is required.

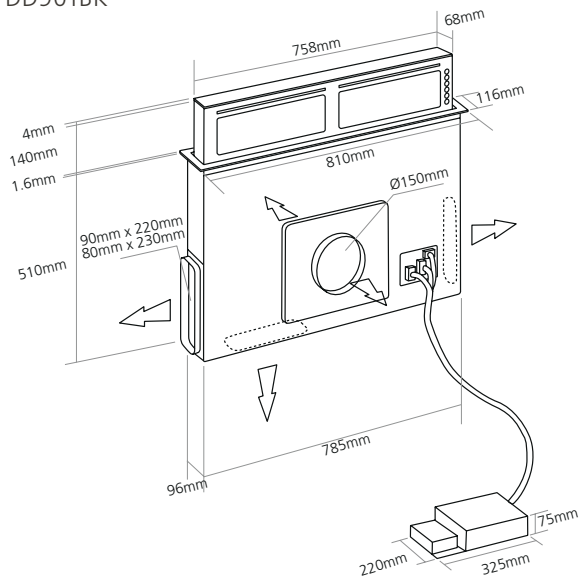
If positioned alongside a hob, the cabinet may need to be reinforced to strengthen where the base has been modified.

The hood can be fitted right up to either a gas or electric hob, but always ensure that the independent electronics box in the cupboard below is installed at least 650mm from the heat source.

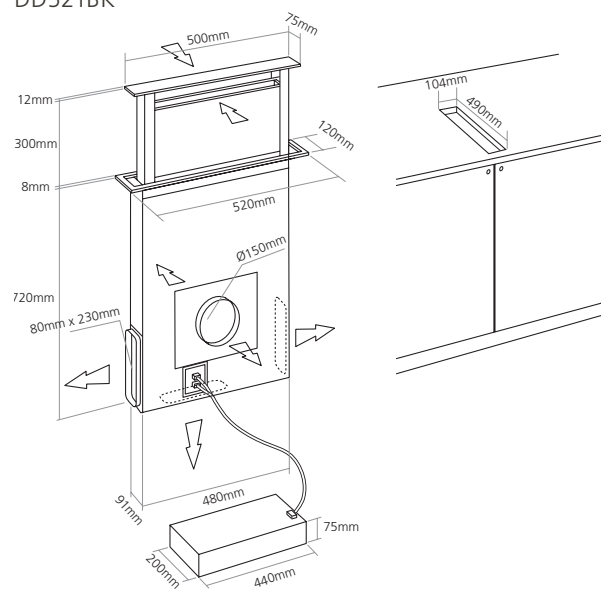
The hood can be ducted from both sides enabling the downdraft to be positioned behind a hob and under-counter oven.

DOWNDRAFT EXTRACTION

DD901BK

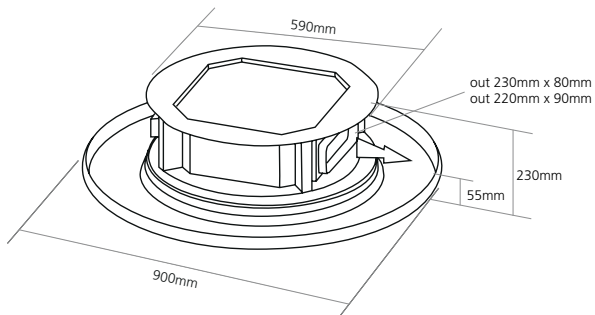


DD521BK

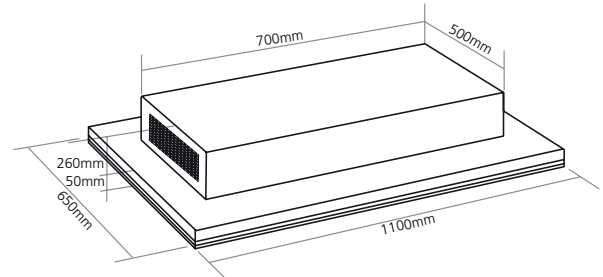


CEILING HOODS

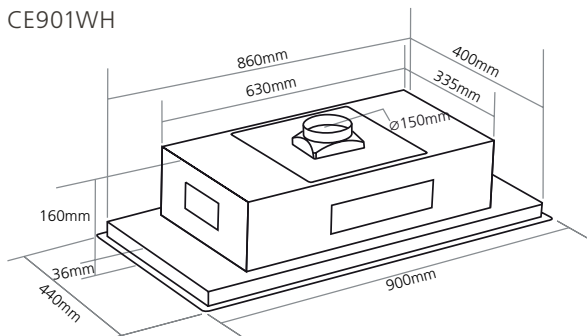
CE950



CE1121

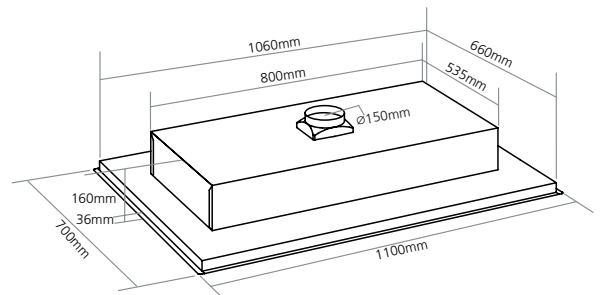


Minimum build in depth 215mm

CE901
CE901WH

Minimum build in depth 270mm

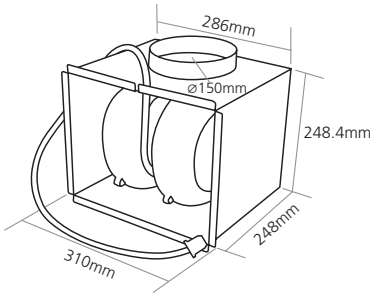
CE1101



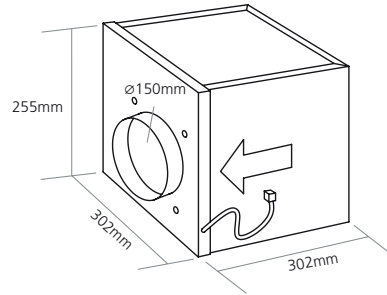
Minimum build in depth 270mm

EXTRACTION MOTORS

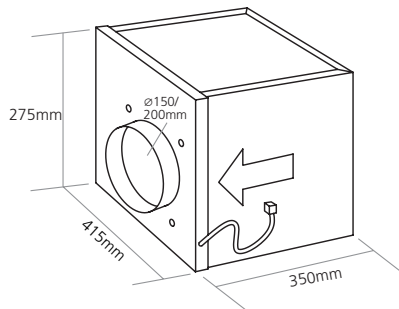
DDMEXT10



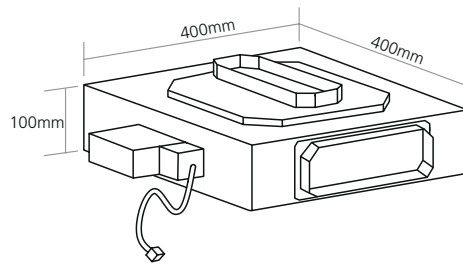
DDMEXT20



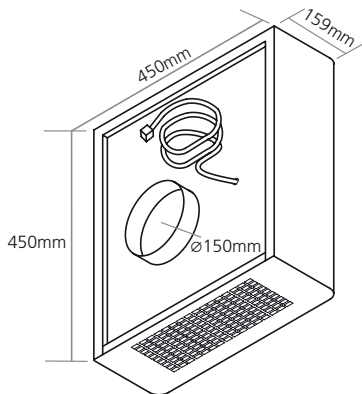
DDMEXT25



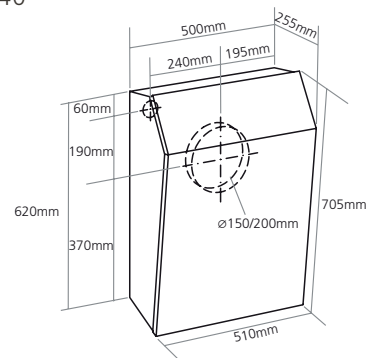
DDMEXT27



DDMEXT30

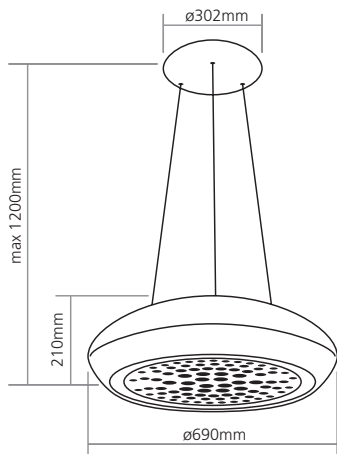


DDMEXT40

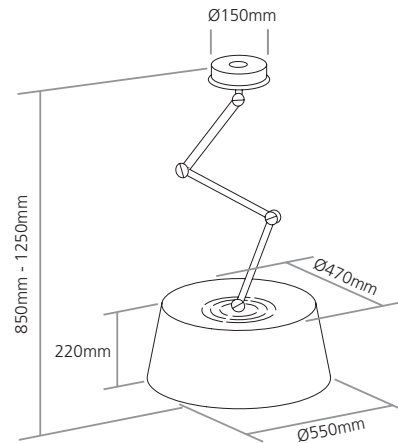


ISLAND HOODS

CR700



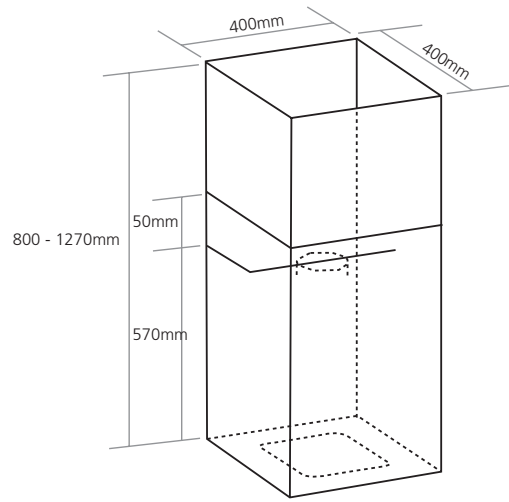
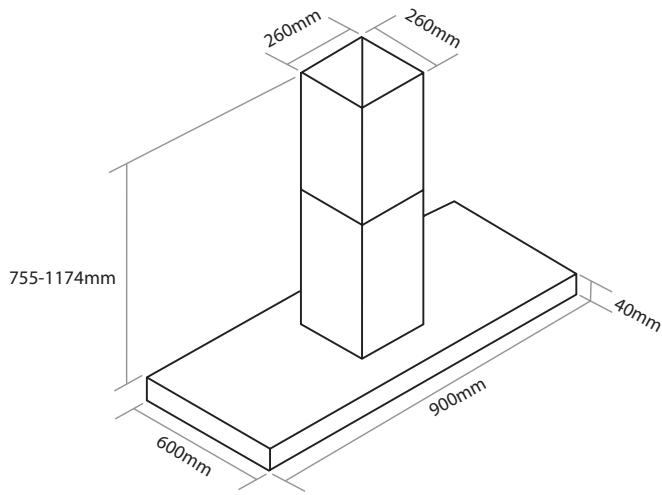
ViE551BK
ViE551SS
ViE551WH



ISLAND HOODS

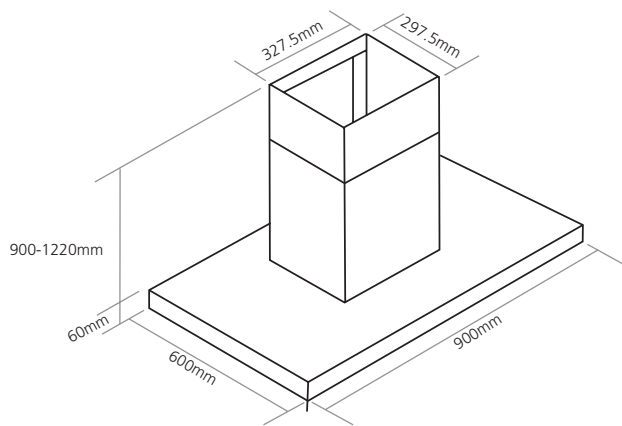
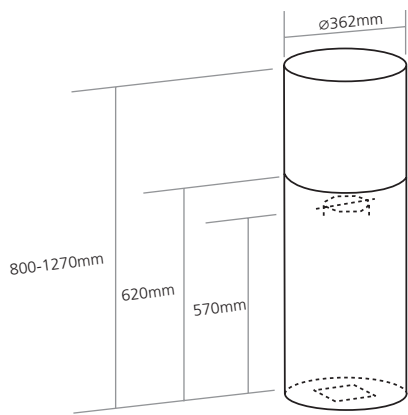
Zi920
Zi920WH

Pi401

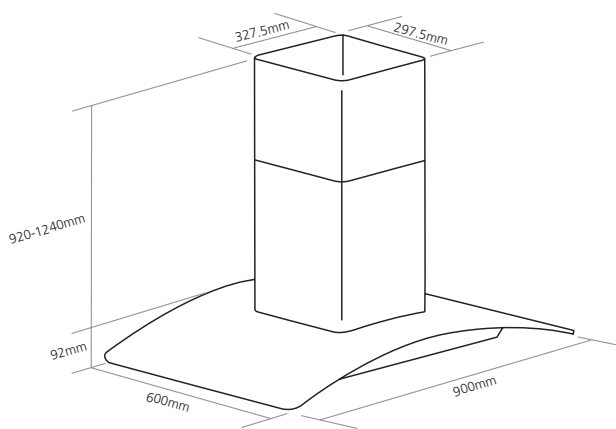


Oi361

BXi910

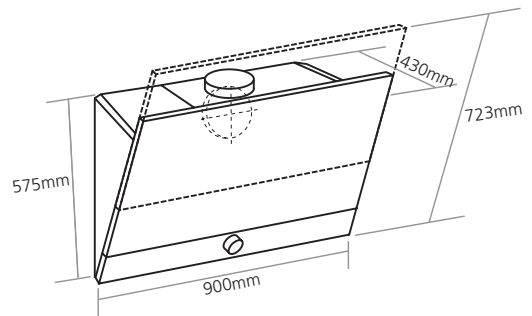
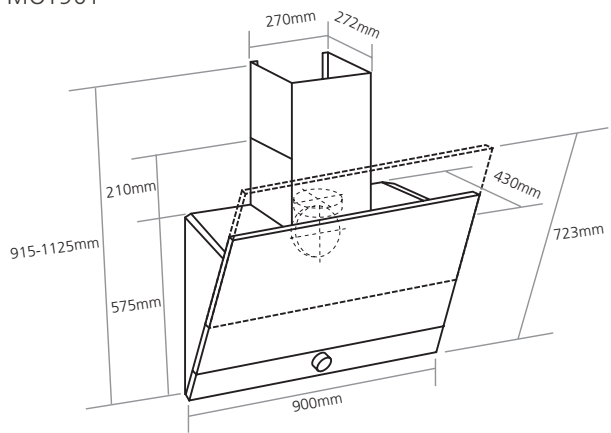


CGi920

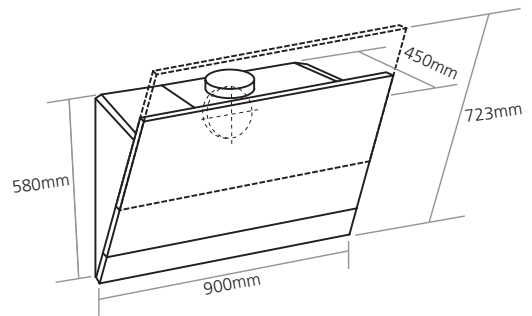
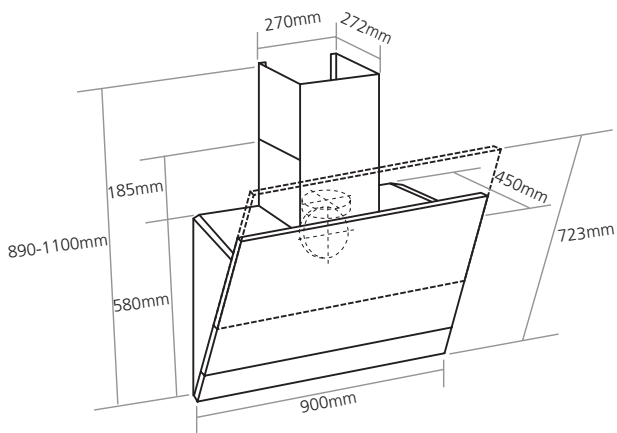


WALL CHIMNEY HOODS

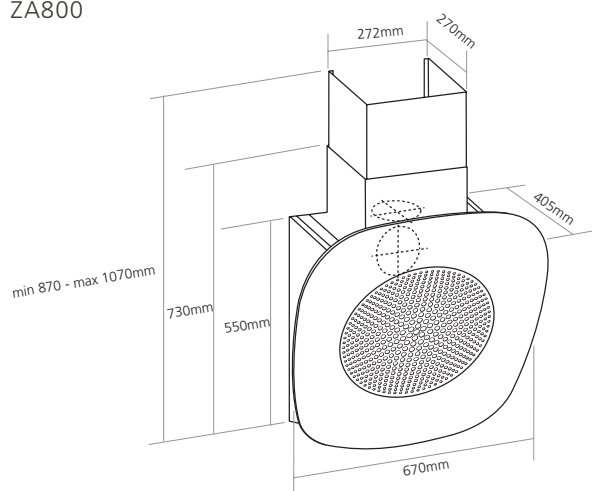
MOT901



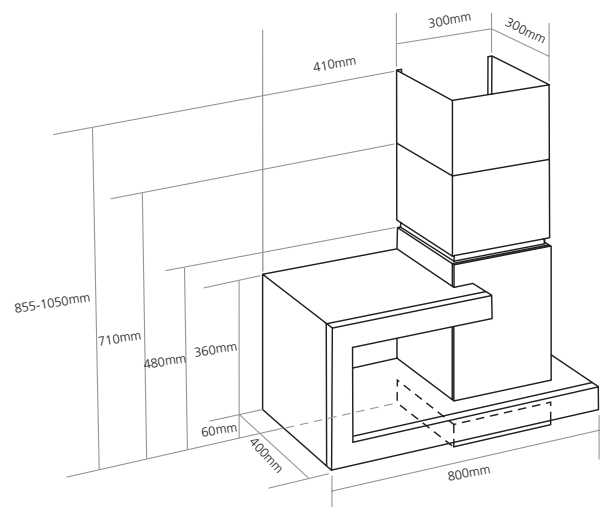
MOT911



ZA800



ZZ801



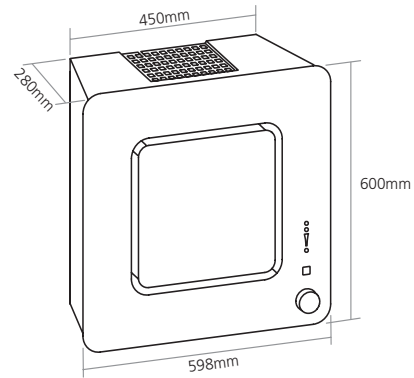
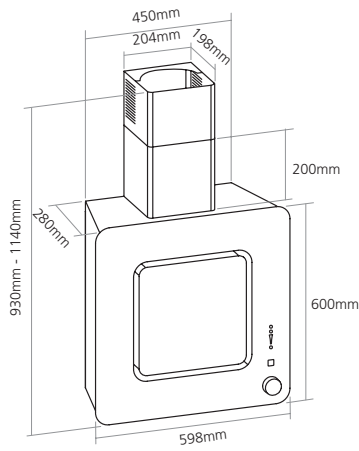
Between the lowest point of the hood and the hob the distance required is 450mm.

284

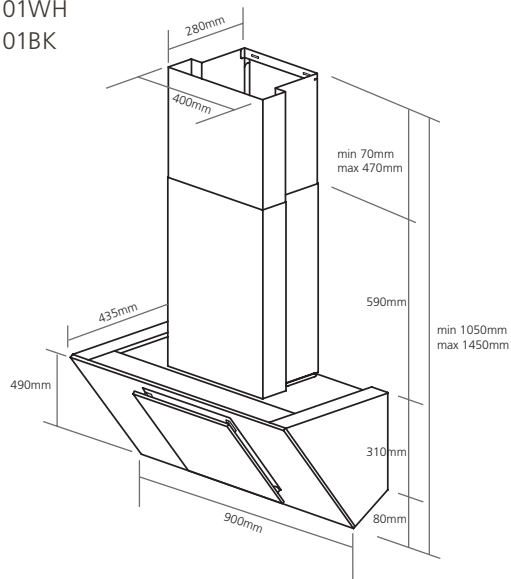
285

WALL CHIMNEY HOODS

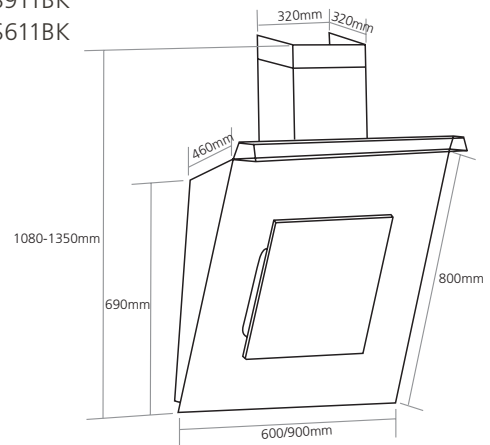
LUC600



ZZ901WH
ZZ901BK

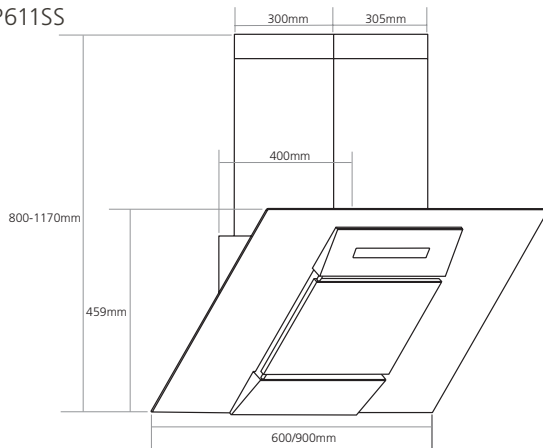


AS911BK
AS611BK

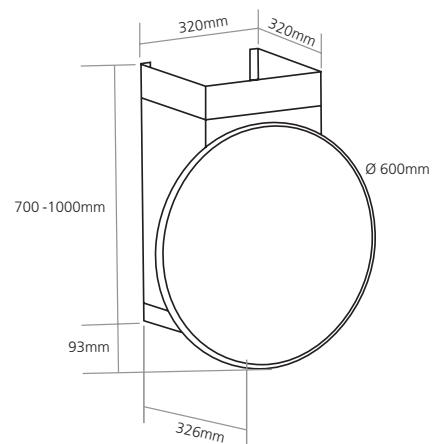


650mm space for electric hobs and 760mm space for gas hobs required from worktop to the mesh filter behind the centre glass panel.
From the lowest point of the hood the distance required is 450mm for electric hobs and 550mm for gas hobs.

SP911BK
SP911SS
SP611BK
SP611SS

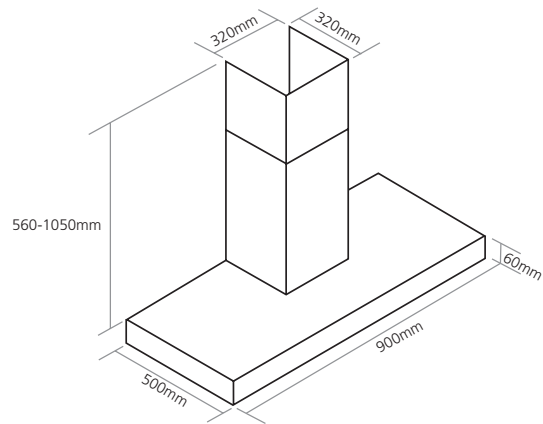


LC610BK

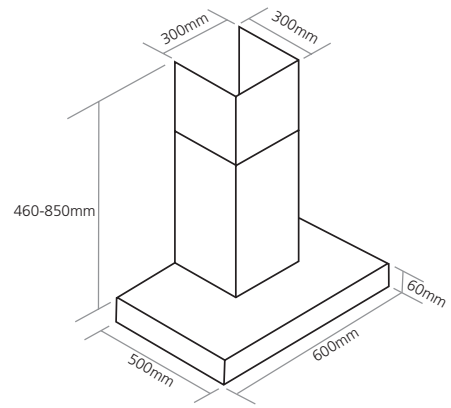


WALL CHIMNEY HOODS

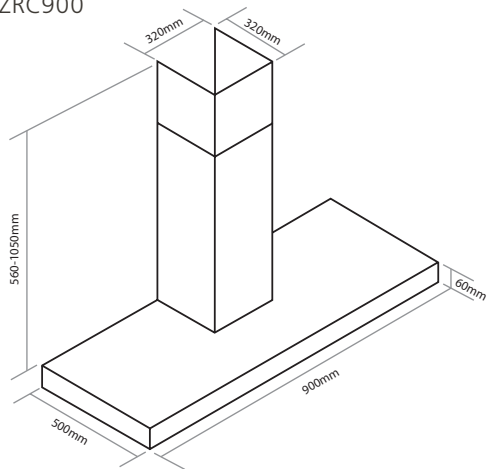
ZC921



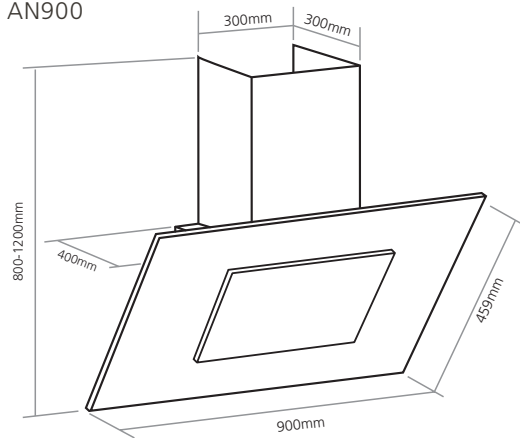
ZC621



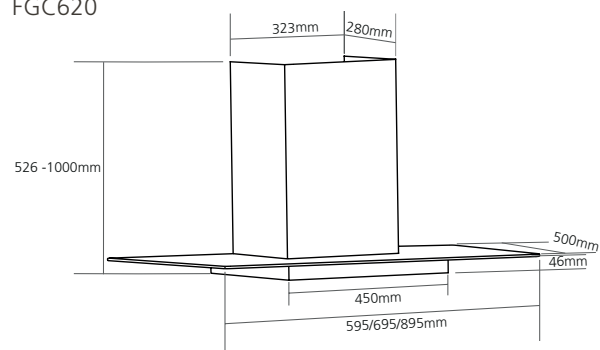
ZRC900



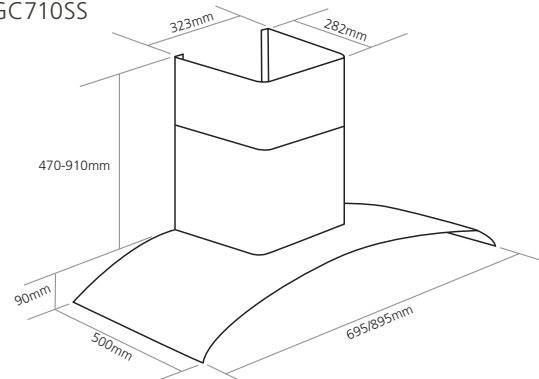
AN900



FGC920
FGC920BK
FGC720
FGC720BK
FGC620

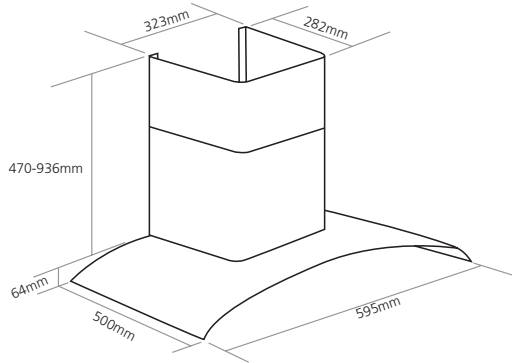


CGC910BK
CGC910SS
CGC710BK
CGC710SS

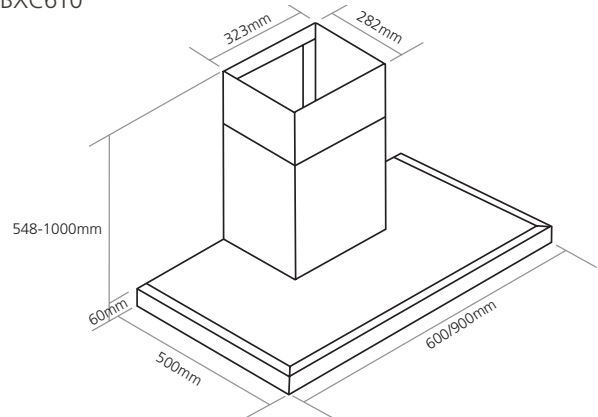


WALL CHIMNEY HOODS

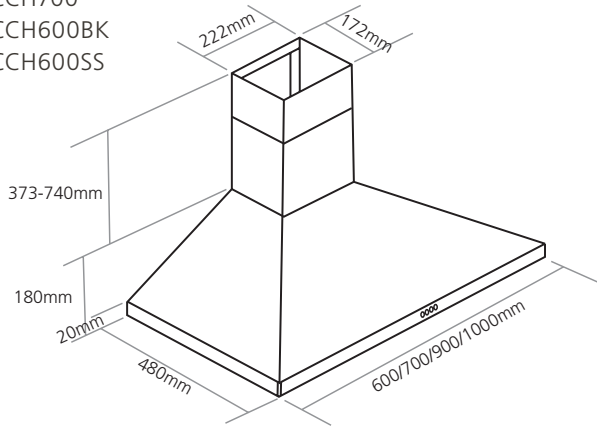
CGC610BK
CGC610SS



BXC910
BXC610

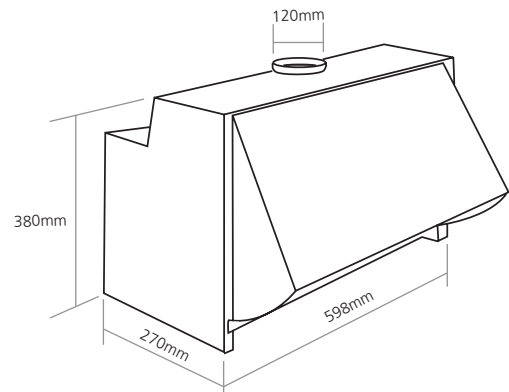


CCH100
CCH900BK
CCH900SS
CCH700
CCH600BK
CCH600SS



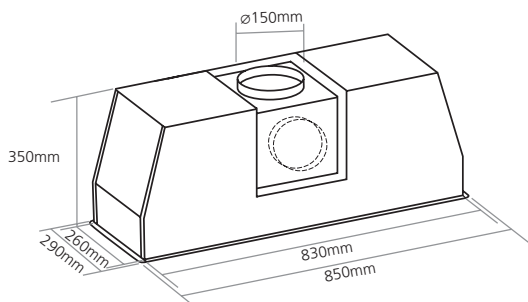
INTEGRATED/INLINE HOODS

2MINCH9
1MINCH9

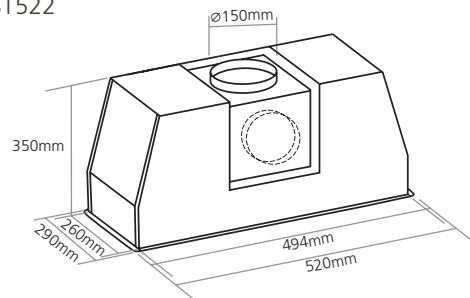


BUILT UNDER HOODS/CONVENTIONAL HOODS

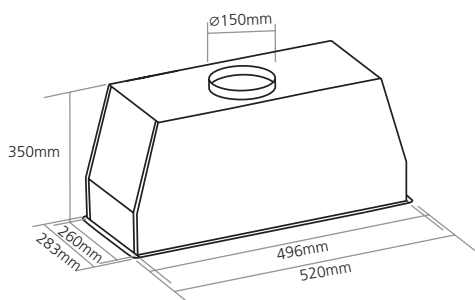
ST852



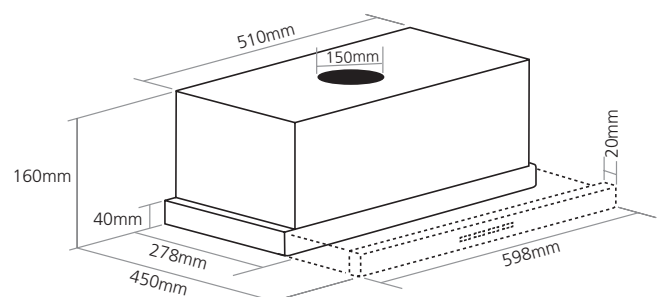
ST522



BU521

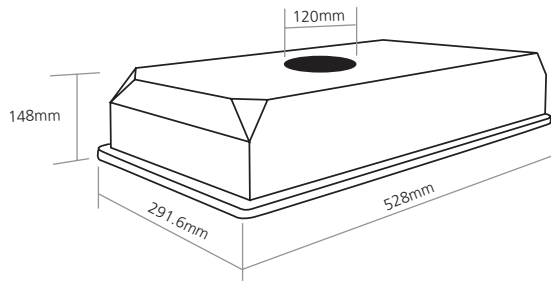


TSCH600

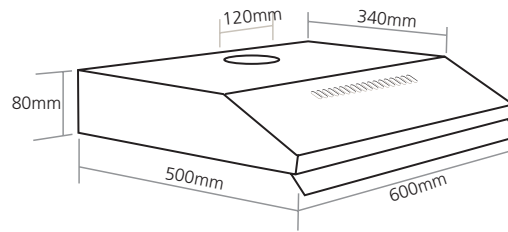


BUILT UNDER HOODS/CONVENTIONAL HOODS

2MBUCH3



FSCHSS7

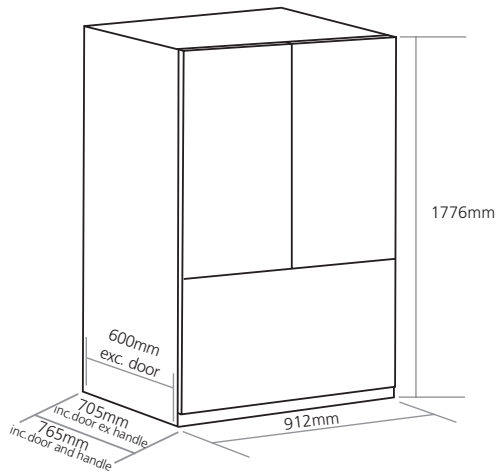


288

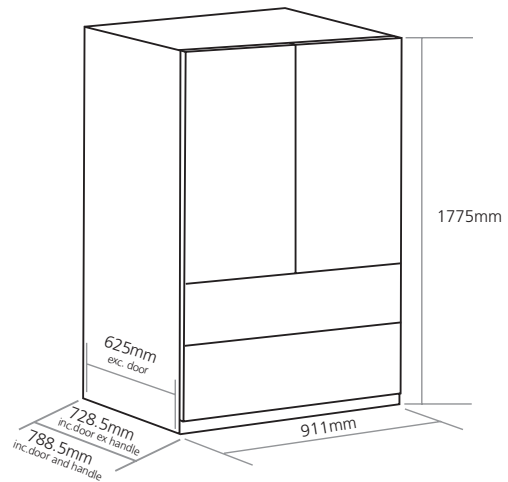
289

FRENCH DOOR FRIDGE FREEZERS

CAFF30

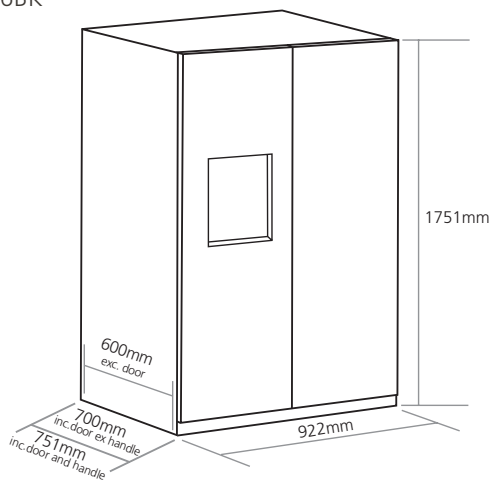


CAFF40BK

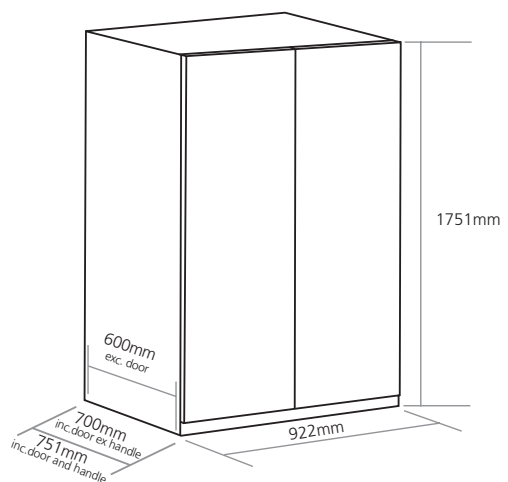


SIDE-BY-SIDE FRIDGE FREEZERS

CAFF206SS
CAFF206BK



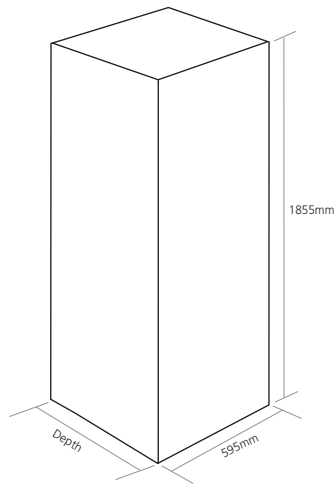
CAFF23



FREESTANDING REFRIGERATION

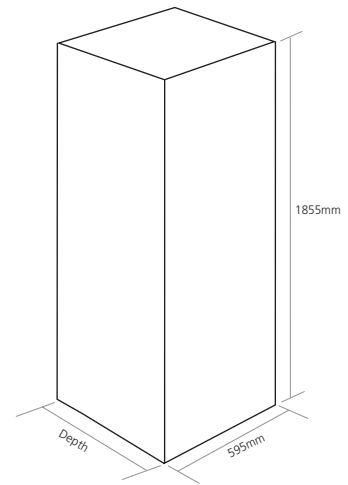
RFL71SS
RFL70WH

RFL71SS/RFL70WH depth:
inc. door inc. handle 685mm
inc. door excl. handle 635mm
excl. door excl. handle 535mm

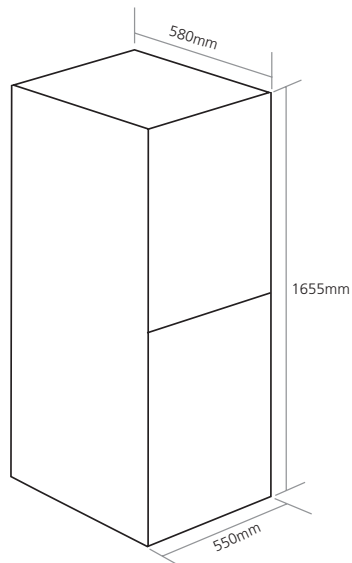


RFZ71SS
RFZ70WH

RFZ71SS/RFZ70WH depth:
inc. door inc. handle 695mm
inc. door excl. handle 645mm
excl. door excl. handle 545mm

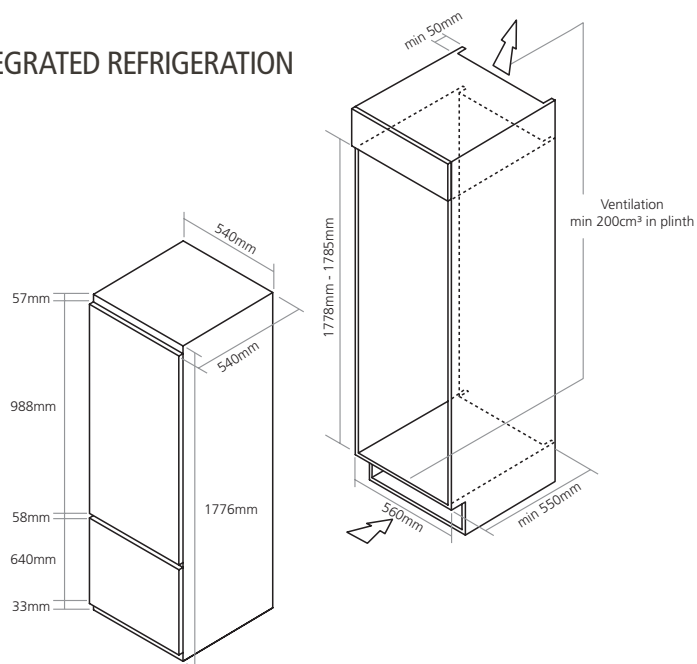


RFF553
RFF552



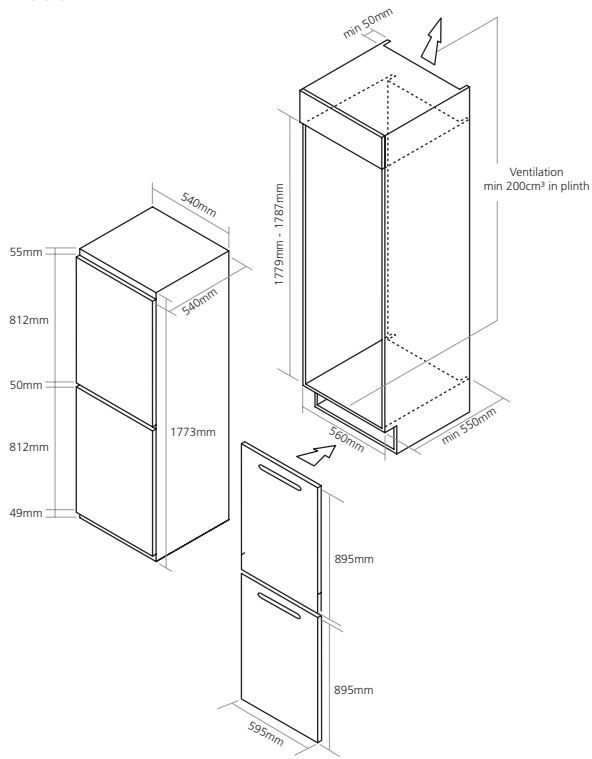
IN-COLUMN INTEGRATED REFRIGERATION

Ri735
Ri737

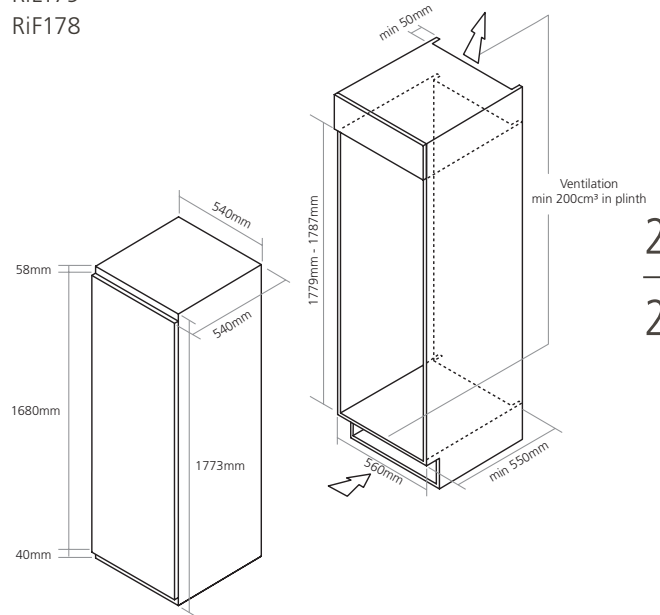


IN-COLUMN INTEGRATED REFRIGERATION

Ri558
Ri556



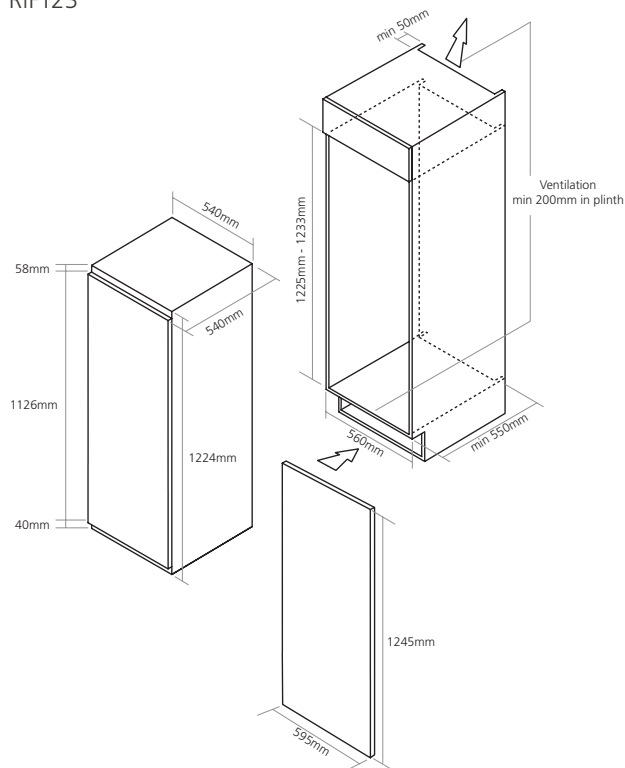
RiR179
RiL179
RiF178



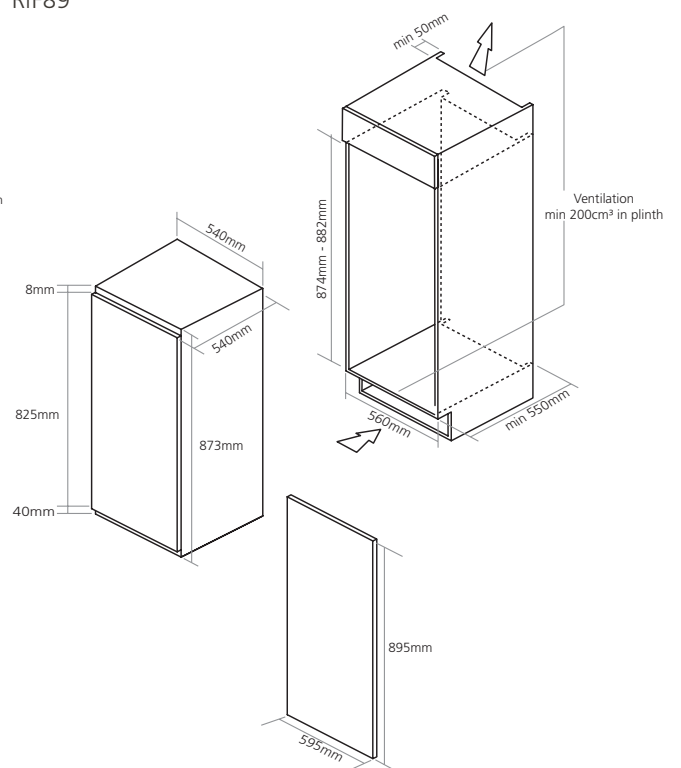
290

291

RiL124
RiF123

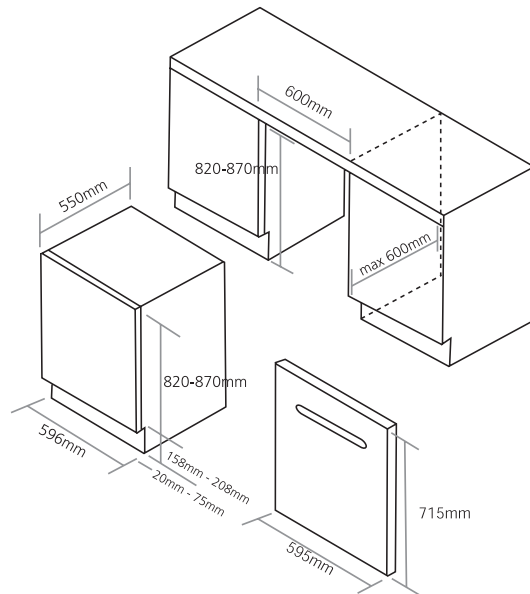


RiL891
RiF89

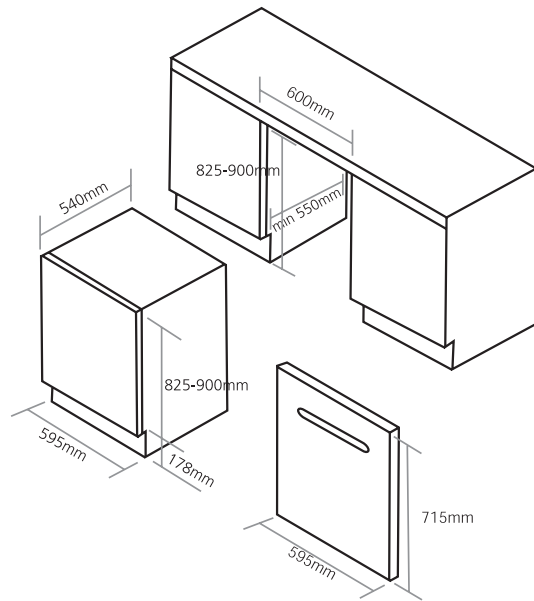


BUILT-UNDER INTEGRATED REFRIGERATION

RBL3
RBF3

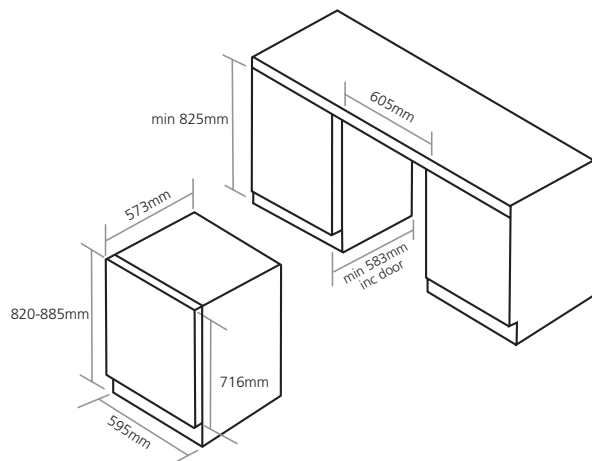


RBR5

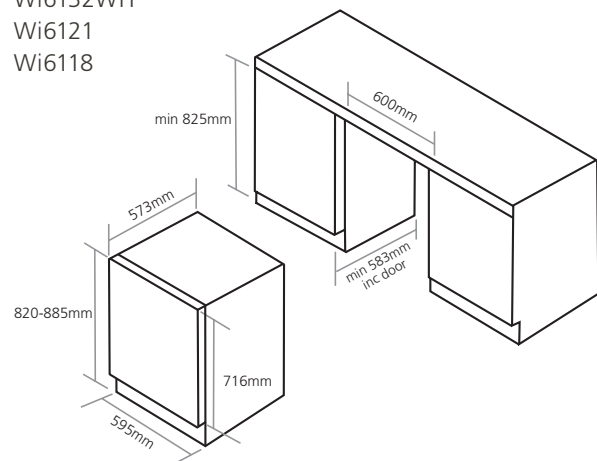


UNDERCOUNTER WINE CABINETS

Wi6229
Wi6230

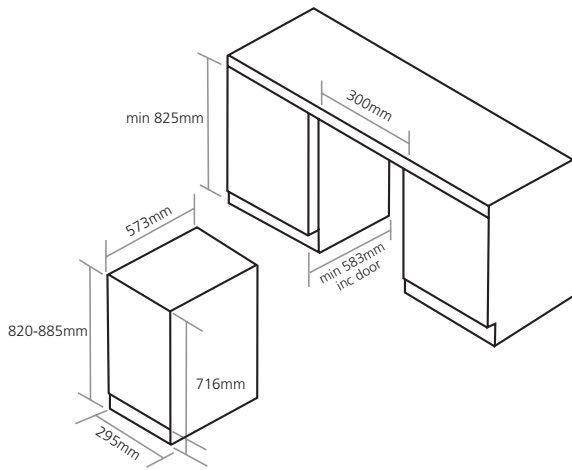


Wi6130
Wi6129
Wi6132WH
Wi6121
Wi6118

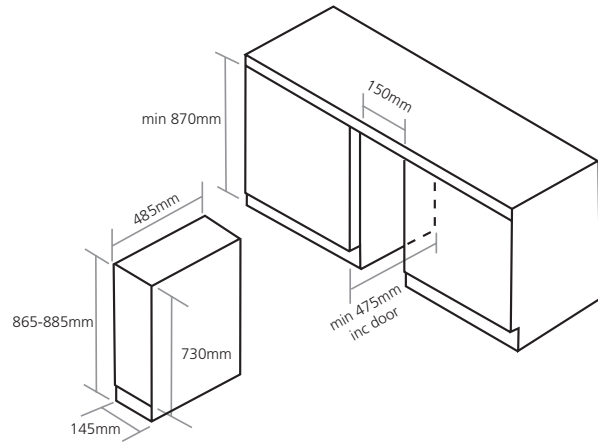


UNDERCOUNTER WINE CABINETS

Wi3122
Wi3121
Wi3122WH



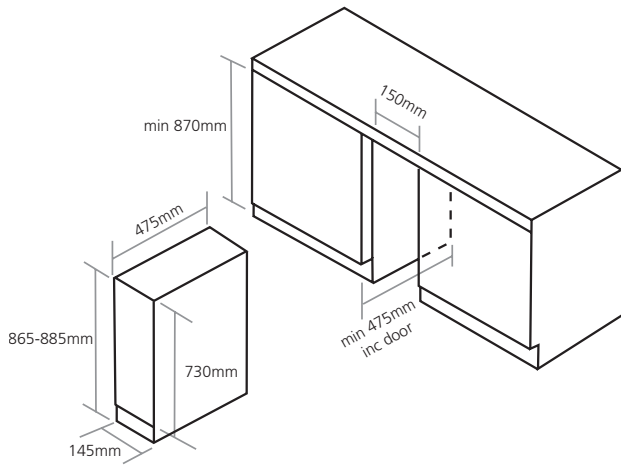
Wi154



292

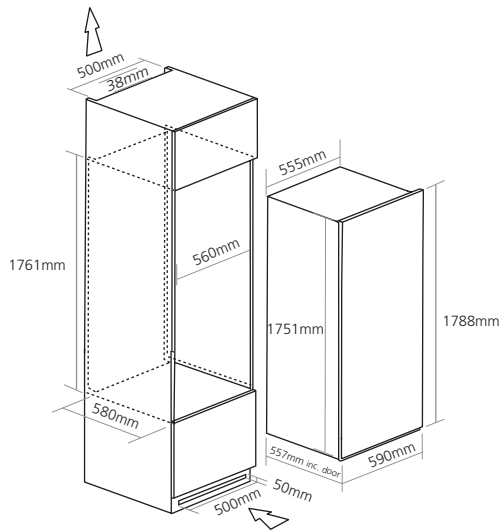
293

Wi155



IN-COLUMN WINE CABINETS

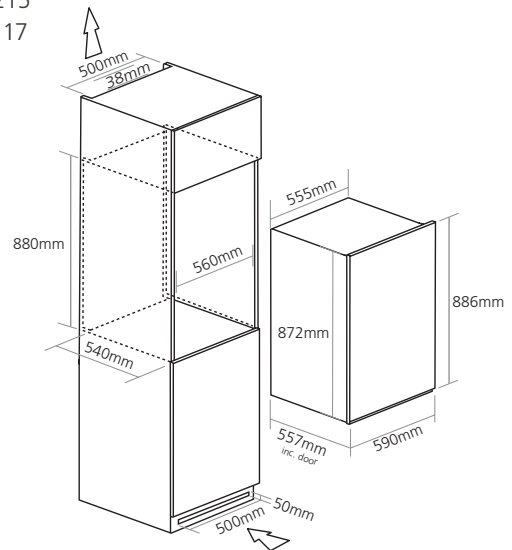
WC178



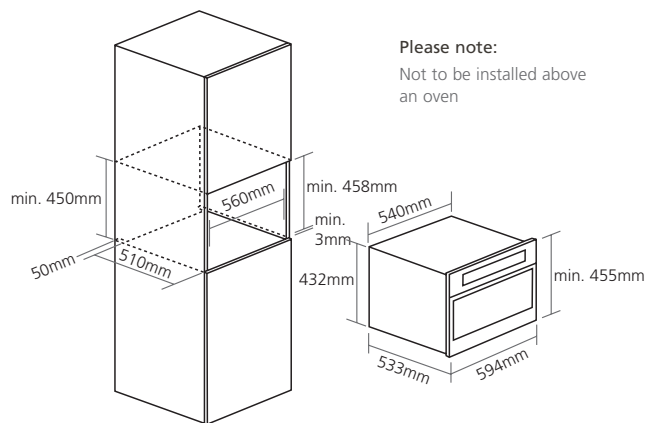
WC6216

WC6215

WC6117

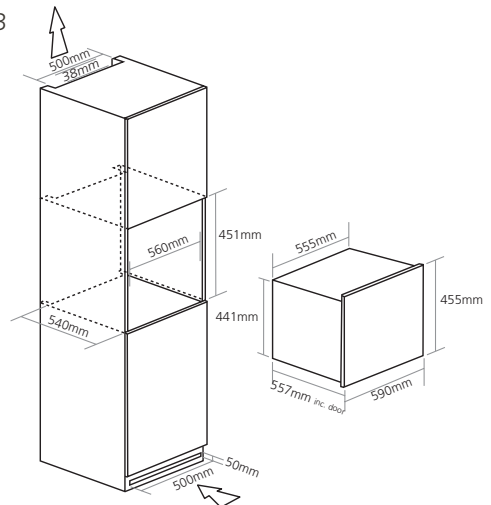


WC470



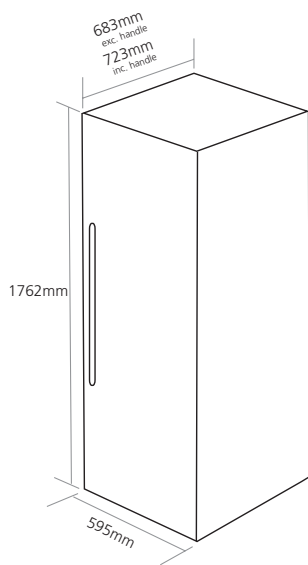
WC6114

WC6113

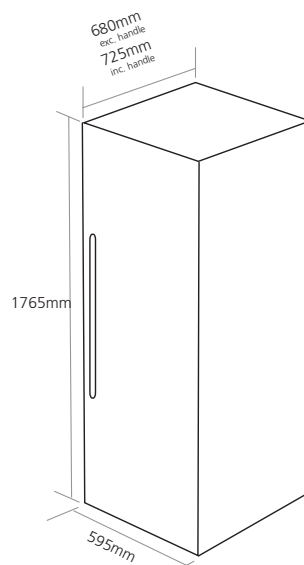


FREESTANDING WINE CABINETS

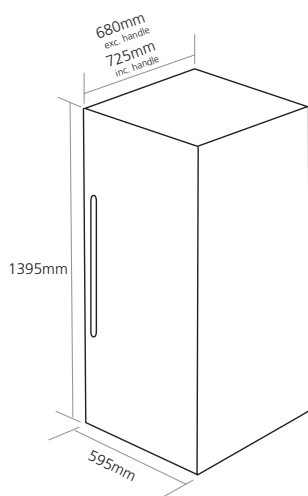
WF1549



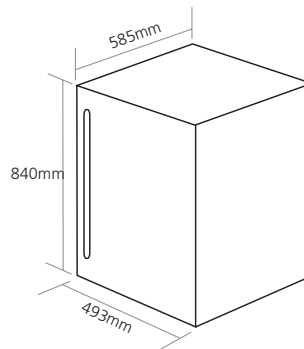
WF1548
WF1544



WF1104



WF333

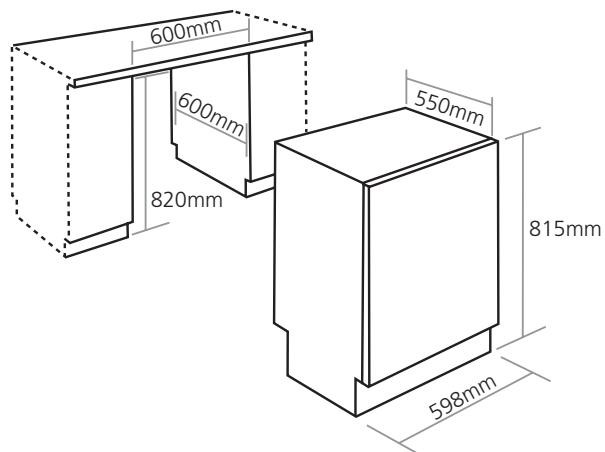


294

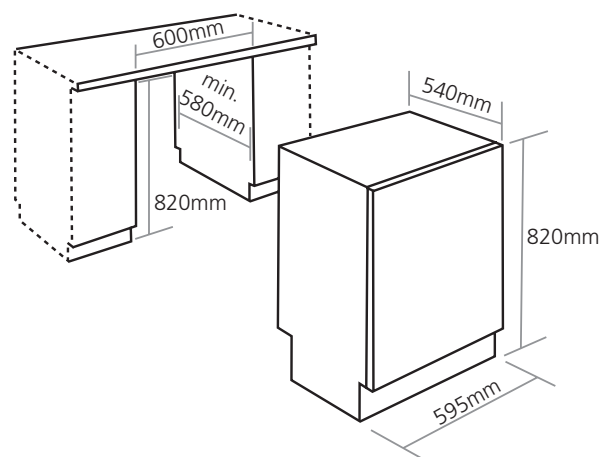
295

FULLY INTEGRATED DISHWASHERS

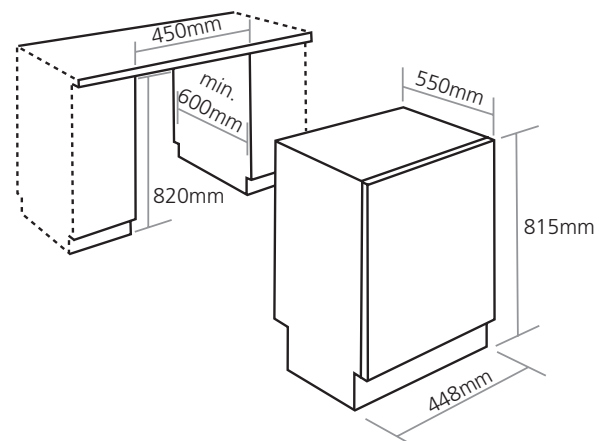
Di629
Di627



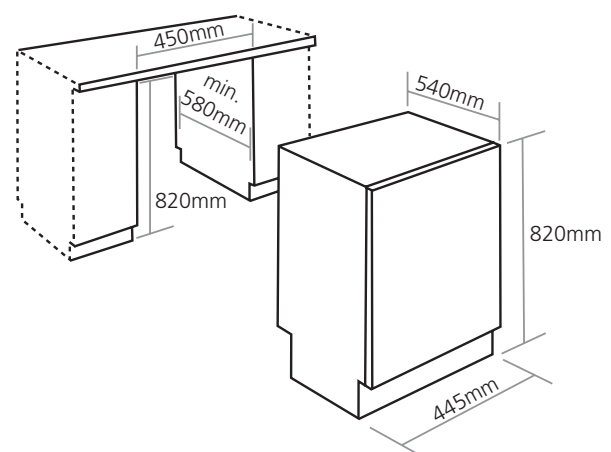
Di625



Di477

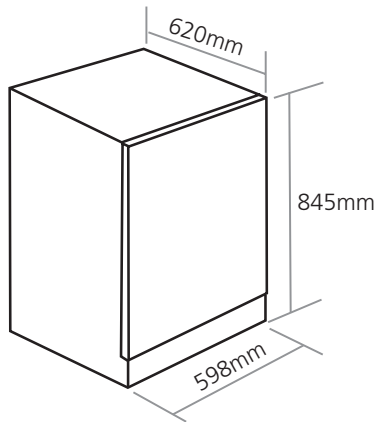


Di476

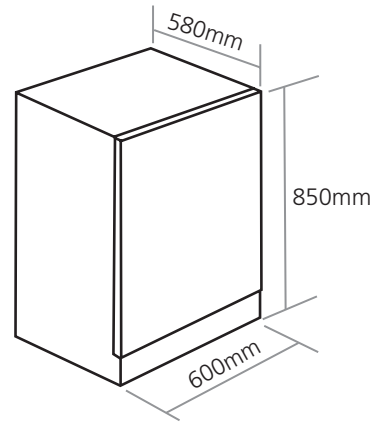


FREESTANDING DISHWASHERS

DF630



DF610

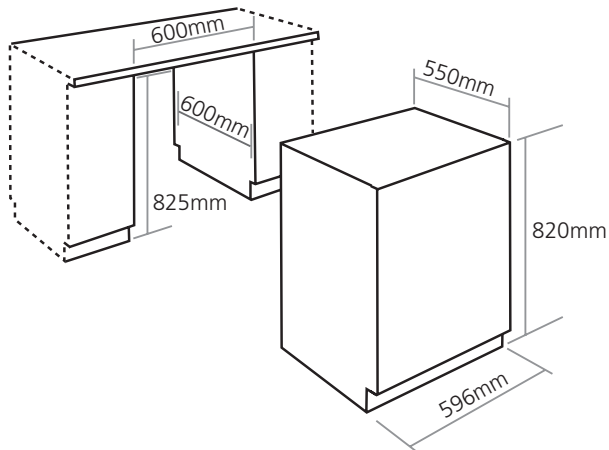


296

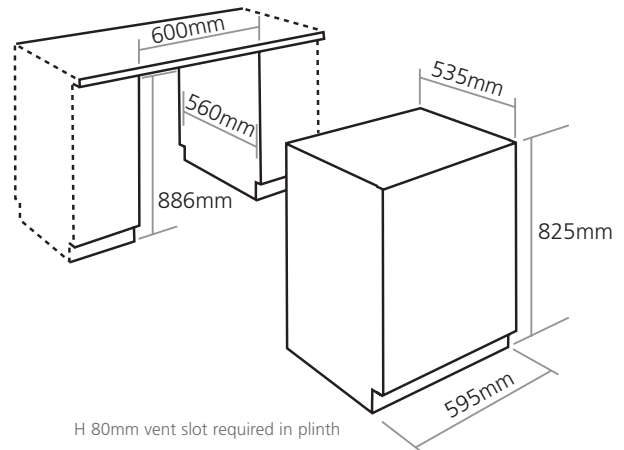
297

LAUNDRY

WMI2006
WDi2206



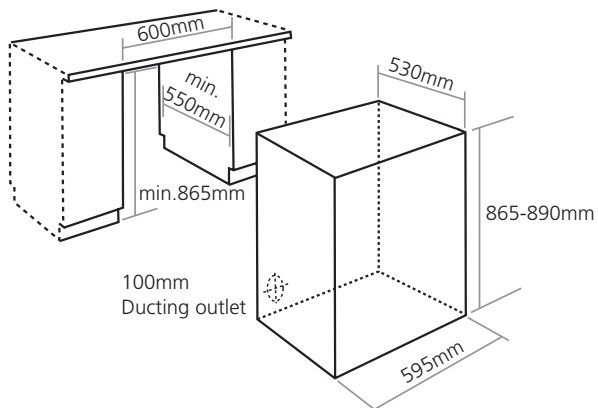
WMI2003
WDi2203



H 80mm vent slot required in plinth

TUMBLE DRYERS

TDi111
TDi101



GUARANTEES AND EXTENDED WARRANTY

All Caple appliances come with a 2 year parts and labour guarantee. You can extend this to provide a full 5 years parts and labour protection.

THE BENEFITS OF TAKING OUT AN EXTENDED GUARANTEE

The Caple Protection plan has been carefully put together in conjunction with one of the UK's leading warranty specialists, Domestic & General Group Limited. Caple customers who take out the extended cover benefit from:

- Up to 5 years parts and labour warranty against breakdown
- A nationwide network of Caple-approved engineers to undertake repairs in the home
- Protection against accidental damage the moment you join
- A replacement appliance should the repair of the original be uneconomic or impossible
- Access to a UK based contact centre, 365 days a year
- Receive a discount of £10 for Direct Debit payments plan enables the cost to be spread over ten months

HERE'S HOW MUCH IT COSTS FOR 5 YEARS COVER

[Which includes the 2 year manufacturers guarantee], either by a one off payment or a Direct Debit [DD] payment plan.

CAPLE REPAIR PLAN PREMIUMS					
	One off	DD		One off	DD
COOKING			COOLING		
Built-in single oven	£90.00	£80.00	American fridge freezer [No food spoilage]	£166.50	£156.50
Built-in single oven, hob and hood	£108.00	£98.00	Freezer [No food spoilage]	£70.00	£60.00
Coffee machine	£99.00	£89.00	Fridge [No food spoilage]	£62.00	£52.00
Combination microwave oven	£54.00	£44.00	Fridge freezer over £500 [No food spoilage]	£117.00	£107.00
Downdraft hood	£91.00	£81.00	Fridge freezer up to £500 [No food spoilage]	£90.00	£80.00
Cooker hood	£49.50	£39.50	Frost free fridge freezer up to £500 [No food spoilage]	£126.00	£116.00
Built in/under double oven	£99.00	£89.00	Wine cabinet	£80.00	£70.00
Double oven, hob and hood	£112.50	£102.50			
Hob	£72.00	£62.00	WASHING		
Microwave oven	£49.50	£39.50	Dishwasher	£108.00	£98.00
Range cooker	£121.50	£111.50	Tumble dryer	£139.50	£129.50
Steam oven	£99.00	£89.00	Washer dryer	£184.50	£174.50
Warming drawer	£72.00	£62.00	Washing machine	£157.50	£147.50

NOTE: Cover is for breakdown only, and includes parts and labour. Premiums include insurance premium tax at 5% [subject to change].

Extended warranty application forms are included with all appliances. Guarantees are void if an appliance is used for commercial purposes. Our extended warranty is not available in Southern Ireland.

This plan does not cover commercial use, cosmetic damage, failure to follow manufacturer's instructions, food loss, damage to any other property or possessions.

AFTER-SALES CUSTOMER SUPPORT

Year 1-2 Caple – telephone 0117 938 7420

Year 3-5 Domestic and General – telephone 0330 123 0998

Calls are charged at the local rate – please check with your provider for actual charges.

Subject to terms and conditions

See more online at
caple.co.uk or visit
our showroom



Fourth Way
Avonmouth
Bristol
BS11 8DW

t: 0117 938 1900
f: 0800 373 163
e: sales@caple.co.uk
caple.co.uk

www.facebook.com/CapleUK
www.twitter.com/caple



design.living

Issue: CA0216

